

SR4D4060 ✓ ACTIVE

SCHRACK | SCHRACK SR4

TE Internal #: 7-1415055-1

Power Relays, Force-Guided, Monostable, DC, 800 mW Coil Power Rating DC, 4500 Ω Coil Resistance, 60 VDC Coil Voltage, SCHRACK SR4

[View on TE.com >](#)



Relays, Contactors & Switches > Relays > Power Relays > Force Guided Relay with 4 contacts



Power Relay Type: **Force-Guided**

Coil Magnetic System: **Monostable, DC**

Coil Power Rating DC: **800 mW**

Coil Resistance: **4500 Ω**

Coil Voltage Rating: **60 VDC**

[All Force Guided Relay with 4 contacts \(28\)](#)

Features

Product Type Features

Power Relay Type	Force-Guided
------------------	--------------

Electrical Characteristics

Insulation Initial Dielectric Between Coil & Contact Class	3500 – 4000 V
Insulation Initial Dielectric Between Open Contacts	1500 Vrms
Contact Limiting Making Current	8 A
Contact Limiting Short-Time Current	8 A
Contact Limiting Continuous Current	8 A
Insulation Creepage Class	8 mm
Coil Power Rating Class	600 – 800 mW
Insulation Initial Dielectric Between Adjacent Contacts	2500 Vrms
Insulation Initial Dielectric Between Contacts & Coil	4000 Vrms
Insulation Creepage Between Contact & Coil	10 mm [.394 in]
Contact Limiting Breaking Current	8 A
Coil Current	.013 A
Coil Magnetic System	Monostable, DC
Coil Power Rating DC	800 mW
Coil Resistance	4500 Ω

Coil Voltage Rating	60 VDC
---------------------	--------

Contact Switching Load (Min)	10mA @ 5V
------------------------------	-----------

Contact Switching Voltage (Max)	400 VAC
---------------------------------	---------

Contact Voltage Rating	250 VAC
------------------------	---------

Body Features

Product Weight	30 g[1.058 oz]
----------------	----------------

Contact Features

Contact Special Features	Force Guided Contacts
--------------------------	-----------------------

Contact Arrangement	2 Form A (NO) + 2 Form B (NC)
---------------------	-------------------------------

Contact Current Class	5 – 10 A
-----------------------	----------

Contact Current Rating (Max)	8 A
------------------------------	-----

Contact Material	AgSnO ₂
------------------	--------------------

Contact Number of Poles	4
-------------------------	---

Relay Terminal Type	PCB-THT
---------------------	---------

Mechanical Attachment

Relay Mounting Type	Printed Circuit Board
---------------------	-----------------------

Dimensions

Length Class (Mechanical)	35 – 40 mm
---------------------------	------------

Insulation Clearance Class	8 mm
----------------------------	------

Height Class (Mechanical)	16 – 20 mm
---------------------------	------------

Insulation Clearance Between Contact & Coil	10 mm[.394 in]
---	----------------

Width Class (Mechanical)	12 – 16 mm
--------------------------	------------

Product Width	13 mm[.512 in]
---------------	----------------

Product Length	40 mm[1.575 in]
----------------	-----------------

Product Height	16.5 mm[.65 in]
----------------	-----------------

Usage Conditions

Environmental Ambient Temperature Class	-25 – 70 °C
---	-------------

Environmental Ambient Temperature (Max)	70 °C[158 °F]
---	---------------

Packaging Features

Packaging Method	Box & Tube, Tube
------------------	------------------

Other

Comment	Well suited for emergency shut-off,
---------	-------------------------------------



machine control, elevator and escalator control, light barrier control

Product Compliance

[For compliance documentation, visit the product page on TE.com>](#)

EU RoHS Directive 2011/65/EU	Compliant
EU ELV Directive 2000/53/EC	Compliant
China RoHS 2 Directive MIIT Order No 32, 2016	No Restricted Materials Above Threshold
EU REACH Regulation (EC) No. 1907/2006	Current ECHA Candidate List: JUNE 2023 (235) Candidate List Declared Against: JUNE 2023 (235) Does not contain REACH SVHC
Halogen Content	Not Low Halogen - contains Br or Cl > 900 ppm.
Solder Process Capability	Wave solder capable to 260°C

Product Compliance Disclaimer

This information is provided based on reasonable inquiry of our suppliers and represents our current actual knowledge based on the information they provided. This information is subject to change. The part numbers that TE has identified as EU RoHS compliant have a maximum concentration of 0.1% by weight in homogenous materials for lead, hexavalent chromium, mercury, PBB, PBDE, DBP, BBP, DEHP, DIBP, and 0.01% for cadmium, or qualify for an exemption to these limits as defined in the Annexes of Directive 2011/65/EU (RoHS2). Finished electrical and electronic equipment products will be CE marked as required by Directive 2011/65/EU. Components may not be CE marked. Additionally, the part numbers that TE has identified as EU ELV compliant have a maximum concentration of 0.1% by weight in homogenous materials for lead, hexavalent chromium, and mercury, and 0.01% for cadmium, or qualify for an exemption to these limits as defined in the Annexes of Directive 2000/53/EC (ELV). Regarding the REACH Regulation, the information TE provides on SVHC in articles for this part number is based on the latest European Chemicals Agency (ECHA) 'Guidance on requirements for substances in articles' posted at this URL: <https://echa.europa.eu/guidance-documents/guidance-on-reach>

Compatible Parts



Also in the Series | **SCHRACK SR4**



Power Relays(27)

Customers Also Bought



TE Part #206966-7
CABLE SHELL CLAMP SIZE 13



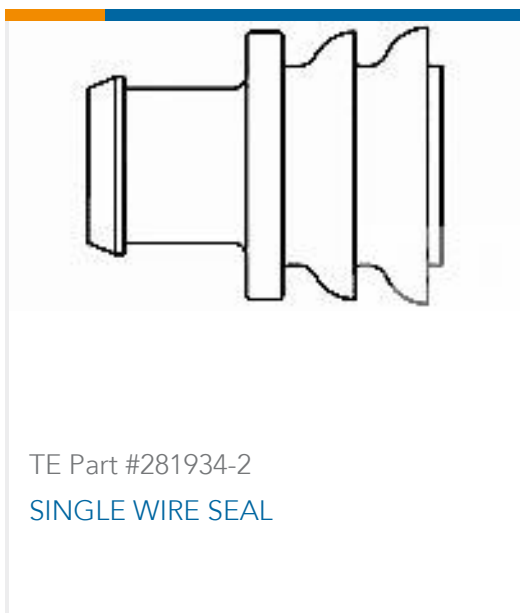
TE Part #W2P
WEDGE LOCK, 2P, REC, GRN, DT



TE Part #282087-1
AMP SUPERSEAL 1.5MM,
CONNECTOR HOUSING



TE Part #0462-201-16141
DEUTSCH Solid Contacts



TE Part #281934-2
SINGLE WIRE SEAL



TE Part #206429-1
CPC PLUG ASSY, 11-4, REV SEX



TE Part #114017-ZZ
SEALING PLUG, SIZE 12/16, WHT

Documents

CAD Files

3D PDF

3D

Customer View Model

[ENG_CVM_CVM_7-1415055-1_G.2d_dxf.zip](#)

English

Customer View Model

[ENG_CVM_CVM_7-1415055-1_G.3d_igs.zip](#)

English

Customer View Model

[ENG_CVM_CVM_7-1415055-1_G.3d_stp.zip](#)

English

By downloading the CAD file I accept and agree to the [Terms and Conditions](#) of use.

Datasheets & Catalog Pages

[SR4_D/M](#)

English



Product Specifications

Definitions General Purpose Relays

English

Agency Approvals

VDE Certificate

English