

# P40P42A12P1-240 ! PENDING OBSOLESCENCE

Potter & Brumfield | Potter & Brumfield P40

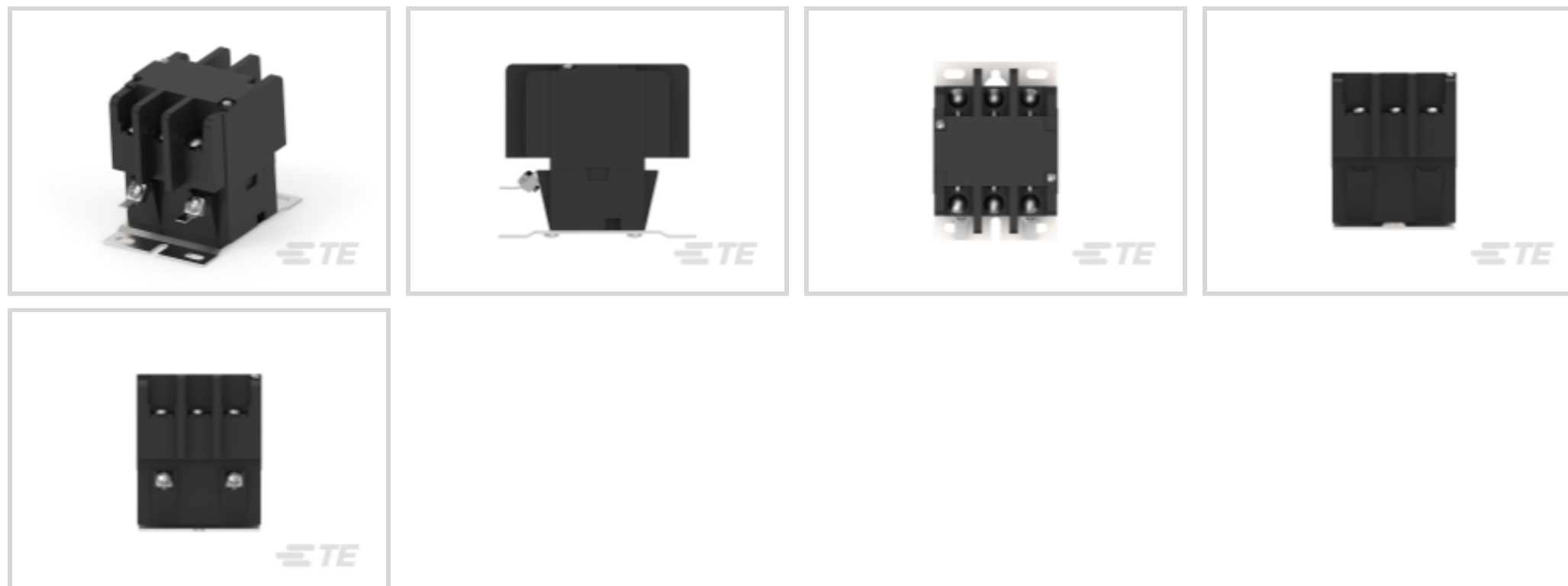
TE Internal #: 7-1393132-2

TE Internal Description: P40P42A12P1-240=CONTACTORS

[View on TE.com >](#)



Relays, Contactors & Switches > Contactors > Definite Purpose Contactors



Pole Configuration: **3**

Definite Purpose Contactor Coil Voltage Rating: **208 – 240 VAC**

Definite Purpose Contactor Contact Current Rating: **40 A**

Definite Purpose Contactor Mounting Type: **Panel**

Definite Purpose Contactor Contact Arrangement: **3 Form X, 3PST-NO-DM**

## Features

### Product Type Features

Molded	No
Product Category	Electromechanical Relays
Product Type	Contactors
Arc Cover	With
Product Classification	Relays - Contactors
Contactors Type	Definite Purpose
Terminal Configuration	10-32 Screw

### Configuration Features

Auxiliary Switch Contact Arrangement	Without
--------------------------------------	---------

### Electrical Characteristics

Actuating System	AC
Coil Voltage (Max)	240 VAC
Definite Purpose Contactor Coil Voltage Rating	208 – 240 VAC
Definite Purpose Contactor Coil Resistance	450 Ω
Definite Purpose Contactor Contact Switching Voltage (Max)	600 VAC

### Contact Features

Contact Base Material	Silver Cadmium Oxide
Pole Configuration	3
Definite Purpose Contactor Contact Current Rating	40 A
Definite Purpose Contactor Contact Arrangement	3 Form X, 3PST-NO-DM

### Termination Features

Coil Termination	8-32 Screw, Quick Connect
------------------	---------------------------

### Mechanical Attachment

Mounting Plate	With
Definite Purpose Contactor Mounting Type	Panel

### Dimensions

Wire Size	8.37 mm <sup>2</sup>
-----------	----------------------

### Industry Standards

UL Flammability Rating	UL 94V-0
Agency Approval	CSA Certified, UL Recognized

### Packaging Features

Packaging Method	Individual
------------------	------------

## Product Compliance

[For compliance documentation, visit the product page on TE.com>](#)

EU RoHS Directive 2011/65/EU	Compliant with Exemptions
EU ELV Directive 2000/53/EC	Not Compliant
China RoHS 2 Directive MIIT Order No 32, 2016	Restricted Materials Above Threshold
EU REACH Regulation (EC) No. 1907/2006	<p>Current ECHA Candidate List: JUNE 2023 (235)</p> <p>Candidate List Declared Against: JUNE 2022 (224)</p> <p>SVHC &gt; Threshold:</p> <p>Cadmium oxide (10.81% in Component Part)</p> <p><b>Article Safe Usage Statements:</b> Use personal protective equipment as required. Do not eat, drink or smoke when using this product. Recycle if possible and dispose of the article by following all applicable governmental regulations relevant to your geographic location.</p>
Halogen Content	Not Yet Reviewed for halogen content
Solder Process Capability	Not applicable for solder process capability


Product Compliance Disclaimer

This information is provided based on reasonable inquiry of our suppliers and represents our current actual knowledge based on the information they provided. This information is subject to change. The part numbers that TE has identified as EU RoHS compliant have a maximum concentration of 0.1% by weight in homogenous materials for lead, hexavalent chromium, mercury, PBB, PBDE, DBP, BBP, DEHP, DIBP, and 0.01% for cadmium, or qualify for an exemption to these limits as defined in the Annexes of Directive 2011/65/EU (RoHS2). Finished electrical and electronic equipment products will be CE marked as required by Directive 2011/65/EU. Components may not be CE marked. Additionally, the part numbers that TE has identified as EU ELV compliant have a maximum concentration of 0.1% by weight in homogenous materials for lead, hexavalent chromium, and mercury, and 0.01% for cadmium, or qualify for an exemption to these limits as defined in the Annexes of Directive 2000/53/EC (ELV). Regarding the REACH Regulation, the information TE provides on SVHC in articles for this part number is based on the latest European Chemicals Agency (ECHA) 'Guidance on requirements for substances in articles' posted at this URL: <https://echa.europa.eu/guidance-documents/guidance-on-reach>

## Compatible Parts



TE Part # CAT-P592-SP118  
PIDG Spade Tongue Terminals



TE Part # CAT-P592-R472A  
PIDG Ring Tongue Terminals

## Also in the Series

## Customers Also Bought



TE Part #206486-1  
CPC RECPT ASSEMBLY SIZE 11-9



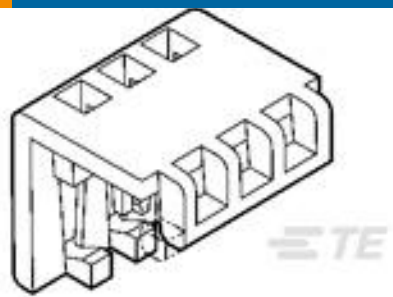
TE Part #205205-7  
CRIMP SNAP RCPT ASSY, SIZE 2



TE Part #3-640440-8  
08P MTA100 CONN ASSY 22AWG RED



TE Part #66569-3  
20DF SOCKET CONT. L.P.



TE Part #643075-2  
02P MTA100 MOLDED COVER



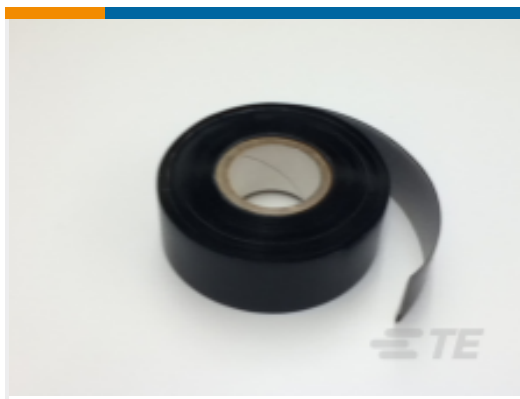
TE Part #61188-1  
250 FASTON FLAG REC 16-12 AWG TPBZ



TE Part #5553636-3  
KIT, HDW, EMI, 050/085, STD/METRIC



TE Part #8-1393211-6  
T92S11A22-24



TE Part #890901-006  
S1030



TE Part #5-1814400-2  
SMA R/A PCB Skt GZD

## Documents

### CAD Files

[3D PDF](#)

3D

Customer View Model

[ENG\\_CVM\\_CVM\\_7-1393132-2\\_D.2d\\_dxf.zip](#)

English

Customer View Model

[ENG\\_CVM\\_CVM\\_7-1393132-2\\_D.3d\\_igs.zip](#)

English

Customer View Model

[ENG\\_CVM\\_CVM\\_7-1393132-2\\_D.3d\\_stp.zip](#)

English

By downloading the CAD file I accept and agree to the [Terms and Conditions](#) of use.

### Datasheets & Catalog Pages

[P30/P40 Definite Purpose Magnetic Contactor 30/40 Ampere Full Load 40/50 Ampere Resistive AC & DC Coils](#)

English

### Product Specifications

[Definitions General Purpose Relays](#)

English