

# SSRM-600D65 ✓ ACTIVE

Potter & Brumfield | Potter & Brumfield SSRM

TE Internal #: 7-1393030-4

Power Relays, Solid State, 1 Form A (SPST-NO), DIN Rail, Potter & Brumfield SSRM

[View on TE.com >](#)



Relays, Contactors & Switches > Relays > Power Relays > Solid State Relays, P&B SSRM-Series



Power Relay Type: **Solid State**

Contact Arrangement: **1 Form A (SPST-NO)**

Relay Mounting Type: **DIN Rail**

[All Solid State Relays, P&B SSRM-Series \(6\)](#)

## Features

### Product Type Features

Output Type	AC
Power Relay Type	Solid State

### Configuration Features

Output Switching	Zero
------------------	------

### Electrical Characteristics

Input Voltage Typical	4 VDC
Output Voltage (Max)	660 V
Output Voltage Rating (AC Relays)	48 – 660 Vrms
Output Current Rating	.25 – 65 Arms
Output Current (Min)	.25 A
Insulation Initial Dielectric Between Contacts & Coil	4000 Vrms

### Body Features

Product Weight	479 g[16.9 oz]
Case Color	Black



### Contact Features

Switch Arrangement	1 Form A (SPST-NO)
Contact Arrangement	1 Form A (SPST-NO)

### Termination Features

Relay Termination Type	Finger-Safe (IP20) Screw Clamps
------------------------	---------------------------------

### Mechanical Attachment

Coupling	Optical
Relay Mounting Type	DIN Rail

### Housing Features

Relay Housing Style	DIN Mount with Integral Heatsink
---------------------	----------------------------------

### Dimensions

Dimensions (L x W x H) (Approximate)	76.2 x 5.1 x 12.5 mm[3 x 1.75 x 4.3 in]
--------------------------------------	---

### Usage Conditions

Operating Temperature Range	-40 – 80 °C
-----------------------------	-------------

### Operation/Application

R-Switch & slimSSR Relays	Yes
---------------------------	-----

## Product Compliance

[For compliance documentation, visit the product page on TE.com>](#)

EU RoHS Directive 2011/65/EU	Compliant with Exemptions
EU ELV Directive 2000/53/EC	Not Yet Reviewed
China RoHS 2 Directive MIIT Order No 32, 2016	Restricted Materials Above Threshold
EU REACH Regulation (EC) No. 1907/2006	Current ECHA Candidate List: JUNE 2023 (235) Candidate List Declared Against: JUNE 2023 (235) SVHC > Threshold: Pb (88% in Component Part) <b>Article Safe Usage Statements:</b> Do not eat, drink or smoke when using this product. Wash thoroughly after handling. Recycle if possible and dispose of the article by following all applicable governmental regulations relevant to your geographic location.
Halogen Content	Low Halogen - Br, Cl, F, I < 900 ppm per homogenous material. Also BFR/CFR/PVC Free
Solder Process Capability	Not applicable for solder process capability

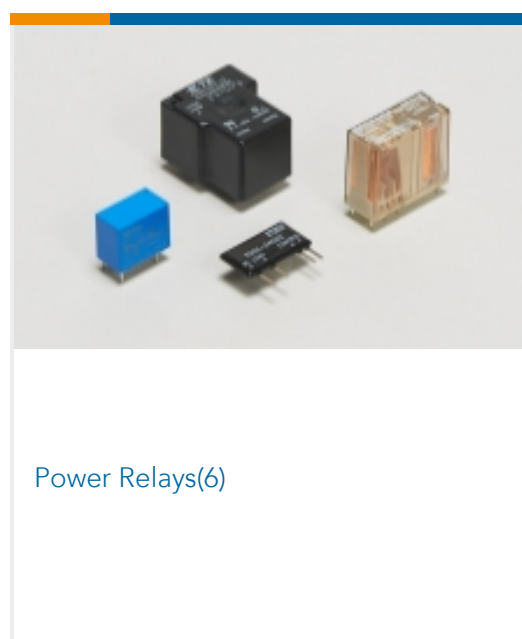
Product Compliance Disclaimer

This information is provided based on reasonable inquiry of our suppliers and represents our current actual knowledge based on the information they provided. This information is subject to change. The part numbers that TE has identified as EU RoHS compliant have a maximum concentration of 0.1% by weight in homogenous materials for lead, hexavalent chromium, mercury, PBB, PBDE, DBP, BBP, DEHP, DIBP, and 0.01% for cadmium, or qualify for an exemption to these limits as defined in the Annexes of Directive 2011/65/EU (RoHS2). Finished electrical and electronic equipment products will be CE marked as required by Directive 2011/65/EU. Components may not be CE marked. Additionally, the part numbers that TE has identified as EU ELV compliant have a maximum concentration of 0.1% by weight in homogenous materials for lead, hexavalent chromium, and mercury, and 0.01% for cadmium, or qualify for an exemption to these limits as defined in the Annexes of Directive 2000/53/EC (ELV). Regarding the REACH Regulation, the information TE provides on SVHC in articles for this part number is based on the latest European Chemicals Agency (ECHA) 'Guidance on requirements for substances in articles' posted at this URL: <https://echa.europa.eu/guidance-documents/guidance-on-reach>

## Compatible Parts

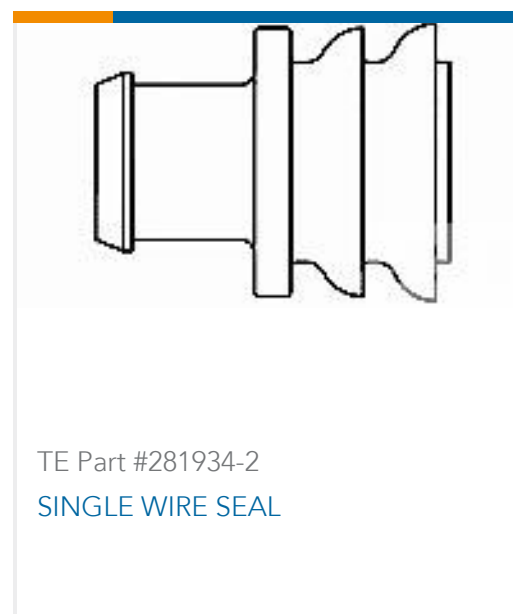


## Also in the Series | Potter & Brumfield SSRM



## Customers Also Bought





## Documents

### CAD Files

#### Customer View Model

[ENG\\_CVM\\_CVM\\_7-1393030-4\\_A1.3d\\_stp.zip](#)

English

#### Customer View Model

[ENG\\_CVM\\_CVM\\_7-1393030-4\\_A1.2d\\_dxf.zip](#)

English

#### Customer View Model

[ENG\\_CVM\\_CVM\\_7-1393030-4\\_A1.3d\\_igs.zip](#)

English

### 3D PDF

3D

By downloading the CAD file I accept and agree to the [Terms and Conditions](#) of use.

### Datasheets & Catalog Pages

#### Potter & Brumfield SSRK SSRM Series

English

#### Solid State Relay SSRM Series Data Sheet

English

#### SSRM\_Datasheet

English

### Agency Approvals

#### UL

English