

69218 ✓ ACTIVE

AMP

TE Internal #: 69218

Hand Crimping Tools, Premium Crimp Tooling, Removable /Interchangeable, TE Product Specification (114-) / MIL Spec, Battery / Hydraulic / Manual

[View on TE.com >](#)



Application Tooling > Hand Crimping Tools



Tool Grade: Premium Crimp Tooling

Die Sets Type: Removable/Interchangeable

Specification Type: MIL Spec, TE Product Specification (114-)

TE Certification: Yes – Certificate Included

Power Technology Type: Battery, Hydraulic, Manual

## Features

### Other

Crimp Form-Wire Barrel Type	Closed Barrel - W Crimp
Tool Grade	Premium Crimp Tooling
Die Sets Type	Removable/Interchangeable
Specification Type	MIL Spec, TE Product Specification (114-)
TE Certification	Yes – Certificate Included
Power Technology Type	Battery, Hydraulic, Manual
Tooling Type	Die Assembly

## Product Compliance

[For compliance documentation, visit the product page on TE.com>](#)

EU RoHS Directive 2011/65/EU	Compliant
EU ELV Directive 2000/53/EC	Out of Scope
China RoHS 2 Directive MIIT Order No 32, 2016	No Restricted Materials Above Threshold
EU REACH Regulation (EC) No. 1907/2006	Current ECHA Candidate List: JUNE 2023 (235) Candidate List Declared Against: JAN 2021 (211) Does not contain REACH SVHC
Halogen Content	Low Halogen - Br, Cl, F, I < 900 ppm per homogenous material. Also BFR/CFR/PVC



Free



Solder Process Capability

Not reviewed for solder process capability

Product Compliance Disclaimer

This information is provided based on reasonable inquiry of our suppliers and represents our current actual knowledge based on the information they provided. This information is subject to change. The part numbers that TE has identified as EU RoHS compliant have a maximum concentration of 0.1% by weight in homogenous materials for lead, hexavalent chromium, mercury, PBB, PBDE, DBP, BBP, DEHP, DIBP, and 0.01% for cadmium, or qualify for an exemption to these limits as defined in the Annexes of Directive 2011/65/EU (RoHS2). Finished electrical and electronic equipment products will be CE marked as required by Directive 2011/65/EU. Components may not be CE marked. Additionally, the part numbers that TE has identified as EU ELV compliant have a maximum concentration of 0.1% by weight in homogenous materials for lead, hexavalent chromium, and mercury, and 0.01% for cadmium, or qualify for an exemption to these limits as defined in the Annexes of Directive 2000/53/EC (ELV). Regarding the REACH Regulation, the information TE provides on SVHC in articles for this part number is based on the latest European Chemicals Agency (ECHA) 'Guidance on requirements for substances in articles' posted at this URL: <https://echa.europa.eu/guidance-documents/guidance-on-reach>

### Compatible Parts

 <p>TE Part # 33468 TERMINAL,SOLIS R 4 10</p>	 <p>TE Part # 320743 TERMINAL,SOLIS R 4 7/16</p>	 <p>TE Part # 34323 SPLICE,SOLIS BUTT 4</p>	 <p>TE Part # 33471 TERMINAL,SOLIS R 4 3/8</p>
 <p>TE Part # 33469 TERMINAL,SOLIS R 4 1/4</p>	 <p>TE Part # 33470 TERMINAL,SOLIS R 4 5/16</p>	 <p>TE Part # 34320 SPLICE,SOLIS PARA 4</p>	 <p>TE Part # 160075 SOLIS 4 R M10</p>
 <p>TE Part # 2-31807-3 TERMINAL, SOLIS R 8 10</p>	 <p>TE Part # 320238 SPLICE,SOLIS BUTT 4</p>	 <p>TE Part # 696642-1 KIT-4,3/8,NI+RT555-.500X1.50</p>	 <p>TE Part # 35670 TERMINAL,SOLIS R 4 3/4</p>




TE Part # 160119  
SOL. RING TONGUE, #4, M5



TE Part # 1958388-1  
STRA,RCT,4,M5,NI



TE Part # 35669  
TERMINAL,SOLIS R 4 5/8



TE Part # 1958439-2  
STRA,RT,4 AWG,M4/#8,HR,AU



TE Part # 1752868-1  
HYP10 12-350MCM 18T HEAD



TE Part # 69099  
HYP8 12-350MCM 18T HEAD



TE Part # 31812  
TERMINAL,SOLIS R 4 3/8



TE Part # 35668  
TERMINAL,SOLIS R 4 1/2

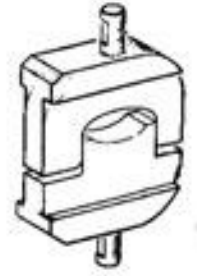
### Customers Also Bought



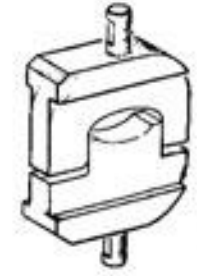
TE Part #59170  
T-HEAD PIDG SH 26-14 ASSY



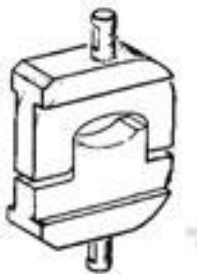
TE Part #324447  
SPLICE,AMPOWER PARA 250MCM




TE Part #45442  
HYP8/10 SOLIS 3/0AWG DIE SET



TE Part #69217  
HYP8/10 SOLIS 6AWG DIE SET



TE Part #45439  
HYP8/10 SOLIS 2/0AWG DIE SET



TE Part #60251-2  
SPADE TERMINAL 18-14 AWG TPBR



TE Part #ZPF000000000147508  
DMC-M 99-03 BN



TE Part #ZPF000000000163973  
DMC-M 99-03 CN

TE Part #169403  
LOCATOR

TE Part #169406  
STABILIZER

### Documents



### Datasheets & Catalog Pages

[AT-Hydraulic Crimp Tooling Solutions-1654519](#)

English

### Bottoming Dies

English

---

### Instruction Sheets

[Instruction Sheet \(U.S.\)](#)

English