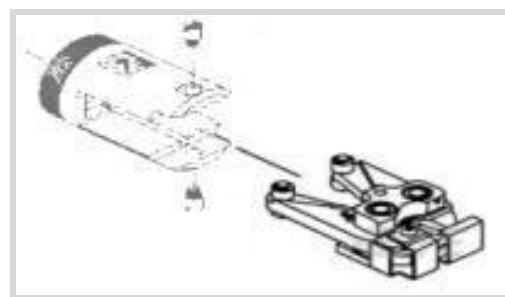


679305-1 ✓ ACTIVE

TE Internal #: 679305-1

TE Internal Description: PLATFORM & TETRA CRMP HD ASSY

[View on TE.com >](#)



## Product Compliance

[For compliance documentation, visit the product page on TE.com>](#)

EU RoHS Directive 2011/65/EU	Out of Scope
EU ELV Directive 2000/53/EC	Out of Scope
China RoHS 2 Directive MIIT Order No 32, 2016	Not reviewed for China RoHS compliance
EU REACH Regulation (EC) No. 1907/2006	Current ECHA Candidate List: JUNE 2023 (235) Candidate List Declared Against: JUL 2021 (219) Does not contain REACH SVHC
Halogen Content	Not Yet Reviewed for halogen content
Solder Process Capability	Not reviewed for solder process capability

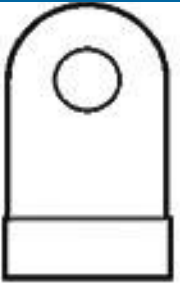
### Product Compliance Disclaimer

This information is provided based on reasonable inquiry of our suppliers and represents our current actual knowledge based on the information they provided. This information is subject to change. The part numbers that TE has identified as EU RoHS compliant have a maximum concentration of 0.1% by weight in homogenous materials for lead, hexavalent chromium, mercury, PBB, PBDE, DBP, BBP, DEHP, DIBP, and 0.01% for cadmium, or qualify for an exemption to these limits as defined in the Annexes of Directive 2011/65/EU (RoHS2). Finished electrical and electronic equipment products will be CE marked as required by Directive 2011/65/EU. Components may not be CE marked. Additionally, the part numbers that TE has identified as EU ELV compliant have a maximum concentration of 0.1% by weight in homogenous materials for lead, hexavalent chromium, and mercury, and 0.01% for cadmium, or qualify for an exemption to these limits as defined in the Annexes of Directive 2000/53/EC (ELV). Regarding the REACH Regulation, the information TE provides on SVHC in articles for this part number is based on the latest European Chemicals Agency (ECHA) 'Guidance on requirements for substances in articles' posted at this URL: <https://echa.europa.eu/guidance-documents/guidance-on-reach>

## Compatible Parts



## Customers Also Bought



TE Part #36270  
TERMINAL,SOLIS FLAG R 12-10 8



TE Part #165167  
PG WIRE PIN 22-16



TE Part #CB5278-000  
SST-12-11/FR/97



TE Part #34114  
SOLIS R 22-16COMM22-18MIL 5/16




TE Part #33457  
TERMINAL,SOLIS R 12-10 10



TE Part #925552-1  
AM WIRE PIN 20-17 .013 BR



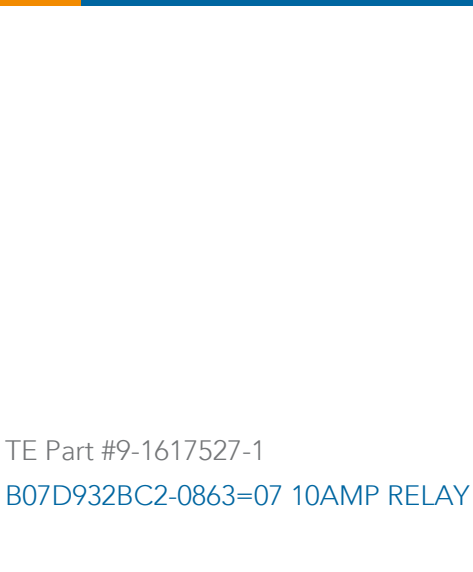
TE Part #160631-6  
SUB MINIATURE AMPLIVAR SPLICE



TE Part #YDTS33W25RV0010000  
DUST COVER ASSEM



TE Part #NB14134001  
VERSAFIT-1/2-0-SP



TE Part #9-1617527-1  
B07D932BC2-0863=07 10AMP RELAY

## Documents

### Instruction Sheets

[Instruction Sheet \(U.S.\)](#)

English