

66563-6 ✓ ACTIVE

AMP | AMP Type III+

TE Internal #: 66563-6

Power Contacts, Contact, Tin-Lead, 24 – 20 AWG Wire Size, .2 – .6 mm<sup>2</sup> Wire Size, Wire & Cable, Crimp, Power & Signal, Socket, AMP Type III+

[View on TE.com >](#)



Connectors > Power Connectors > Power Contacts



Power Contact Type: **Contact**

Contact Mating Area Plating Material: **Tin-Lead**

Wire Size: **.2 – .6 mm<sup>2</sup>**

Connector & Contact Terminates To: **Wire & Cable**

## Features

### Product Type Features

Power Contact Type	Contact
Connector & Contact Terminates To	Wire & Cable

### Contact Features

Contact Size	Size 16
Barrel Type	Open
Contact Mating Area Plating Material	Tin-Lead
Contact Current Rating (Max)	13 A
Contact Type	Socket
Contact Retention Within Housing	With
Mating Pin Diameter	1.57 mm[.062 in]
Contact Base Material	Brass
Contact Mating Area Plating Material Thickness	2.54 µm[100 µin]
Wire Contact Termination Area Plating Thickness	2.54 µm[100 µin]
Wire Contact Termination Area Plating Material	Tin-Lead
Wire Contact Termination Area Plating Material Finish	Bright
Contact Orientation	Straight
Contact Underplating Material	Nickel
Contact Underplating Material Thickness	.76 µm[30 µin]

### Termination Features



Termination Method to Wire &amp; Cable

Crimp

### Mechanical Attachment

Wire Insulation Support

With

### Dimensions

Wire Size

.2 – .6 mm<sup>2</sup>

Compatible Insulation Diameter Range

1.52 – 3.05 mm [.06 – .12 in]

### Usage Conditions

Operating Temperature Range

-55 – 90 °C [-67 – 194 °F]

### Operation/Application

Circuit Application

Power &amp; Signal

### Identification Marking

Contact Color Code

Yellow

### Packaging Features

Packaging Quantity

4000

Packaging Method

Reel, Reverse Reel

### Other

Power Connectors Comment

Contacts can only be used in Metrimate, Series 1 (Arr. 23-24), Series 4 (Arr. 23-13M, 23-16M, 23-22M), and VDE connectors.

## Product Compliance

[For compliance documentation, visit the product page on TE.com>](#)

EU RoHS Directive 2011/65/EU

Not Compliant

EU ELV Directive 2000/53/EC

Compliant with Exemptions

China RoHS 2 Directive MIIT Order No 32, 2016

Restricted Materials Above Threshold

EU REACH Regulation (EC) No. 1907/2006

Current ECHA Candidate List: JUNE 2023 (235)

Candidate List Declared Against: JUNE 2023 (235)

SVHC > Threshold:

Pb (13% in Component Part)

**Article Safe Usage Statements:**

Do not eat, drink or smoke when using this product. Wash thoroughly after handling. Recycle if possible and dispose of the article by following all applicable governmental regulations relevant to your geographic location.

Halogen Content

Low Halogen - Br, Cl, F, I < 900 ppm per homogenous material. Also BFR/CFR/PVC Free

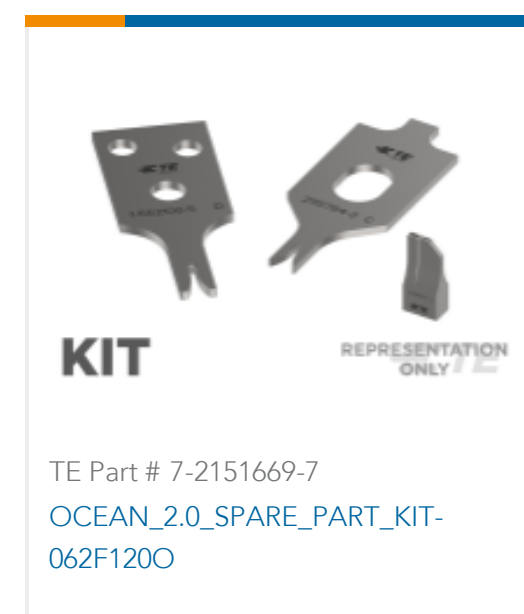
## Solder Process Capability

Not applicable for solder process capability

## Product Compliance Disclaimer

This information is provided based on reasonable inquiry of our suppliers and represents our current actual knowledge based on the information they provided. This information is subject to change. The part numbers that TE has identified as EU RoHS compliant have a maximum concentration of 0.1% by weight in homogenous materials for lead, hexavalent chromium, mercury, PBB, PBDE, DBP, BBP, DEHP, DIBP, and 0.01% for cadmium, or qualify for an exemption to these limits as defined in the Annexes of Directive 2011/65/EU (RoHS2). Finished electrical and electronic equipment products will be CE marked as required by Directive 2011/65/EU. Components may not be CE marked. Additionally, the part numbers that TE has identified as EU ELV compliant have a maximum concentration of 0.1% by weight in homogenous materials for lead, hexavalent chromium, and mercury, and 0.01% for cadmium, or qualify for an exemption to these limits as defined in the Annexes of Directive 2000/53/EC (ELV). Regarding the REACH Regulation, the information TE provides on SVHC in articles for this part number is based on the latest European Chemicals Agency (ECHA) 'Guidance on requirements for substances in articles' posted at this URL: <https://echa.europa.eu/guidance-documents/guidance-on-reach>

## Compatible Parts

Also in the Series | **AMP Type III+**

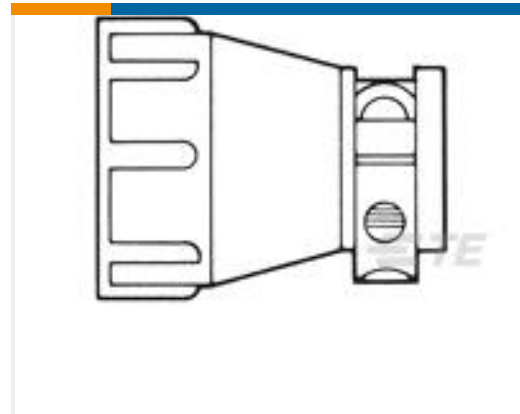
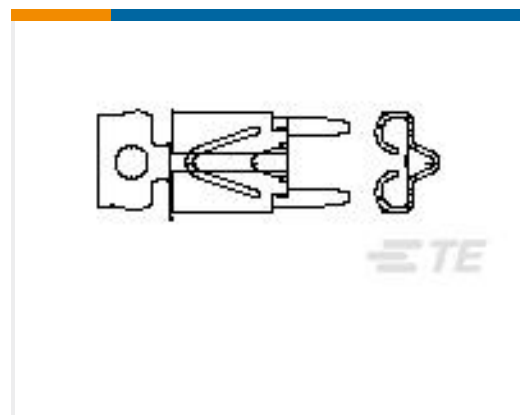
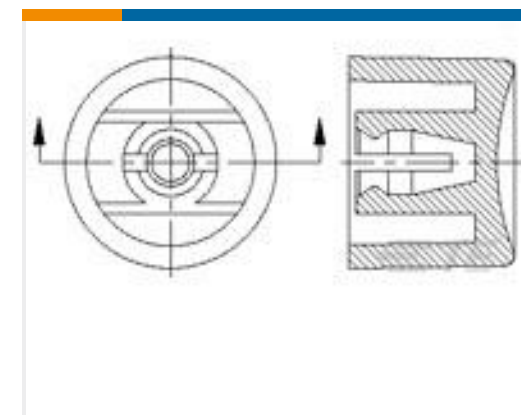


Insertion &amp; Extraction Tools(4)



Power Contacts(409)

## Customers Also Bought

TE Part #206037-1  
CPC PLUG ASSEMBLY SIZE 17-16TE Part #206966-9  
CABLE CLAMP KIT, BULK PKGTE Part #1-178128-4  
DYNAMIC 3200 REC HSG 4P SGLTE Part #T2111082201-007  
HMN-008-FTE Part #T4111012051-000  
M12 M, 5P GOLD A\_CODE S  
SHIELDED PG9TE Part #63969-1  
FASTON 205/250 PCB MOUNTED  
TPBRTE Part #5-2176337-1  
CRGCO 0402 150K 1%TE Part #1825069-1  
C23004 CAP BLACKTE Part #T2030002040-000  
CEF-4.0TE Part #T2030001040-000  
CEM-4.0

## Documents

### Product Drawings

III+ SKT,24-20,TIN-LEAD,STRIP

English

### CAD Files

3D PDF

3D

Customer View Model

ENG\_CVM\_CVM\_66563-6\_Y.2d\_dxf.zip



English

**Customer View Model**

[ENG\\_CVM\\_CVM\\_66563-6\\_Y.3d\\_igs.zip](#)

English

**Customer View Model**

[ENG\\_CVM\\_CVM\\_66563-6\\_Y.3d\\_stp.zip](#)

English

By downloading the CAD file I accept and agree to the [Terms and Conditions](#) of use.

---

## Product Specifications

[Application Specification](#)

English

---

## Product Environmental Compliance

[TE Material Declaration](#)

English

---

## Instruction Sheets

[Instruction Sheet \(U.S.\)](#)

Japanese

[Instruction Sheet \(U.S.\)](#)

English