

6648417-1 ✓ ACTIVE

ELCON | ELCON Drawer

TE Internal #: 6648417-1

Power Contacts, Contact, Gold, Bus Bar, Power, Socket, -55 – 105 °

C [-67 – 221 °F], Copper, Straight, Nickel, Bag, ELCON Drawer

[View on TE.com >](#)



Connectors > Power Connectors > Power Contacts



Power Contact Type: **Contact**

Contact Mating Area Plating Material: **Gold**

Connector & Contact Terminates To: **Bus Bar**

Contact Current Rating (Max): **200 A**

Circuit Application: **Power**

## Features

### Product Type Features

Power Contact Type	Contact
Connector & Contact Terminates To	Bus Bar

### Contact Features

Contact Size	Size 0
Contact Mating Area Plating Material	Gold
Contact Current Rating (Max)	200 A
Contact Type	Socket
Contact Retention Within Housing	Without
Mating Pin Diameter	9.06 mm[.357 in]
Contact Base Material	Copper
Contact Mating Area Plating Material Thickness	.76 µm[30 µin]
Contact Orientation	Straight
Contact Underplating Material	Nickel
Contact Underplating Material Thickness	1 µm[40 µin]

### Mechanical Attachment



Wire Insulation Support	Without
-------------------------	---------

### Usage Conditions

Operating Temperature Range	-55 – 105 °C[-67 – 221 °F]
-----------------------------	----------------------------

### Operation/Application

Circuit Application	Power
---------------------	-------

### Packaging Features

Packaging Quantity	100
--------------------	-----

Packaging Method	Bag
------------------	-----

### Other

Power Connectors Comment	Use only with probe-proof pin contacts
--------------------------	--

## Product Compliance

[For compliance documentation, visit the product page on TE.com>](#)

EU RoHS Directive 2011/65/EU	Compliant
------------------------------	-----------

EU ELV Directive 2000/53/EC	Compliant
-----------------------------	-----------

China RoHS 2 Directive MIIT Order No 32, 2016	No Restricted Materials Above Threshold
---	---

EU REACH Regulation (EC) No. 1907/2006	Current ECHA Candidate List: JUNE 2023 (235) Candidate List Declared Against: JAN 2023 (233) Does not contain REACH SVHC
--	--

Halogen Content	Low Halogen - Br, Cl, F, I < 900 ppm per homogenous material. Also BFR/CFR/PVC Free
-----------------	---

Solder Process Capability	Not applicable for solder process capability
---------------------------	--

#### Product Compliance Disclaimer

This information is provided based on reasonable inquiry of our suppliers and represents our current actual knowledge based on the information they provided. This information is subject to change. The part numbers that TE has identified as EU RoHS compliant have a maximum concentration of 0.1% by weight in homogenous materials for lead, hexavalent chromium, mercury, PBB, PBDE, DBP, BBP, DEHP, DIBP, and 0.01% for cadmium, or qualify for an exemption to these limits as defined in the Annexes of Directive 2011/65/EU (RoHS2). Finished electrical and electronic equipment products will be CE marked as required by Directive 2011/65/EU. Components may not be CE marked. Additionally, the part numbers that TE has identified as EU ELV compliant have a maximum concentration of 0.1% by weight in homogenous materials for lead, hexavalent chromium, and mercury, and 0.01% for cadmium, or qualify for an exemption to these limits as defined in the Annexes of Directive 2000/53/EC (ELV). Regarding the REACH Regulation, the information TE provides on SVHC in articles for this part number is based on the latest European Chemicals Agency (ECHA) 'Guidance on requirements for substances in articles' posted at this URL: <https://echa.europa.eu/guidance-documents/guidance-on-reach>



## Compatible Parts

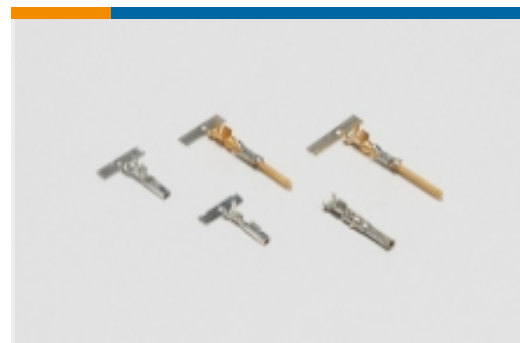


TE Part # 1766811-1  
CONTACT,PIN,#0

## Also in the Series | ELCON Drawer



PCB Connector Mounting(1)



Power Contacts(35)



Rectangular Connector Hardware(1)



Rectangular Power Connectors(32)

## Customers Also Bought



TE Part #1-6609027-7  
20EK1=F7097 S0



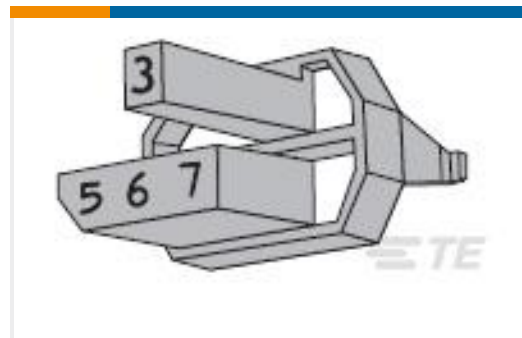
TE Part #1-1393210-2  
T9AS1D12-110



TE Part #320773  
PIDG R 22-16 COMM 22-18 MIL 2



TE Part #6368011-5  
STK MJ,2X1,SHLD,Y/G/Y/G LEDS



TE Part #5-100526-6  
Z-PACK F.CODING KEY



TE Part #1766194-1  
CONTACT,PIN,#16



TE Part #5535651-1  
68 MEM CARD HDR STD SMT TOP



TE Part #YDTS24W23-35PNV001  
RECP ASSY



TE Part #YDTS24W11-05PNV001  
RECP ASSY



TE Part #234067-E  
STVBTL BUT 100 CSI 2428 207 \* J 2  
34093

## Documents

### Product Drawings

[CONTACT, SOCKET, SIZE #O](#)

English

### CAD Files

[3D PDF](#)

3D

[Customer View Model](#)

[ENG\\_CVM\\_CVM\\_6648417-1\\_A1.2d\\_dxf.zip](#)

English

[Customer View Model](#)

[ENG\\_CVM\\_CVM\\_6648417-1\\_A1.3d\\_igs.zip](#)

English

[Customer View Model](#)

[ENG\\_CVM\\_CVM\\_6648417-1\\_A1.3d\\_stp.zip](#)

English

By downloading the CAD file I accept and agree to the [Terms and Conditions](#) of use.

### Datasheets & Catalog Pages

[POWER\\_CONNECTORS\\_CATALOG\\_SEC02\\_CABLE\\_MOUNTED](#)

English

[AMP & ELCON Power Connector Layout Forms Datasheet 6-1773444-7](#)

English

### Product Specifications

[Application Specification](#)

English

### Product Environmental Compliance

[TE Material Declaration](#)

English