



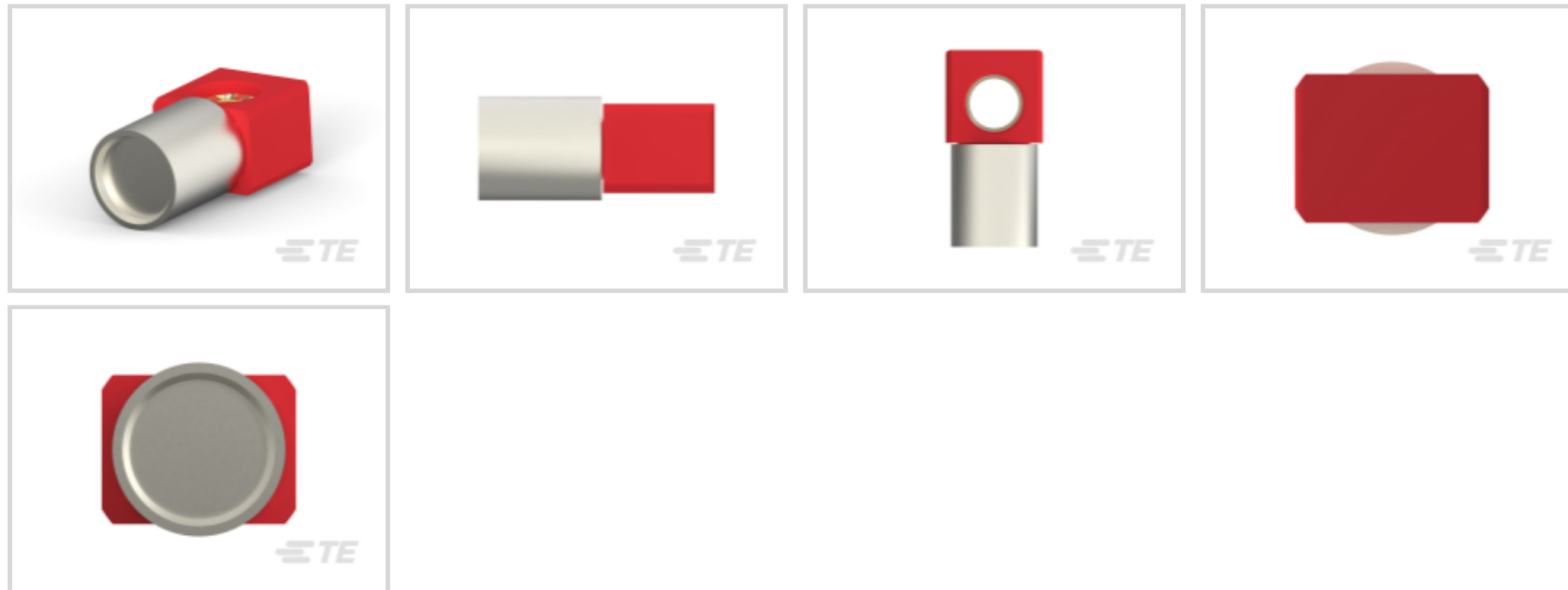
RAPID LOCK

TE Internal #: 6648234-2

Busbar Connectors, Wire-to-Bus Bar, Wire & Cable, Thermoplastic, Red, Box, Copper Alloy, Power, Cable Mount (Free-Hanging)

[View on TE.com >](#)

Connectors > Power Connectors > Power Busbar Connectors > Busbar Connectors



Connector System: **Wire-to-Bus Bar**

Connector & Contact Terminates To: **Wire & Cable**

Housing Material: **Thermoplastic**

Housing Color: **Red**

Bus Bar Connector Mounting Retention: **With**

Features

Product Type Features

Connector System	Wire-to-Bus Bar
Connector & Contact Terminates To	Wire & Cable

Electrical Characteristics

Operating Voltage	250 VAC
-------------------	---------

Body Features

Bus Bar Contact Plating Material	Gold
----------------------------------	------

Contact Features

Mating Pin Diameter	2 mm[.07 in]
Contact Mating Area Plating Material Thickness	.75 μm[30 μin]
Contact Base Material	Copper Alloy
Contact Current Rating (Max)	145 A
Contact Length	4 mm[.157 in]
Bus Bar Contact Style	CROWN BAND

Mechanical Attachment



Bus Bar Connector Mounting Retention	With
Connector Mounting Type	Cable Mount (Free-Hanging)

Housing Features

Housing Material	Thermoplastic
Housing Color	Red

Dimensions

Product Width	15.54 mm[.611 in]
Wire Size	0 AWG

Operation/Application

Circuit Application	Power
---------------------	-------

Packaging Features

Packaging Method	Box
------------------	-----

Product Compliance

[For compliance documentation, visit the product page on TE.com>](#)

EU RoHS Directive 2011/65/EU	Compliant
EU ELV Directive 2000/53/EC	Not Yet Reviewed
China RoHS 2 Directive MIIT Order No 32, 2016	No Restricted Materials Above Threshold
EU REACH Regulation (EC) No. 1907/2006	Current ECHA Candidate List: JUNE 2023 (235) Not Yet Reviewed
Halogen Content	Low Halogen - Br, Cl, F, I < 900 ppm per homogenous material. Also BFR/CFR/PVC Free
Solder Process Capability	Not applicable for solder process capability

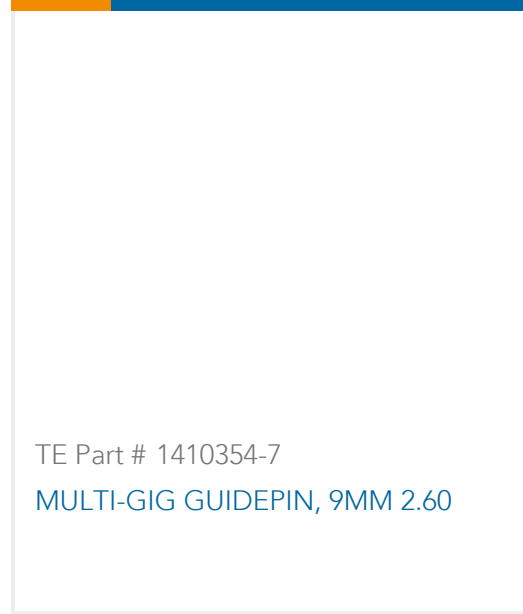
Product Compliance Disclaimer

This information is provided based on reasonable inquiry of our suppliers and represents our current actual knowledge based on the information they provided. This information is subject to change. The part numbers that TE has identified as EU RoHS compliant have a maximum concentration of 0.1% by weight in homogenous materials for lead, hexavalent chromium, mercury, PBB, PBDE, DBP, BBP, DEHP, DIBP, and 0.01% for cadmium, or qualify for an exemption to these limits as defined in the Annexes of Directive 2011/65/EU (RoHS2). Finished electrical and electronic equipment products will be CE marked as required by Directive 2011/65/EU. Components may not be CE marked. Additionally, the part numbers that TE has identified as EU ELV compliant have a maximum concentration of 0.1% by weight in homogenous materials for lead, hexavalent chromium, and mercury, and 0.01% for cadmium, or qualify for an exemption to these limits as defined in the Annexes of Directive 2000/53/EC (ELV). Regarding the REACH Regulation, the information TE provides on SVHC in articles for this part number is based on the latest European Chemicals Agency (ECHA) 'Guidance on requirements for substances in articles' posted at this URL: <https://echa.europa.eu/guidance-documents/guidance-on-reach>

Compatible Parts



TE Part # 6648223-1
CONTACT,PIN,#2



TE Part # 1410354-7
MULTI-GIG GUIDE PIN, 9MM 2.60

Customers Also Bought



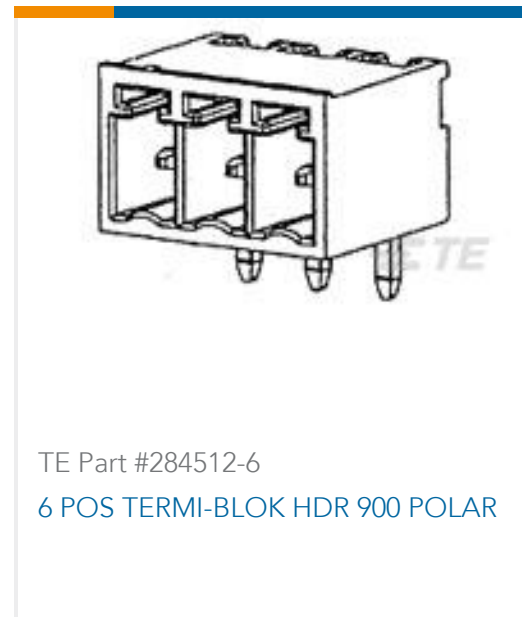
TE Part #6609015-5
6EF1F=F7325 S0



TE Part #2-1879021-3
SMW3 R82 5%



TE Part #5787962-2
.8MM CHAMP STACK RCPT ASSY



TE Part #284512-6
6 POS TERMI-BLOK HDR 900 POLAR



TE Part #2170806-4
CAGE ASSEMBLY, 1X2, QSFP28,
SPRING, HS



TE Part #2176326-9
CRGP 0603 47R 1%



TE Part #NB11652001
ATUM 4:1 dual wall heat shrink tubing



TE Part #1487588-1
USB, A-B, 28/24, WHITE, 2.0M



TE Part #6648221-1
CONTACT,PIN,#8

Documents

Product Drawings

[CONTACT,SKT,#0](#)

English

CAD Files

[3D PDF](#)

[3D](#)



Customer View Model

[ENG_CVM_CVM_6648234-2_A.2d_dxf.zip](#)

English

Customer View Model

[ENG_CVM_CVM_6648234-2_A.3d_igs.zip](#)

English

Customer View Model

[ENG_CVM_CVM_6648234-2_A.3d_stp.zip](#)

English

By downloading the CAD file I accept and agree to the [Terms and Conditions](#) of use.

Datasheets & Catalog Pages

[POWER_CONNECTORS_CATALOG_SEC02_CABLE_MOUNTED](#)

English

[2_PIECE_POWER_CONNECTORS_qrg_4-1773458-1](#)

English

Product Specifications

[Application Specification](#)

English

Agency Approvals

[Agency Approval Document](#)

English