

66359-5 ✓ ACTIVE

AMP | AMP Type III+

TE Internal #: 66359-5

Power Contacts, Contact, Precious Metal, 18 – 14 AWG Wire Size, .8 – 2 mm² Wire Size, Wire & Cable, Crimp, Power & Signal, Pin, AMP Type III+

[View on TE.com >](#)



Connectors > Power Connectors > Power Contacts



Power Contact Type: **Contact**

Contact Mating Area Plating Material: **Precious Metal**

Wire Size: **.8 – 2 mm²**

Connector & Contact Terminates To: **Wire & Cable**

Features

Product Type Features

| | |
|-----------------------------------|--------------|
| Power Contact Type | Contact |
| Connector & Contact Terminates To | Wire & Cable |

Contact Features

| | |
|---|------------------|
| Contact Size | Size 16 |
| Contact Mating Area Plating Material | Precious Metal |
| Contact Current Rating (Max) | 13 A |
| Contact Type | Pin |
| Contact Retention Within Housing | With |
| Mating Pin Diameter | 1.57 mm[.062 in] |
| Contact Base Material | Brass |
| Contact Mating Area Plating Material Thickness | .76 µm[30 µin] |
| Wire Contact Termination Area Plating Thickness | .25 µm[10 µin] |
| Wire Contact Termination Area Plating Material | Gold |
| Wire Contact Termination Area Plating Material Finish | Bright |
| Contact Orientation | Straight |



| | |
|-------------------------------|--------|
| Contact Underplating Material | Nickel |
|-------------------------------|--------|

| | |
|---|-----------------|
| Contact Underplating Material Thickness | 1.27 µm[50 µin] |
|---|-----------------|

Termination Features

| | |
|------------------------------------|-------|
| Termination Method to Wire & Cable | Crimp |
|------------------------------------|-------|

Mechanical Attachment

| | |
|-------------------------|------|
| Wire Insulation Support | With |
|-------------------------|------|

Dimensions

| | |
|-----------|------------------------|
| Wire Size | .8 – 2 mm ² |
|-----------|------------------------|

| | |
|--------------------------------------|-----------------------------|
| Compatible Insulation Diameter Range | 2.03 – 2.54 mm[.08 – .1 in] |
|--------------------------------------|-----------------------------|

Usage Conditions

| | |
|-----------------------------|----------------------------|
| Operating Temperature Range | -55 – 150 °C[-67 – 302 °F] |
|-----------------------------|----------------------------|

Operation/Application

| | |
|---------------------|----------------|
| Circuit Application | Power & Signal |
|---------------------|----------------|

Packaging Features

| | |
|--------------------|------|
| Packaging Quantity | 4000 |
|--------------------|------|

| | |
|------------------|------|
| Packaging Method | Reel |
|------------------|------|

Other

| | |
|--------------------------|---|
| Power Connectors Comment | Overall insulation crimp diameter, including crimp barrel, must not exceed 3.18 [.125]. |
|--------------------------|---|

Product Compliance

[For compliance documentation, visit the product page on TE.com>](#)

| | |
|------------------------------|-----------|
| EU RoHS Directive 2011/65/EU | Compliant |
|------------------------------|-----------|

| | |
|-----------------------------|-----------|
| EU ELV Directive 2000/53/EC | Compliant |
|-----------------------------|-----------|

| | |
|---|---|
| China RoHS 2 Directive MIIT Order No 32, 2016 | No Restricted Materials Above Threshold |
|---|---|

| | |
|--|---|
| EU REACH Regulation (EC) No. 1907/2006 | Current ECHA Candidate List: JUNE 2023 (235) Candidate List Declared Against: JUNE 2023 (235) Does not contain REACH SVHC |
|--|---|

| | |
|-----------------|---|
| Halogen Content | Low Halogen - Br, Cl, F, I < 900 ppm per homogenous material. Also BFR/CFR/PVC Free |
|-----------------|---|

| | |
|---------------------------|--|
| Solder Process Capability | Not applicable for solder process capability |
|---------------------------|--|

Product Compliance Disclaimer

This information is provided based on reasonable inquiry of our suppliers and represents our current actual knowledge based on the information they provided. This information is subject to change. The part numbers that TE has identified as EU RoHS compliant have a maximum concentration of 0.1% by weight in homogenous materials for lead, hexavalent chromium, mercury, PBB, PBDE, DBP, BBP, DEHP, DIBP, and 0.01% for cadmium, or qualify for an exemption to these limits as defined in the Annexes of Directive 2011/65/EU (RoHS2). Finished electrical and electronic equipment products will be CE marked as required by Directive 2011/65/EU. Components may not be CE marked. Additionally, the part numbers that TE has identified as EU ELV compliant have a maximum concentration of 0.1% by weight in homogenous materials for lead, hexavalent chromium, and mercury, and 0.01% for cadmium, or qualify for an exemption to these limits as defined in the Annexes of Directive 2000/53/EC (ELV). Regarding the REACH Regulation, the information TE provides on SVHC in articles for this part number is based on the latest European Chemicals Agency (ECHA) 'Guidance on requirements for substances in articles' posted at this URL: <https://echa.europa.eu/guidance-documents/guidance-on-reach>

Compatible Parts



Also in the Series | **AMP Type III+**



Insertion & Extraction Tools(4)



Power Contacts(409)

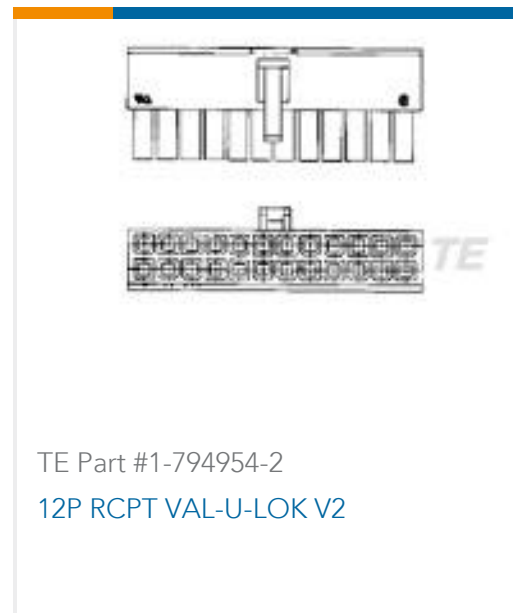
Customers Also Bought



TE Part #2-2172091-2
M8.FMLE.PNLREAR.3POS.PCBSTAND.
RA.SHLD



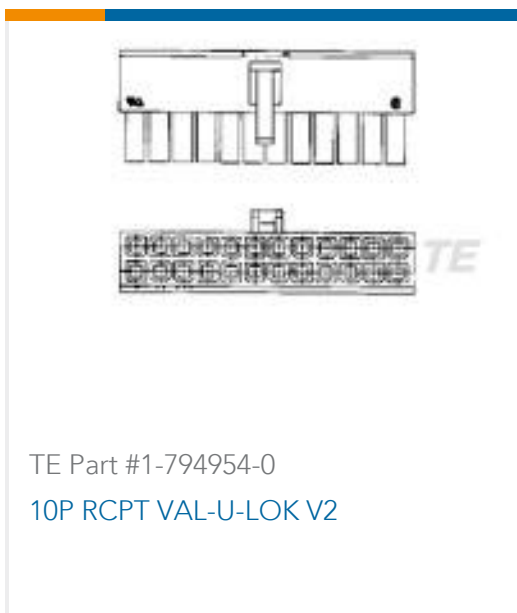
TE Part #206903-2
SEALING CAP ASSY,SZ 11,CPC



TE Part #1-794954-2
12P RCPT VAL-U-LOK V2



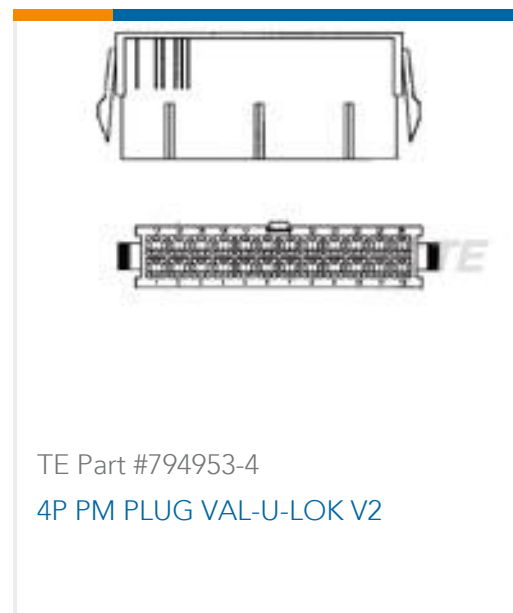
TE Part #1-480393-1
02P CMNL PLUG HSG F/H BLK



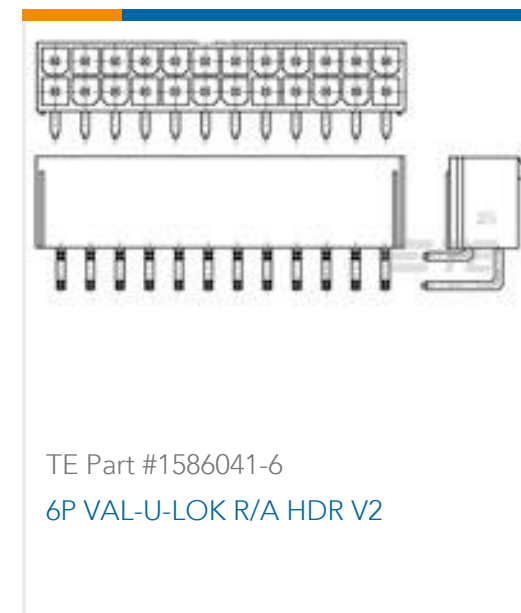
TE Part #1-794954-0
10P RCPT VAL-U-LOK V2



TE Part #926893-1
UNIV.M-N-L.SOCKET CONTACT



TE Part #794953-4
4P PM PLUG VAL-U-LOK V2



TE Part #1586041-6
6P VAL-U-LOK R/A HDR V2



TE Part #1437664-4
NC6-P107-02=NC6 ASSEMBLY



TE Part #9-1440003-0
PCH-105D2H,000

Documents

Product Drawings

III+ PIN,18-14,30AU>10,STRIP

English

CAD Files

Customer View Model

ENG_CVM_CVM_66359-5_AG.2d_dxf.zip

English

3D PDF



3D

Customer View Model

[ENG_CVM_CVM_66359-5_AG.3d_igs.zip](#)

English

Customer View Model

[ENG_CVM_CVM_66359-5_AG.3d_stp.zip](#)

English

By downloading the CAD file I accept and agree to the [Terms and Conditions](#) of use.

Product Specifications

[Application Specification](#)

English

Instruction Sheets

[Instruction Sheet \(U.S.\)](#)

Japanese

[Instruction Sheet \(U.S.\)](#)

English