



Connectors > Power Connectors > Power Contacts

Power Contact Type: **Contact**Contact Mating Area Plating Material: **Silver**Wire Size: **1.25 – 1.4 mm², 2 – 3 mm²**Connector & Contact Terminates To: **Wire & Cable**

Features

Product Type Features

Power Contact Type	Contact
Connector & Contact Terminates To	Wire & Cable

Contact Features

Contact Mating Area Plating Material	Silver
Contact Current Rating (Max)	35 A
Contact Type	Tab
Mating Tab Width	5.84 mm[.23 in]
Mating Tab Thickness	2.67 mm[.105 in]
Contact Base Material	Copper
Contact Mating Area Plating Material Thickness	2.54 μm[100 μin]
Wire Contact Termination Area Plating Thickness	2.54 μm[100 μin]
Wire Contact Termination Area Plating Material	Silver
Wire Contact Termination Area Plating Material Finish	Bright
Contact Orientation	Right Angle
Contact Underplating Material	Copper

Termination Features

Termination Method to Wire & Cable	Crimp
------------------------------------	-------

Mechanical Attachment

Wire Insulation Support	With
-------------------------	------



Dimensions

Wire Size	1.25 – 1.4 mm ² , 2 – 3 mm ²
Compatible Insulation Diameter Range	3.43 – 4.06 mm [.135 – .16 in]

Usage Conditions

Operating Temperature Range	-40 – 85 °C [-40 – 185 °F]
-----------------------------	----------------------------

Operation/Application

Circuit Application	Power
---------------------	-------

Packaging Features

Packaging Quantity	100
Packaging Method	Bag

Other

Power Connectors Comment	Hand Tool No. 69710-1 uses Die Insert No. 90145-2 for 16 AWG and Die Insert No. 90145-1 for 14-12 AWG wire.
--------------------------	---

Product Compliance

For compliance documentation, visit the product page on [TE.com](https://www.te.com)>

EU RoHS Directive 2011/65/EU	Compliant
EU ELV Directive 2000/53/EC	Compliant
China RoHS 2 Directive MIIT Order No 32, 2016	No Restricted Materials Above Threshold
EU REACH Regulation (EC) No. 1907/2006	Current ECHA Candidate List: JUNE 2023 (235) Candidate List Declared Against: JUNE 2022 (224) Does not contain REACH SVHC
Halogen Content	Low Halogen - Br, Cl, F, I < 900 ppm per homogenous material. Also BFR/CFR/PVC Free
Solder Process Capability	Not applicable for solder process capability

Product Compliance Disclaimer


This information is provided based on reasonable inquiry of our suppliers and represents our current actual knowledge based on the information they provided. This information is subject to change. The part numbers that TE has identified as EU RoHS compliant have a maximum concentration of 0.1% by weight in homogenous materials for lead, hexavalent chromium, mercury, PBB, PBDE, DBP, BBP, DEHP, DIBP, and 0.01% for cadmium, or qualify for an exemption to these limits as defined in the Annexes of Directive 2011/65/EU (RoHS2). Finished electrical and electronic equipment products will be CE marked as required by Directive 2011/65/EU. Components may not be CE marked. Additionally, the part numbers that TE has identified as EU ELV compliant have a maximum concentration of 0.1% by weight in homogenous materials for lead, hexavalent chromium, and mercury, and 0.01% for cadmium, or qualify for an exemption to these limits as defined in the Annexes of Directive 2000/53/EC (ELV). Regarding the REACH Regulation, the information TE provides

on SVHC in articles for this part number is based on the latest European Chemicals Agency (ECHA) 'Guidance on requirements for substances in articles' posted at this URL: <https://echa.europa.eu/guidance-documents/guidance-on-reach>

Compatible Parts



TE Part # 206037-2
CPC PLUG ASSEMBLY SIZE 17-3



TE Part # 90382-2
HHHT TYPE XII 16-12 ASSY



TE Part # 69710-1
C-HEAD FRAME W/O DIES



TE Part # 7-1579008-6
UNLOCKING TOOL



TE Part # 66740-2
TYPE XII FEMALE CONT (L.P.)



TE Part # 356304-1
TOOL HOLDER ASSY, STRHT ACTION



TE Part # 90145-1
TYPE XII MALE FEMALE ASSY 14-12 DIE SET




TE Part # 2063487-1
SDE TYPE III+ 0.2-2.5mm² ASSY DIE SET



TE Part # 2063487-2
SDE TYPE III+ 0.2-2.5mm² DIE SET



TE Part # 2217484-1
KIT, BTLI, HEAVY HEAD



TE Part # 2217484-2
KIT, BTLI, HEAVY HEAD



TE Part # 90145-2
TYPE XII MALE FEMALE ASSY 16-14 DIE SET



TE Part # 539668-2
MATRIZE TYPE 3+

Customers Also Bought



TE Part #206426-1
CPC PLUG ASSEMBLY SIZE 17-3



TE Part #1658643-1
HDP-20, RCPT, SIZE 1, 9 POSN, CLI



TE Part #1-1609112-2
15CE1=F8272



TE Part #1658690-1
HDP-22, RCPT, SIZE 1, 15 POSN, CLI



TE Part #2273000-2
M8 x 1.0 straight plug Pigtail



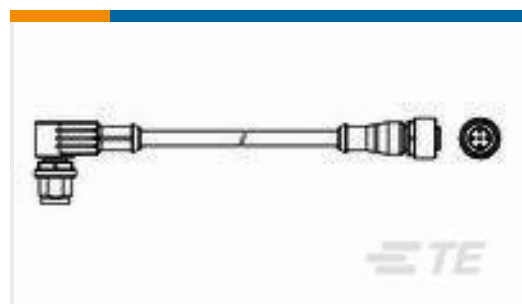
TE Part #66741-2
TYPE XII FEMALE CONT (L.P.)



TE Part #66740-2
TYPE XII FEMALE CONT (L.P.)



TE Part #211398-2
CPC RECPT. SIZE 13-7



TE Part #2273122-4
M12 angled plug to M12 strgt socket
AA



TE Part #2-1105051-2
HN.D-C-BU.AU.0,5

Documents

Product Drawings

MALE CONTACT ASSY. (L.P.)

English

CAD Files

Customer View Model

[ENG_CVM_66261-4_Y.3d_igs.zip](#)

English

Customer View Model

[ENG_CVM_66261-4_Y.3d_stp.zip](#)

English

Customer View Model

[ENG_CVM_66261-4_Y.2d_dxf.zip](#)

English

3D PDF

English

By downloading the CAD file I accept and agree to the [Terms and Conditions](#) of use.

Datasheets & Catalog Pages



[AMP Circular Connectors for Commercial Signal & Power Applications](#)

English

[Power Contacts](#)

English

[M_SERIES_PIN_AND_SOCKET_CONNECTORS](#)

English

[Products for Aerospace and Defense](#)

English

[Product Specifications](#)

[Application Specification](#)

English

[Product Environmental Compliance](#)

[MD_66261-4_032720181338_dmtec](#)

English

[MD_66261-4_032720181338_dmtec](#)

English

[Instruction Sheets](#)

[Instruction Sheet \(U.S.\)](#)

English

[Instruction Sheet \(U.S.\)](#)

English

[Agency Approvals](#)

[UL](#)

English