



Connectors > Power Connectors > Power Contacts



Power Contact Type: **Contact**

Contact Mating Area Plating Material: **Silver**

Wire Size: **5 – 6 mm²**

Connector & Contact Terminates To: **Wire & Cable**

Features

Product Type Features

Power Contact Type	Contact
Connector & Contact Terminates To	Wire & Cable

Contact Features

Contact Mating Area Plating Material	Silver
Contact Current Rating (Max)	35 A
Contact Type	Tab
Mating Tab Width	5.84 mm[.23 in]
Mating Tab Thickness	2.67 mm[.105 in]
Contact Base Material	Copper
Contact Mating Area Plating Material Thickness	2.54 μm[100 μin]
Wire Contact Termination Area Plating Thickness	2.54 μm[100 μin]
Wire Contact Termination Area Plating Material	Silver
Wire Contact Termination Area Plating Material Finish	Bright
Contact Orientation	Right Angle
Contact Underplating Material	Copper

Termination Features

Termination Method to Wire & Cable	Crimp
------------------------------------	-------

Mechanical Attachment

Wire Insulation Support	With
-------------------------	------



Dimensions

Wire Size	5 – 6 mm ²
Compatible Insulation Diameter Range	4.83 – 5.59 mm [.19 – .22 in]

Usage Conditions

Operating Temperature Range	-40 – 85 °C [-40 – 185 °F]
-----------------------------	----------------------------

Operation/Application

Circuit Application	Power
---------------------	-------

Packaging Features

Packaging Quantity	1500
Packaging Method	Reel

Product Compliance

[For compliance documentation, visit the product page on TE.com>](#)

EU RoHS Directive 2011/65/EU	Compliant with Exemptions
EU ELV Directive 2000/53/EC	Compliant
China RoHS 2 Directive MIIT Order No 32, 2016	Restricted Materials Above Threshold
EU REACH Regulation (EC) No. 1907/2006	Current ECHA Candidate List: JUNE 2023 (235) Candidate List Declared Against: JUNE 2022 (224) SVHC > Threshold: Pb (4.4% in BODY & NUT) Article Safe Usage Statements: Do not eat, drink or smoke when using this product. Wash thoroughly after handling. Recycle if possible and dispose of the article by following all applicable governmental regulations relevant to your geographic location.
Halogen Content	Low Halogen - Br, Cl, F, I < 900 ppm per homogenous material. Also BFR/CFR/PVC Free
Solder Process Capability	Not applicable for solder process capability


Product Compliance Disclaimer

This information is provided based on reasonable inquiry of our suppliers and represents our current actual knowledge based on the information they provided. This information is subject to change. The part numbers that TE has identified as EU RoHS compliant have a maximum concentration of 0.1% by weight in homogenous materials for lead, hexavalent chromium, mercury, PBB, PBDE, DBP, BBP, DEHP, DIBP, and 0.01% for cadmium, or qualify for an exemption to these limits as defined in the Annexes of Directive 2011/65/EU (RoHS2). Finished electrical and electronic equipment products will be CE marked as required by Directive 2011/65/EU. Components may not be CE marked. Additionally, the part numbers that TE has identified as EU ELV compliant have a maximum concentration of 0.1% by weight in homogenous materials for lead, hexavalent chromium, and mercury, and 0.01% for cadmium, or qualify for an exemption to these limits as defined in the Annexes of Directive 2000/53/EC (ELV). Regarding the REACH Regulation, the information TE provides on SVHC in articles for this part number is based on the latest European Chemicals Agency (ECHA) 'Guidance on requirements for substances in articles' posted at this URL: <https://echa.europa.eu/guidance-documents/guidance-on-reach>

Compatible Parts



TE Part # 206037-2
CPC PLUG ASSEMBLY SIZE 17-3



TE Part # 90384-1
HHHT TYPE XII MALE FEMALE 10 ASSY



TE Part # 7-1579008-6
UNLOCKING TOOL



TE Part # 66741-9
TYPE XII FEMALE CONT (STRIP)



TE Part # 1-66741-9
TYPE XII FEMALE CONT (STRIP)



TE Part # 2151411-2
OCEAN-2.0-APPLICATOR-S-210F2200



TE Part # 2-2151411-2
OCEAN-2.0-APPLICATOR-S-210F2200



TE Part # 7-2151411-2
OCEAN-2.0-APPLICATOR-S-210F2200



KIT
REPRESENTATION ONLY

TE Part # 7-2151411-7
OCEAN_2.0_SPARE_PART_KIT-210F2200



TE Part # 567021-3
HDMIBMSMPR210F2200K 66251

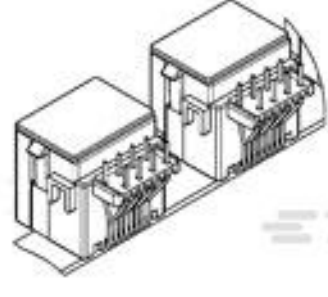
Customers Also Bought



TE Part #207485-1
CPC PLUG ASSEMBLY SIZE 23-16



TE Part #66253-6
MALE CONTACT ASSY (STRIP)



TE Part #216446-1
6/6 PCB MOD.JACK BE



TE Part #5-104439-5
4X6 MTE RCPT SR PLAIN .100CL



TE Part #DRCP25-86PAA-G005
HDR, 86P, BLK, ST, 12/20, SN/NI/CU,
AA



TE Part #DRCP25-86PBB-GC05
HDR, 86P, BLK, ST, 12/20, SN/NI/CU,
BB



TE Part #1-66563-1
III+ SKT,24-20,TIN,STRIP



TE Part #336765-000
CWT-3807-W1



TE Part #0942318R02
DTP RECP ASM



TE Part #DRCP25-86PCC-GC05
HDR, 86P, BLK, ST, 12/20, SN/NI/CU,
CC

Documents

Product Drawings

MALE CONTACT ASSY. (STRIP)

English

CAD Files

3D PDF

3D

Customer View Model

[ENG_CVM_CVM_66253-8_AF_c-66253-8-af.2d_dxf.zip](#)

English

Customer View Model

[ENG_CVM_CVM_66253-8_AF_c-66253-8-af.3d_igs.zip](#)

English

Customer View Model

[ENG_CVM_CVM_66253-8_AF_c-66253-8-af.3d_stp.zip](#)

English

By downloading the CAD file I accept and agree to the [Terms and Conditions](#) of use.

Datasheets & Catalog Pages

AMP Circular Connectors for Commercial Signal & Power Applications

English

Power Contacts

English

M_SERIES_PIN_AND_SOCKET_CONNECTORS

English

Products for Aerospace and Defense

English



[Product Specifications](#)

[Application Specification](#)

English