

# 10EJM1 ! PENDING OBSOLESCENCE

Corcom | Corcom EJM

TE Internal #: 6609985-4

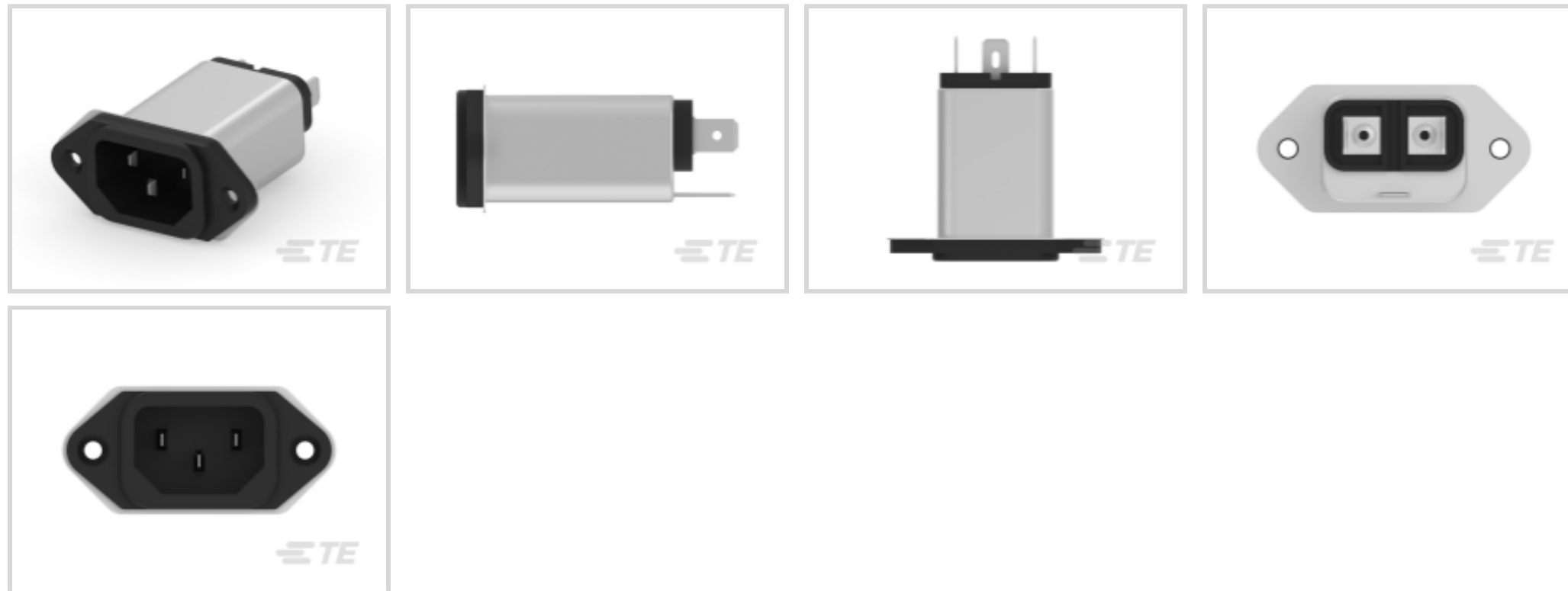
TE Internal Description: 10EJM1=F8186

IEC Filtered Inlets, Corcom EJM Series

[View on TE.com >](#)



EMI & EMC Solutions > EMI Filters > Multi-Function Inlet Filters > IEC Filtered Inlets, Corcom EJM Series



Filter Type: **Power Line**

Product Orientation: **Right Angle**

Leakage Current (Max) (120VAC, 60Hz): **10  $\mu$ A**

Leakage Current (Max) (250VAC, 50Hz): **17  $\mu$ A**

Current Rating: **10 A**

[All IEC Filtered Inlets, Corcom EJM Series \(0\)](#)

## Features

### Product Type Features

Ground Choke Option	No
Filter Type	Power Line
Output Termination Type	.250" FASTON
Filtering Requirements	Filtered
Filter Connector Type	IEC 320/C-14

### Electrical Characteristics

Leakage Current (Max) (120VAC, 60Hz)	10 $\mu$ A
Leakage Current (Max) (250VAC, 50Hz)	17 $\mu$ A
Current Rating	10 A
Operating Voltage	250 VAC

### Body Features

Product Orientation	Right Angle
---------------------	-------------

### Mechanical Attachment

Panel Mount Feature Type	Mounting Ears (Horizontal), Mounting Holes
--------------------------	--

**Usage Conditions**

Operating Temperature Range	-10 – 40 °C
-----------------------------	-------------

**Product Compliance**

For compliance documentation, visit the product page on TE.com>

EU RoHS Directive 2011/65/EU	Compliant
EU ELV Directive 2000/53/EC	Compliant
China RoHS 2 Directive MIIT Order No 32, 2016	No Restricted Materials Above Threshold
EU REACH Regulation (EC) No. 1907/2006	Current ECHA Candidate List: JUNE 2023 (235) Candidate List Declared Against: JUNE 2022 (224) Does not contain REACH SVHC
Halogen Content	Low Halogen - Br, Cl, F, I < 900 ppm per homogenous material. Also BFR/CFR/PVC Free
Solder Process Capability	Not reviewed for solder process capability

Product Compliance Disclaimer

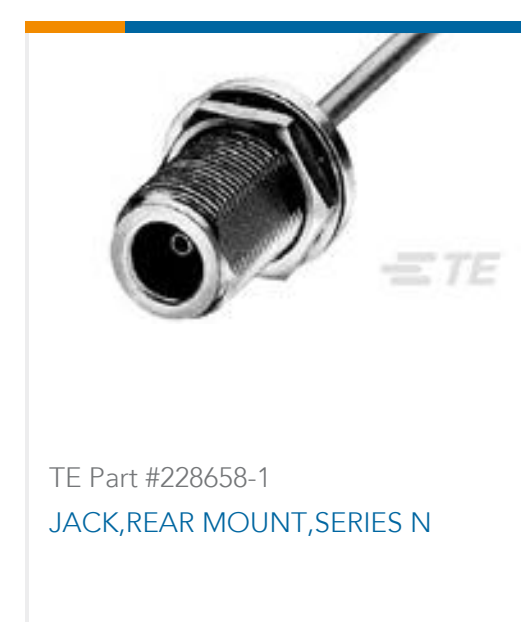
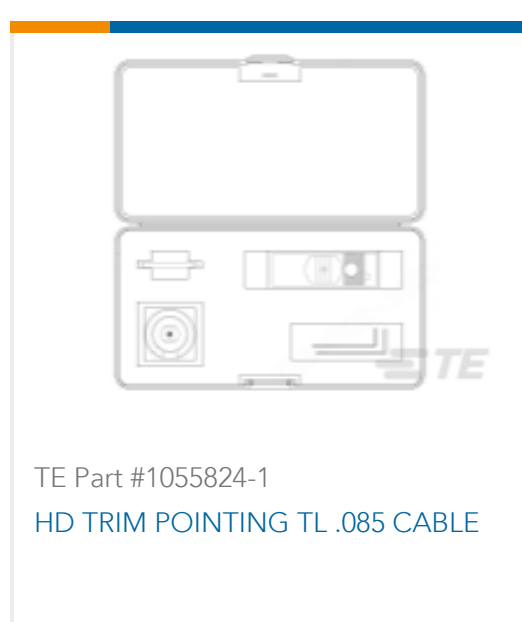
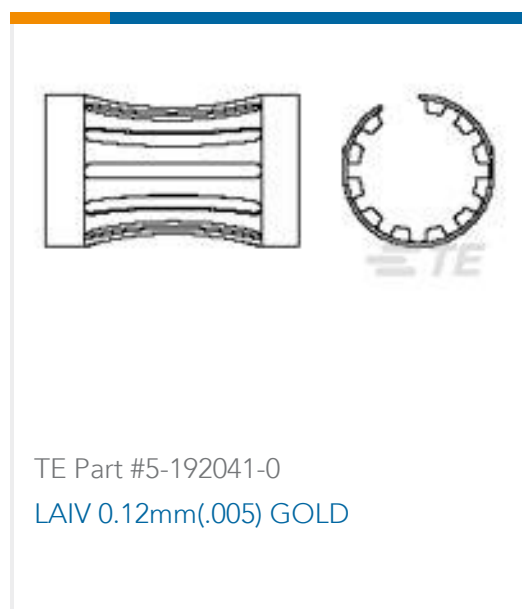
This information is provided based on reasonable inquiry of our suppliers and represents our current actual knowledge based on the information they provided. This information is subject to change. The part numbers that TE has identified as EU RoHS compliant have a maximum concentration of 0.1% by weight in homogenous materials for lead, hexavalent chromium, mercury, PBB, PBDE, DBP, BBP, DEHP, DIBP, and 0.01% for cadmium, or qualify for an exemption to these limits as defined in the Annexes of Directive 2011/65/EU (RoHS2). Finished electrical and electronic equipment products will be CE marked as required by Directive 2011/65/EU. Components may not be CE marked. Additionally, the part numbers that TE has identified as EU ELV compliant have a maximum concentration of 0.1% by weight in homogenous materials for lead, hexavalent chromium, and mercury, and 0.01% for cadmium, or qualify for an exemption to these limits as defined in the Annexes of Directive 2000/53/EC (ELV). Regarding the REACH Regulation, the information TE provides on SVHC in articles for this part number is based on the latest European Chemicals Agency (ECHA) 'Guidance on requirements for substances in articles' posted at this URL: <https://echa.europa.eu/guidance-documents/guidance-on-reach>

**Compatible Parts**



## Also in the Series |

## Customers Also Bought



## Documents

### CAD Files

#### Customer View Model

[ENG\\_CVM\\_CVM\\_6609985-4\\_A.2d\\_dxf.zip](#)

English

#### Customer View Model

[ENG\\_CVM\\_CVM\\_6609985-4\\_A.3d\\_igs.zip](#)

English

#### Customer View Model

[ENG\\_CVM\\_CVM\\_6609985-4\\_A.3d\\_stp.zip](#)

English

### 3D PDF

3D

#### Customer View Model

[ENG\\_CVM\\_6609985-4\\_1.3d\\_igs.zip](#)

English

#### Customer View Model

[ENG\\_CVM\\_6609985-4\\_1.3d\\_stp.zip](#)

English

#### Customer View Model

[ENG\\_CVM\\_6609985-4\\_1.2d\\_dxf.zip](#)

English

### 3D PDF



3D

By downloading the CAD file I accept and agree to the [Terms and Conditions](#) of use.

### Datasheets & Catalog Pages

[1654001\\_CORCOM\\_PRODUCT\\_GUIDE](#)

English

[1654001\\_CORCOM\\_PRODUCT\\_GUIDE\\_EEJ\\_SERIES](#)

English

[Corcom Combined Selector Charts](#)

English

[1-1654250-1\\_CORCOM\\_EMI\\_RFI\\_QRG](#)

English