

3CFS1 ✓ ACTIVE

Corcom | Corcom C

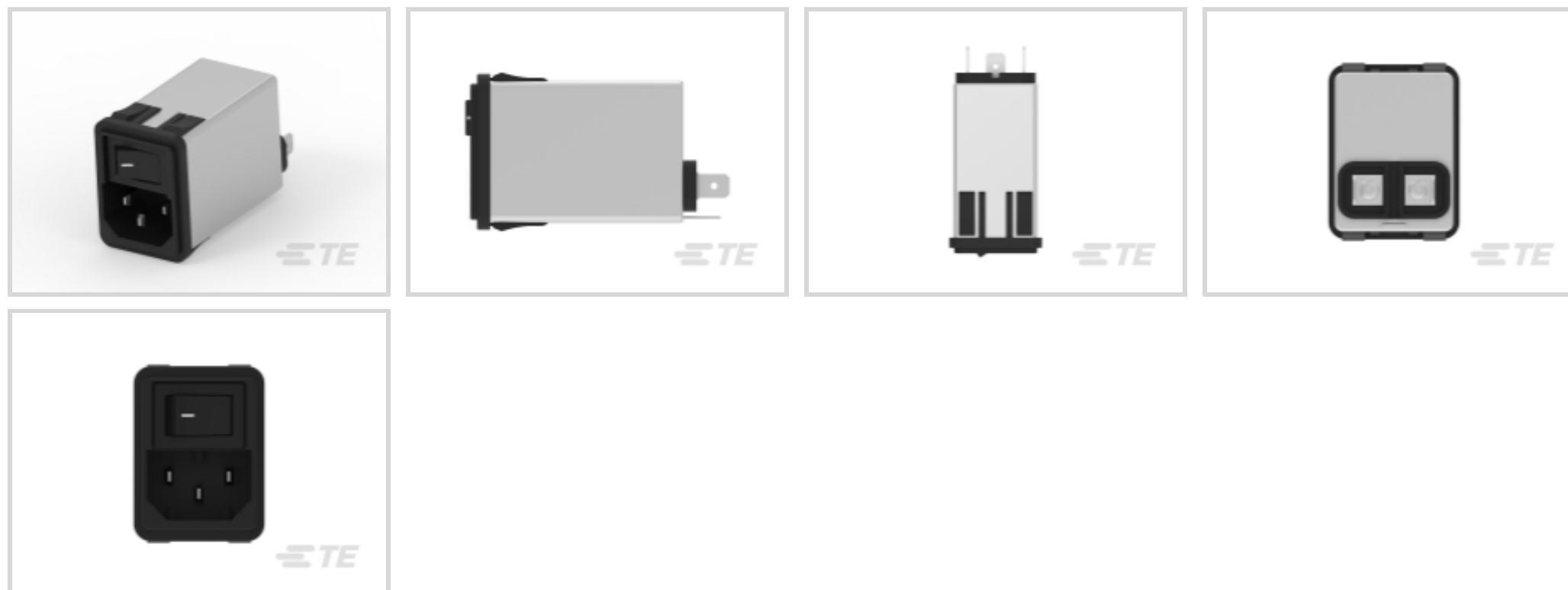
TE Internal #: 6609113-6

Multi-Function Inlet Filters, Power Entry Module, None Input, DPST,
Filter Shield, Vertical, 3A Current Rating, .250" FASTON Output,
Corcom C

[View on TE.com >](#)



EMI & EMC Solutions > EMI Filters > Multi-Function Inlet Filters > CORCOM C SERIES MULTI-FUNCTION INLET FIL



Filter Type: **Power Entry Module**

Input Voltage Selection: **None**

Filter Switch Type: **DPST**

Filter Shield Type: **Filter Shield**

Product Orientation: **Vertical**

[All CORCOM C SERIES MULTI-FUNCTION INLET FIL \(8\)](#)

Features

Product Type Features

Ground Choke Option	No
Filter Type	Power Entry Module
Filter Switch Type	DPST
Output Termination Type	.250" FASTON
Filtering Requirements	Filtered
Filter Connector Type	IEC 320/C-14

Configuration Features

Extender Options	None
------------------	------

Electrical Characteristics

Input Voltage Selection	None
Leakage Current (Max) (120VAC, 60Hz)	250 μ A
Leakage Current (Max) (250VAC, 50Hz)	400 μ A



Current Rating	3 A
----------------	-----

Operating Voltage	250 VAC
-------------------	---------

Body Features

Filter Shield Type	Filter Shield
--------------------	---------------

Product Orientation	Vertical
---------------------	----------

Mechanical Attachment

Panel Mount Feature Type	Snap-In
--------------------------	---------

Usage Conditions

Operating Temperature Range	-10 – 40 °C
-----------------------------	-------------

Product Compliance

For compliance documentation, visit the product page on [TE.com](https://www.te.com)>

EU RoHS Directive 2011/65/EU	Compliant
------------------------------	-----------

EU ELV Directive 2000/53/EC	Compliant
-----------------------------	-----------

China RoHS 2 Directive MIIT Order No 32, 2016	No Restricted Materials Above Threshold
---	---

EU REACH Regulation (EC) No. 1907/2006	Current ECHA Candidate List: JUNE 2023 (235) Candidate List Declared Against: JAN 2022 (223) Does not contain REACH SVHC
--	--

Halogen Content	Low Halogen - Br, Cl, F, I < 900 ppm per homogenous material. Also BFR/CFR/PVC Free
-----------------	---

Solder Process Capability	Not applicable for solder process capability
---------------------------	--

Product Compliance Disclaimer

This information is provided based on reasonable inquiry of our suppliers and represents our current actual knowledge based on the information they provided. This information is subject to change. The part numbers that TE has identified as EU RoHS compliant have a maximum concentration of 0.1% by weight in homogenous materials for lead, hexavalent chromium, mercury, PBB, PBDE, DBP, BBP, DEHP, DIBP, and 0.01% for cadmium, or qualify for an exemption to these limits as defined in the Annexes of Directive 2011/65/EU (RoHS2). Finished electrical and electronic equipment products will be CE marked as required by Directive 2011/65/EU. Components may not be CE marked. Additionally, the part numbers that TE has identified as EU ELV compliant have a maximum concentration of 0.1% by weight in homogenous materials for lead, hexavalent chromium, and mercury, and 0.01% for cadmium, or qualify for an exemption to these limits as defined in the Annexes of Directive 2000/53/EC (ELV). Regarding the REACH Regulation, the information TE provides on SVHC in articles for this part number is based on the latest European Chemicals Agency (ECHA) 'Guidance on requirements for substances in articles' posted at this URL: <https://echa.europa.eu/guidance-documents/guidance-on-reach>

Compatible Parts



TE Part # CAT-C8114-102
CORCOM C SERIES MULTI-FUNCTION INLET FIL



TE Part # 1-1609112-4
15CBE1=F8274

Also in the Series | Corcom C

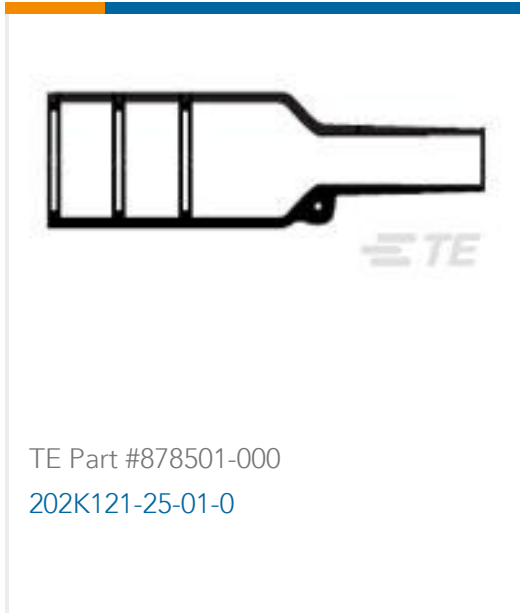


IEC Unfiltered Inlets(8)



Multi-Function Inlet Filters(8)

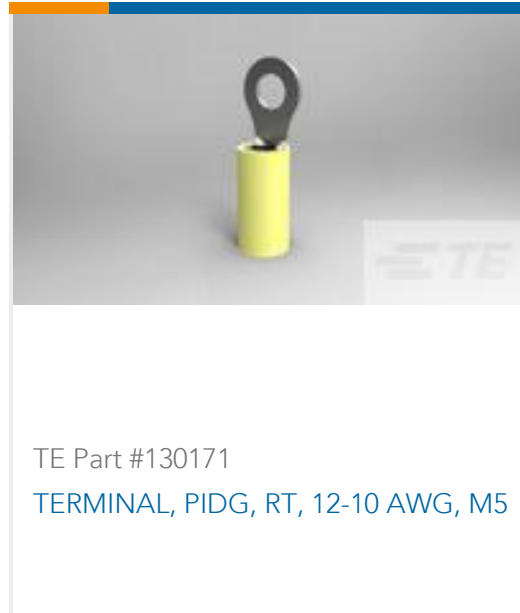
Customers Also Bought



TE Part #878501-000
202K121-25-01-0



TE Part #1-6609113-4
10CFS1 S0=F7826



TE Part #130171
TERMINAL, PIDG, RT, 12-10 AWG, M5



TE Part #5748677-1
PLTD PLST CBL CLMP KIT,SZ 1



TE Part #321017
TERMINAL,PIDG R 26-22 4



TE Part #38943-16L
CONT SOC ASSY



TE Part #38941-22L
CONTACTS



TE Part #1-66103-7
III+ PIN,24-20, 30AU/SN,SMPACK



TE Part #2-34143-1
PG R 22-16 COMM 22-18 MIL 4



TE Part #VFT69383B2NJV-518Q
VEHICULAR,MIMO,3 PORTS LTE1,
LTE2,GNSS,BL



Documents

Product Drawings

[3CFS1 S0=F7824](#)

English

CAD Files

Customer View Model

[ENG_CVM_CVM_6609113-6_D.3d_stp.zip](#)

English

Customer View Model

[ENG_CVM_CVM_6609113-6_D.2d_dxf.zip](#)

English

Customer View Model

[ENG_CVM_CVM_6609113-6_D.3d_igs.zip](#)

English

[3D PDF](#)

3D

Customer View Model

[ENG_CVM_6609113-6_A.3d_igs.zip](#)

English

Customer View Model

[ENG_CVM_6609113-6_A.3d_stp.zip](#)

English

Customer View Model

[ENG_CVM_6609113-6_A.2d_dxf.zip](#)

English

[3D PDF](#)

English

By downloading the CAD file I accept and agree to the [Terms and Conditions](#) of use.

Datasheets & Catalog Pages

[1654001_CORCOM_PRODUCT_GUIDE](#)

English

[1654001_Corcom_Product_Guide_C_Series](#)

English

[Corcom Combined Selector Charts](#)

English

[1-1654250-1_CORCOM_EMI_RFI_QRG](#)

English

Product Environmental Compliance

[TE Material Declaration](#)

English