

PS000DS60 ✓ ACTIVE

Corcom | Corcom P

TE Internal #: 6609107-8

Multi-Function Inlet Filters, Power Entry Module, Single AC Input,
No Switch, None, Vertical, 6A Current Rating, .187" FASTON
Output, Corcom P

[View on TE.com >](#)



EMI & EMC Solutions > EMI Filters > Multi-Function Inlet Filters > CORCOM P SERIES MULTI-FUNCTION INLET FIL



Filter Type: **Power Entry Module**

Input Voltage Selection: **Single AC**

Filter Switch Type: **No Switch**

Filter Shield Type: **None**

Product Orientation: **Vertical**

[All CORCOM P SERIES MULTI-FUNCTION INLET FIL \(300\)](#)

Features

Product Type Features

| | |
|-------------------------|--------------------|
| Ground Choke Option | No |
| Filter Type | Power Entry Module |
| Filter Switch Type | No Switch |
| Output Termination Type | .187" FASTON |
| Filtering Requirements | Filtered |
| Filter Connector Type | IEC 320/C-14 |

Configuration Features

| | |
|------------------|------|
| Extender Options | None |
| Fuse Options | Dual |

Electrical Characteristics

| | |
|--------------------------------------|-------------|
| Input Voltage Selection | Single AC |
| Leakage Current (Max) (120VAC, 60Hz) | 250 μ A |



| | |
|--------------------------------------|-------------|
| Leakage Current (Max) (250VAC, 50Hz) | 500 μ A |
| Current Rating | 6 A |
| Operating Voltage | 250 VAC |

Body Features

| | |
|---------------------|----------|
| Filter Shield Type | None |
| Product Orientation | Vertical |

Mechanical Attachment

| | |
|--------------------------|---------|
| Panel Mount Feature Type | Snap-In |
|--------------------------|---------|

Dimensions

| | |
|-------------------------------|------------|
| Panel Thickness (Recommended) | .13 – 1 mm |
|-------------------------------|------------|

Usage Conditions

| | |
|-----------------------------|-------------|
| Operating Temperature Range | -10 – 40 °C |
|-----------------------------|-------------|

Product Compliance

[For compliance documentation, visit the product page on TE.com>](#)

| | |
|---|---|
| EU RoHS Directive 2011/65/EU | Compliant |
| EU ELV Directive 2000/53/EC | Compliant |
| China RoHS 2 Directive MIIT Order No 32, 2016 | No Restricted Materials Above Threshold |
| EU REACH Regulation (EC) No. 1907/2006 | Current ECHA Candidate List: JUNE 2023 (235) Candidate List Declared Against: JUNE 2023 (235) Does not contain REACH SVHC |
| Halogen Content | Not Low Halogen - contains Br or Cl > 900 ppm. |
| Solder Process Capability | Not applicable for solder process capability |

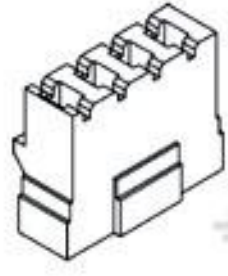
Product Compliance Disclaimer

This information is provided based on reasonable inquiry of our suppliers and represents our current actual knowledge based on the information they provided. This information is subject to change. The part numbers that TE has identified as EU RoHS compliant have a maximum concentration of 0.1% by weight in homogenous materials for lead, hexavalent chromium, mercury, PBB, PBDE, DBP, BBP, DEHP, DIBP, and 0.01% for cadmium, or qualify for an exemption to these limits as defined in the Annexes of Directive 2011/65/EU (RoHS2). Finished electrical and electronic equipment products will be CE marked as required by Directive 2011/65/EU. Components may not be CE marked. Additionally, the part numbers that TE has identified as EU ELV compliant have a maximum concentration of 0.1% by weight in homogenous materials for lead, hexavalent chromium, and mercury, and 0.01% for cadmium, or qualify for an exemption to these limits as defined in the Annexes of Directive 2000/53/EC (ELV). Regarding the REACH Regulation, the information TE provides on SVHC in articles for this part number is based on the latest European Chemicals Agency (ECHA) 'Guidance on requirements for substances in articles' posted at this URL: <https://echa.europa.eu/guidance-documents/guidance-on-reach>

Compatible Parts



TE Part # 1609146-1
PA101 CONNECTOR PLU=F6998



TE Part # 1609146-2
PA102 CONNECTOR PIN=F6999




TE Part # 1609140-1
PA100=F6800



TE Part # 1609140-3
PA105 J0=F6806

Also in the Series | Corcom P



EMI & EMC Accessories(4)



Multi-Function Inlet Filters(368)

Customers Also Bought



TE Part #206070-8
CABLE CLAMP KIT #17



TE Part #DT04-2P
REC, 2P, GRY, N



TE Part #DT06-2S
PLG, 2P, GRY, N



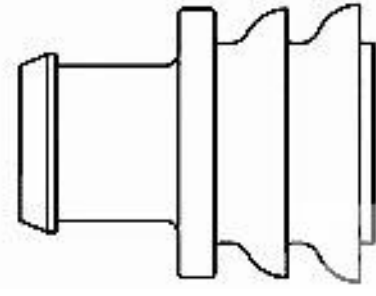
TE Part #W2P
Wedgelocks: DEUTSCH DT



TE Part #0462-201-16141
DEUTSCH Solid Contacts



TE Part #282080-1
AMP SUPERSEAL 1.5MM,
CONNECTOR HOUSING



TE Part #281934-2
SINGLE WIRE SEAL

Documents

[Product Drawings](#)
[PS000DS60=C1035](#)

English

[CAD Files](#)



Customer View Model

[ENG_CVM_6609107-8_A.3d_igs.zip](#)

English

Customer View Model

[ENG_CVM_6609107-8_A.3d_stp.zip](#)

English

Customer View Model

[ENG_CVM_6609107-8_A.2d_dxf.zip](#)

English

[3D PDF](#)

3D

Customer View Model

[ENG_CVM_CVM_6609107-8_O.3d_igs.zip](#)

English

Customer View Model

[ENG_CVM_CVM_6609107-8_O.3d_stp.zip](#)

English

Customer View Model

[ENG_CVM_CVM_6609107-8_O.2d_dxf.zip](#)

English

[3D PDF](#)

3D

By downloading the CAD file I accept and agree to the [Terms and Conditions](#) of use.

Datasheets & Catalog Pages

[1654001_CORCOM_PRODUCT_GUIDE](#)

English

[Corcom Combined Selector Charts](#)

English

[1-1654250-1_CORCOM_EMI_RFI_QRG](#)

English