

45AYT6C ✓ ACTIVE

Corcom | Corcom AYT

TE Internal #: 6609073-3

3-Phase Filters, 45A Current Rating, Stud Input, Stud Output, WYE (4 wire + ground), Operating Voltage 440 VAC, Chassis, Corcom AYT

[View on TE.com >](#)



EMI & EMC Solutions > EMI Filters > Power Line Filters > 3-Phase Filters > 3 Phase Filters, Corcom AYT Series



Current Rating: **45 A**

Input Termination Type: **Stud**

Output Termination Type: **Stud**

Wiring Configuration: **WYE (4 wire + ground)**

Operating Voltage: **440 VAC**

[All 3 Phase Filters, Corcom AYT Series \(4\)](#)

Features

Product Type Features

Filtering Requirements	Filtered
Input Termination Type	Stud
Output Termination Type	Stud

Configuration Features

Wiring Configuration	WYE (4 wire + ground)
----------------------	-----------------------

Electrical Characteristics

Leakage Current (Max) (250VAC, 50Hz)	3.4 mA
Current Rating	45 A
Operating Voltage	440 VAC

Mechanical Attachment

Product Mount Type	Chassis
--------------------	---------

Usage Conditions

Operating Temperature Range	-10 – 40 °C
-----------------------------	-------------

Other

EMI Filters Comment	Dual Stage
---------------------	------------



Product Compliance

[For compliance documentation, visit the product page on TE.com>](#)

EU RoHS Directive 2011/65/EU	Compliant
EU ELV Directive 2000/53/EC	Compliant
China RoHS 2 Directive MIIT Order No 32, 2016	No Restricted Materials Above Threshold
EU REACH Regulation (EC) No. 1907/2006	Current ECHA Candidate List: JUNE 2023 (235) Candidate List Declared Against: JUNE 2023 (235) Does not contain REACH SVHC
Halogen Content	Not Low Halogen - contains Br or Cl > 900 ppm.
Solder Process Capability	Not applicable for solder process capability

Product Compliance Disclaimer

This information is provided based on reasonable inquiry of our suppliers and represents our current actual knowledge based on the information they provided. This information is subject to change. The part numbers that TE has identified as EU RoHS compliant have a maximum concentration of 0.1% by weight in homogenous materials for lead, hexavalent chromium, mercury, PBB, PBDE, DBP, BBP, DEHP, DIBP, and 0.01% for cadmium, or qualify for an exemption to these limits as defined in the Annexes of Directive 2011/65/EU (RoHS2). Finished electrical and electronic equipment products will be CE marked as required by Directive 2011/65/EU. Components may not be CE marked. Additionally, the part numbers that TE has identified as EU ELV compliant have a maximum concentration of 0.1% by weight in homogenous materials for lead, hexavalent chromium, and mercury, and 0.01% for cadmium, or qualify for an exemption to these limits as defined in the Annexes of Directive 2000/53/EC (ELV). Regarding the REACH Regulation, the information TE provides on SVHC in articles for this part number is based on the latest European Chemicals Agency (ECHA) 'Guidance on requirements for substances in articles' posted at this URL: <https://echa.europa.eu/guidance-documents/guidance-on-reach>

Compatible Parts



TE Part # CAT-C8114-AY61
3 Phase Filters, Corcom AYO Series



TE Part # CAT-C8114-A11
EMI Filter Accessories, Corcom A Series



TE Part # 6609977-1
16AYA10 = F7745B

Also in the Series | Corcom AYT



3-Phase Filters(4)

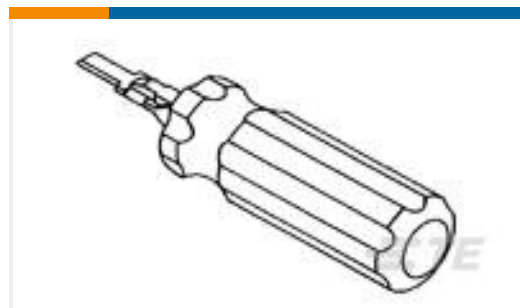
Customers Also Bought



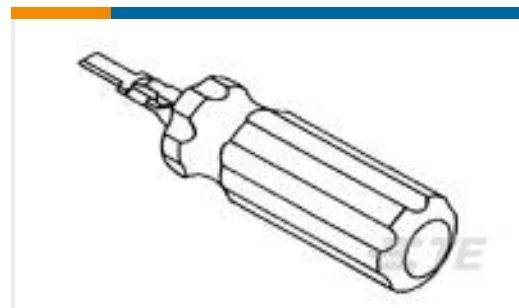
TE Part #2-1625999-6
HSC100 2R2 5%



TE Part #4-1879071-1
THS50 150R 5%



TE Part #189727-1
EXTRACTION TOOL



TE Part #843473-1
EXTRACTION TOOL



TE Part #770986-1
MINI UMNL SOK 26-22AWG SN LP



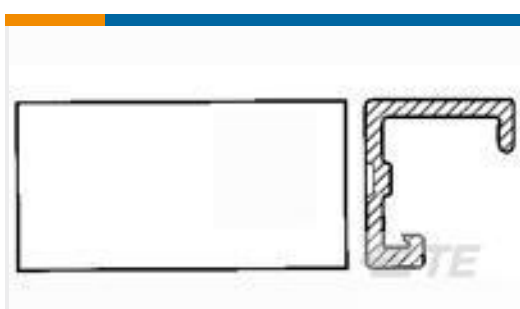
TE Part #2-794617-4
24POS, MICRO MNL, RCPT HSG



TE Part #770580-1
10P MINI UMNL PLUG HSG



TE Part #1445022-6
MICRO MNL RFECEPT HSG SINGLE R



TE Part #640550-4
04P MTA100 COVER



TE Part #2-1393531-6
V23535A3280C101=BKMOD422 FEDER

Documents

Product Drawings

[45AYT6C J0=F7476](#)

English

CAD Files

Customer View Model

[ENG_CVM_CVM_6609073-3_A.2d_dxf.zip](#)

English

Customer View Model



[ENG_CVM_CVM_6609073-3_A.3d_igs.zip](#)

English

Customer View Model

[ENG_CVM_CVM_6609073-3_A.3d_stp.zip](#)

English

3D PDF

3D

Customer View Model

[ENG_CVM_6609073-3_D.3d_igs.zip](#)

English

Customer View Model

[ENG_CVM_6609073-3_D.3d_stp.zip](#)

English

Customer View Model

[ENG_CVM_6609073-3_D.2d_dxf.zip](#)

English

3D PDF

3D

By downloading the CAD file I accept and agree to the [Terms and Conditions](#) of use.

Datasheets & Catalog Pages

[1654001_CORCOM_PRODUCT_GUIDE](#)

English

[1654001_Corcom_Product_Guide_A_Series](#)

English

[Corcom Combined Selector Charts](#)

English

[1-1654250-1_CORCOM_EMI_RFI_QRG](#)

English

[1773449-2_CORCOM_HIGH_CURRENT](#)

English