

6609073-1 ✓ ACTIVE

Corcom | Corcom AYT

TE Internal #: 6609073-1

3-Phase Filters, 20A Current Rating, Stud Input, Stud Output, WYE (4 wire + ground), Operating Voltage 440 VAC, Chassis, Corcom AYT

[View on TE.com >](#)



EMI & EMC Solutions > EMI Filters > Power Line Filters > 3-Phase Filters > 3 Phase Filters, Corcom AYT Series



Current Rating: 20 A

Input Termination Type: Stud

Output Termination Type: Stud

Wiring Configuration: WYE (4 wire + ground)

Operating Voltage: 440 VAC

[All 3 Phase Filters, Corcom AYT Series \(4\)](#)

Features

Product Type Features

Filtering Requirements	Filtered
Input Termination Type	Stud
Output Termination Type	Stud

Configuration Features

Wiring Configuration	WYE (4 wire + ground)
----------------------	-----------------------

Electrical Characteristics

Leakage Current (Max) (250VAC, 50Hz)	3.4 mA
Current Rating	20 A
Operating Voltage	440 VAC

Mechanical Attachment

Product Mount Type	Chassis
--------------------	---------

Usage Conditions

Operating Temperature Range	-10 – 40 °C
-----------------------------	-------------

Other

EMI Filters Comment	Dual Stage
---------------------	------------

Product Compliance

[For compliance documentation, visit the product page on TE.com>](#)

EU RoHS Directive 2011/65/EU	Compliant
EU ELV Directive 2000/53/EC	Compliant
China RoHS 2 Directive MIIT Order No 32, 2016	No Restricted Materials Above Threshold
EU REACH Regulation (EC) No. 1907/2006	Current ECHA Candidate List: JUNE 2023 (235) Candidate List Declared Against: JUNE 2023 (235) Does not contain REACH SVHC
Halogen Content	Not Low Halogen - contains Br or Cl > 900 ppm.
Solder Process Capability	Not applicable for solder process capability

Product Compliance Disclaimer

This information is provided based on reasonable inquiry of our suppliers and represents our current actual knowledge based on the information they provided. This information is subject to change. The part numbers that TE has identified as EU RoHS compliant have a maximum concentration of 0.1% by weight in homogenous materials for lead, hexavalent chromium, mercury, PBB, PBDE, DBP, BBP, DEHP, DIBP, and 0.01% for cadmium, or qualify for an exemption to these limits as defined in the Annexes of Directive 2011/65/EU (RoHS2). Finished electrical and electronic equipment products will be CE marked as required by Directive 2011/65/EU. Components may not be CE marked. Additionally, the part numbers that TE has identified as EU ELV compliant have a maximum concentration of 0.1% by weight in homogenous materials for lead, hexavalent chromium, and mercury, and 0.01% for cadmium, or qualify for an exemption to these limits as defined in the Annexes of Directive 2000/53/EC (ELV). Regarding the REACH Regulation, the information TE provides on SVHC in articles for this part number is based on the latest European Chemicals Agency (ECHA) 'Guidance on requirements for substances in articles' posted at this URL: <https://echa.europa.eu/guidance-documents/guidance-on-reach>

Compatible Parts

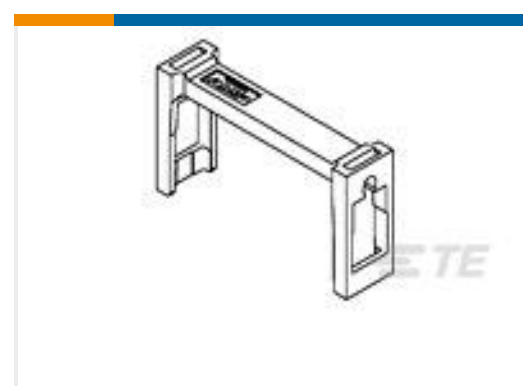


Also in the Series | [Corcom AYT](#)



3-Phase Filters(4)

Customers Also Bought

TE Part #SPD-50-3
STRING POT 50 INCH RANGETE Part #T4171010004-001
M12,REAR MOUNTING,MALE,A,4P,0.2
M WIRETE Part #499252-3
026 STRAIN RELIEF A-L RCPTTE Part #8-31890-1
PIDG R 22-16 COMM 22-18 MIL 8TE Part #1658622-6
26 NOVO MIL/CTR 30DP,LEAD FREETE Part #726387-2
250 FASTON TAB TPBRTE Part #SP1-50
STRING POT 50.0 INCH RANGETE Part #206429-1
CPC PLUG ASSY, 11-4, REV SEXTE Part #1375820-3
CST-100 II HOUSING 3 POSTE Part #1-100103-0
10P.A/L STRAIN REL.

Documents

Product Drawings

20AYT6C J0=F7474

English

CAD Files

3D PDF

3D

Customer View Model

ENG_CVM_CVM_6609073-1_A.2d_dxf.zip



English

Customer View Model

[ENG_CVM_CVM_6609073-1_A.3d_igs.zip](#)

English

Customer View Model

[ENG_CVM_CVM_6609073-1_A.3d_stp.zip](#)

English

By downloading the CAD file I accept and agree to the [Terms and Conditions](#) of use.

Datasheets & Catalog Pages

[1654001_CORCOM_PRODUCT_GUIDE](#)

English

[1654001_Corcom_Product_Guide_A_Series](#)

English

Corcom Combined Selector Charts

English

[1-1654250-1_CORCOM_EMI_RFI_QRG](#)

English