

# 6FC10 ✓ ACTIVE

Corcom | Corcom FC

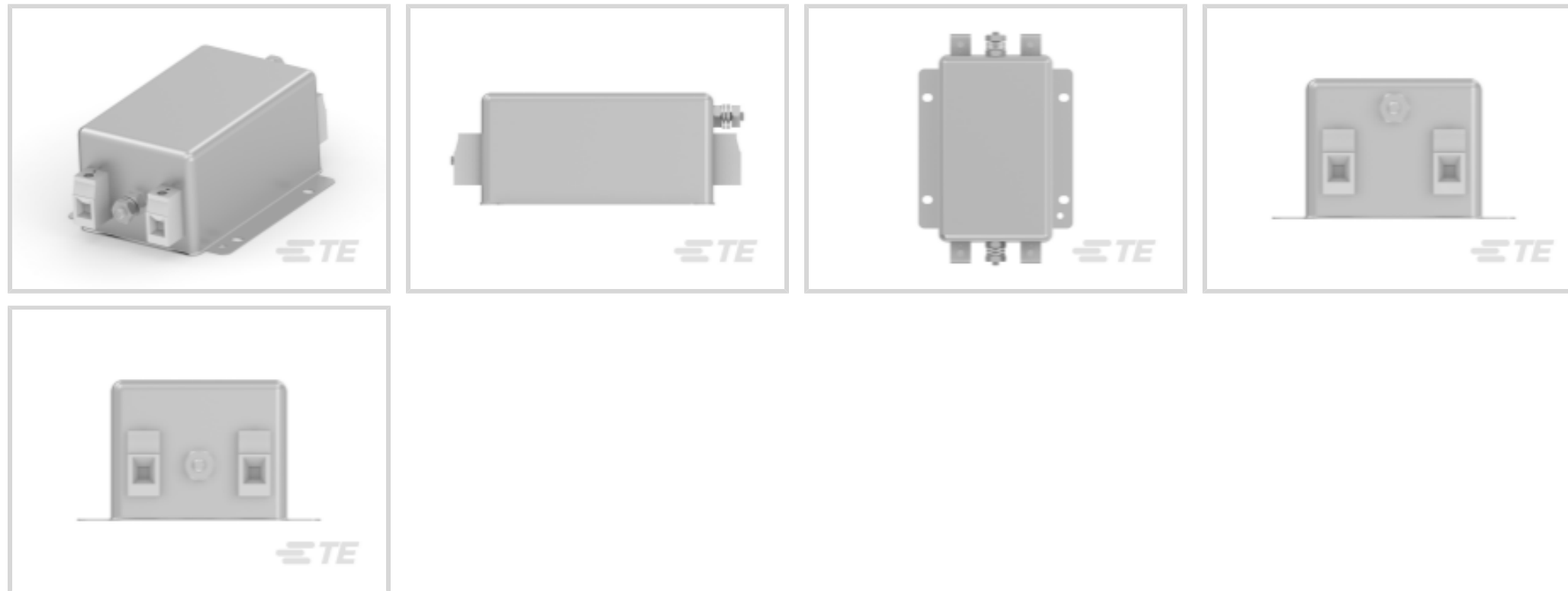
TE Internal #: 6609069-1

Single Phase Filters, 6A Current Rating, Terminal Block Input,  
Terminal Block Output, Corcom FC

[View on TE.com >](#)



EMI & EMC Solutions > EMI Filters > Power Line Filters > Single Phase Filters > Single Phase Filters, Corcom FC Series



Current Rating: **6 A**

Input Termination Type: **Terminal Block**

Output Termination Type: **Terminal Block**

Leakage Current (Max) (120VAC, 60Hz): **3.8 mA**

Leakage Current (Max) (250VAC, 50Hz): **6.7 mA**

[All Single Phase Filters, Corcom FC Series \(11\)](#)

## Features

### Product Type Features

Ground Choke Option	No
Filtering Requirements	Filtered
Input Termination Type	Terminal Block
Output Termination Type	Terminal Block

### Electrical Characteristics

Operating Voltage	250 VAC
Current Rating	6 A
Leakage Current (Max) (120VAC, 60Hz)	3.8 mA
Leakage Current (Max) (250VAC, 50Hz)	6.7 mA

### Mechanical Attachment

Panel Mount Feature Type	Flanged
--------------------------	---------

### Usage Conditions

Operating Temperature Range	-10 – 40 °C
-----------------------------	-------------

## Product Compliance

[For compliance documentation, visit the product page on TE.com>](#)

EU RoHS Directive 2011/65/EU	Compliant
EU ELV Directive 2000/53/EC	Compliant
China RoHS 2 Directive MIIT Order No 32, 2016	No Restricted Materials Above Threshold
EU REACH Regulation (EC) No. 1907/2006	Current ECHA Candidate List: JUNE 2023 (235) Candidate List Declared Against: JUNE 2023 (235) Does not contain REACH SVHC
Halogen Content	Not Low Halogen - contains Br or Cl > 900 ppm.
Solder Process Capability	Not applicable for solder process capability

### Product Compliance Disclaimer

This information is provided based on reasonable inquiry of our suppliers and represents our current actual knowledge based on the information they provided. This information is subject to change. The part numbers that TE has identified as EU RoHS compliant have a maximum concentration of 0.1% by weight in homogenous materials for lead, hexavalent chromium, mercury, PBB, PBDE, DBP, BBP, DEHP, DIBP, and 0.01% for cadmium, or qualify for an exemption to these limits as defined in the Annexes of Directive 2011/65/EU (RoHS2). Finished electrical and electronic equipment products will be CE marked as required by Directive 2011/65/EU. Components may not be CE marked. Additionally, the part numbers that TE has identified as EU ELV compliant have a maximum concentration of 0.1% by weight in homogenous materials for lead, hexavalent chromium, and mercury, and 0.01% for cadmium, or qualify for an exemption to these limits as defined in the Annexes of Directive 2000/53/EC (ELV). Regarding the REACH Regulation, the information TE provides on SVHC in articles for this part number is based on the latest European Chemicals Agency (ECHA) 'Guidance on requirements for substances in articles' posted at this URL: <https://echa.europa.eu/guidance-documents/guidance-on-reach>

## Compatible Parts



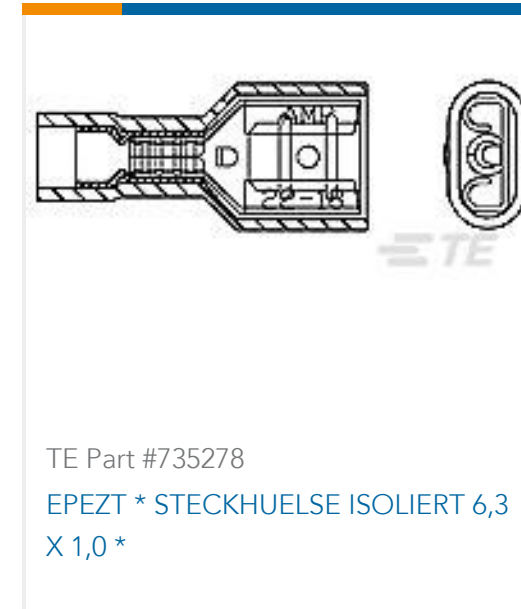
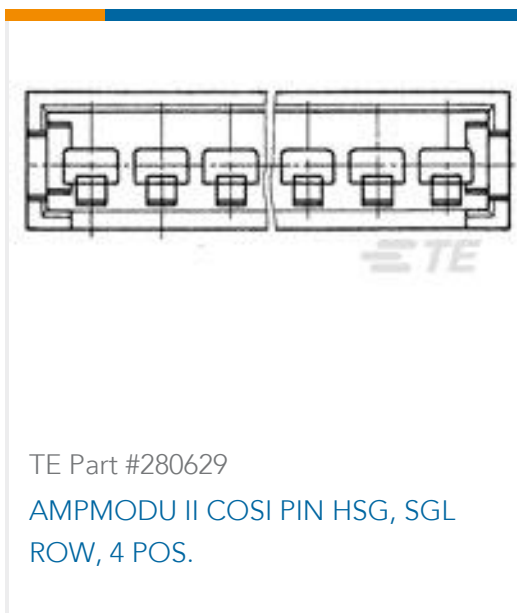
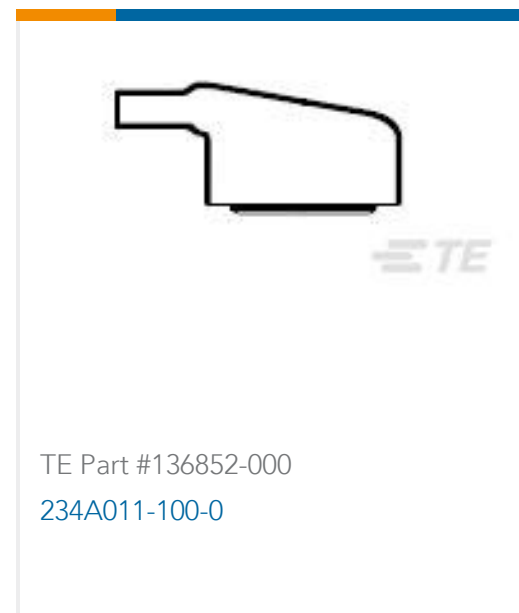
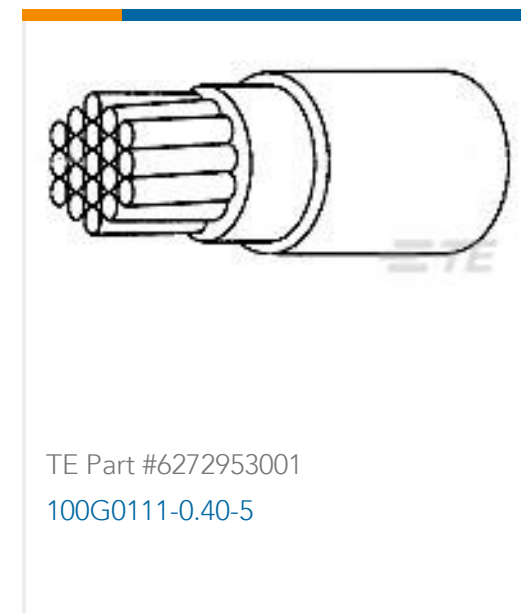
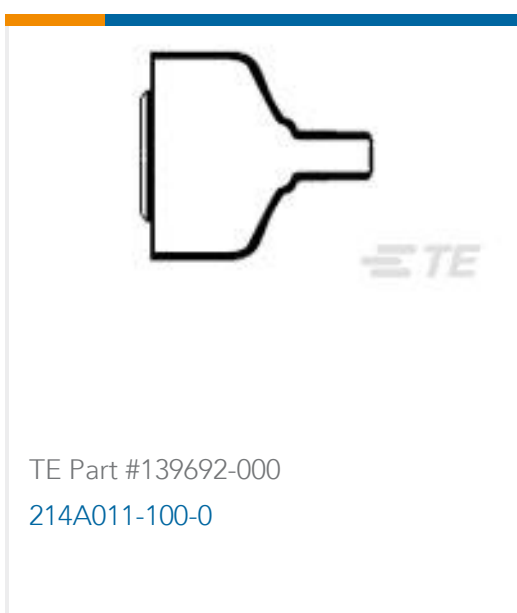
TE Part # CAT-C8114-F299B  
Single Phase Filters, Corcom FC Series

Also in the Series | [Corcom FC](#)



Single Phase Filters(11)

## Customers Also Bought

TE Part #6609069-3  
16FC10 J0=F7740TE Part #6609103-6  
PM0S0DH60=C1239TE Part #5535043-5  
ASSY,RECEPTACLE,EUROCARD,TYPETE Part #735278  
EPEZT \* STECKHUELSE ISOLIERT 6,3  
X 1,0\*TE Part #280629  
AMPMODU II COSI PIN HSG, SGL  
ROW, 4 POS.TE Part #5677564008  
RNF-3000-3/1-0-SPTE Part #136852-000  
234A011-100-0TE Part #6272953001  
100G0111-0.40-5TE Part #139692-000  
214A011-100-0

## Documents

### CAD Files

Customer View Model

[ENG\\_CVM\\_CVM\\_6609069-1\\_C.2d\\_dxf.zip](#)

English

### 3D PDF

3D

Customer View Model

[ENG\\_CVM\\_CVM\\_6609069-1\\_C.3d\\_igs.zip](#)



English

**Customer View Model**

[ENG\\_CVM\\_CVM\\_6609069-1\\_C.3d\\_stp.zip](#)

English

By downloading the CAD file I accept and agree to the [Terms and Conditions](#) of use.

---

**Datasheets & Catalog Pages**

[1654001\\_CORCOM\\_PRODUCT\\_GUIDE](#)

English

[1654001\\_CORCOM\\_PRODUCT\\_GUIDE\\_FC\\_SERIES](#)

English

[Corcom Combined Selector Charts](#)

English

[1-1654250-1\\_CORCOM\\_EMI\\_RFI\\_QRG](#)

English

---

**Agency Approvals**

[UL Report](#)

English