

# 16AYA6A ✓ ACTIVE

Corcom | Corcom AYA

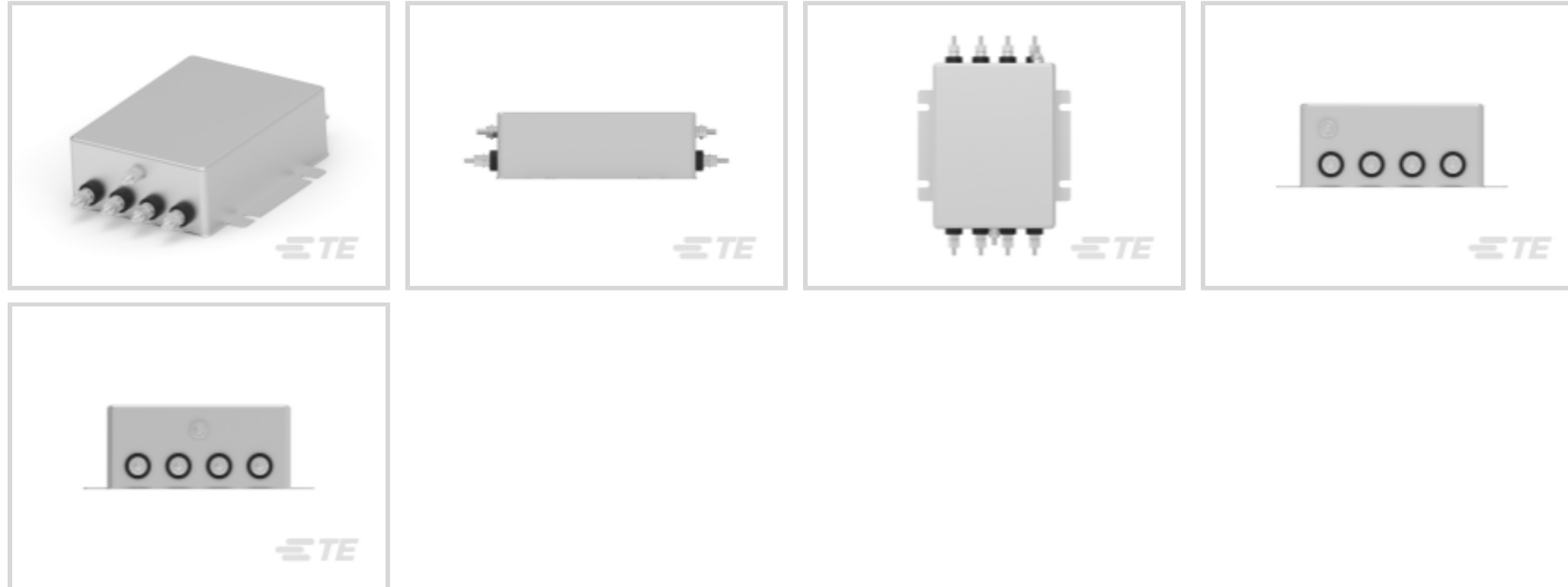
TE Internal #: 6609068-2

3-Phase Filters, 16A Current Rating, Stud Input, Stud Output, WYE (4 wire + ground), Operating Voltage 440 VAC, Chassis, Corcom AYA

[View on TE.com >](#)



EMI & EMC Solutions > EMI Filters > Power Line Filters > 3-Phase Filters > 3 Phase Filters, Corcom AYA Series



Current Rating: **16 A**

Input Termination Type: **Stud**

Output Termination Type: **Stud**

Wiring Configuration: **WYE (4 wire + ground)**

Operating Voltage: **440 VAC**

[All 3 Phase Filters, Corcom AYA Series \(8\)](#)

## Features

### Product Type Features

|                         |          |
|-------------------------|----------|
| Filtering Requirements  | Filtered |
| Input Termination Type  | Stud     |
| Output Termination Type | Stud     |

### Configuration Features

|                      |                       |
|----------------------|-----------------------|
| Wiring Configuration | WYE (4 wire + ground) |
|----------------------|-----------------------|

### Electrical Characteristics

|                                      |         |
|--------------------------------------|---------|
| Leakage Current (Max) (250VAC, 50Hz) | 2.82 mA |
| Current Rating                       | 16 A    |
| Operating Voltage                    | 440 VAC |

### Mechanical Attachment

|                    |         |
|--------------------|---------|
| Product Mount Type | Chassis |
|--------------------|---------|

### Usage Conditions



|                             |             |
|-----------------------------|-------------|
| Operating Temperature Range | -10 – 40 °C |
|-----------------------------|-------------|

### Product Compliance

[For compliance documentation, visit the product page on TE.com>](#)

|   |  |
|---|--|
| EU RoHS Directive 2011/65/EU                  | Compliant  |
| EU ELV Directive 2000/53/EC                   | Compliant  |
| China RoHS 2 Directive MIIT Order No 32, 2016 | No Restricted Materials Above Threshold  |
| EU REACH Regulation (EC) No. 1907/2006        | Current ECHA Candidate List: JUNE 2023 (235)<br>Candidate List Declared Against: JUL 2021 (219)<br>Does not contain REACH SVHC |
| Halogen Content                               | Low Halogen - Br, Cl, F, I < 900 ppm per homogenous material. Also BFR/CFR/PVC Free  |
| Solder Process Capability                     | Not applicable for solder process capability   |

#### Product Compliance Disclaimer

This information is provided based on reasonable inquiry of our suppliers and represents our current actual knowledge based on the information they provided. This information is subject to change. The part numbers that TE has identified as EU RoHS compliant have a maximum concentration of 0.1% by weight in homogenous materials for lead, hexavalent chromium, mercury, PBB, PBDE, DBP, BBP, DEHP, DIBP, and 0.01% for cadmium, or qualify for an exemption to these limits as defined in the Annexes of Directive 2011/65/EU (RoHS2). Finished electrical and electronic equipment products will be CE marked as required by Directive 2011/65/EU. Components may not be CE marked. Additionally, the part numbers that TE has identified as EU ELV compliant have a maximum concentration of 0.1% by weight in homogenous materials for lead, hexavalent chromium, and mercury, and 0.01% for cadmium, or qualify for an exemption to these limits as defined in the Annexes of Directive 2000/53/EC (ELV). Regarding the REACH Regulation, the information TE provides on SVHC in articles for this part number is based on the latest European Chemicals Agency (ECHA) 'Guidance on requirements for substances in articles' posted at this URL: <https://echa.europa.eu/guidance-documents/guidance-on-reach>

### Compatible Parts



TE Part # CAT-C8114-AY61  
3 Phase Filters, Corcom AYO Series



TE Part # CAT-C8114-A11  
EMI Filter Accessories, Corcom A Series



TE Part # 6609977-1  
16AYA10 = F7745B Series

### Also in the Series | Corcom AYA



3-Phase Filters(8)

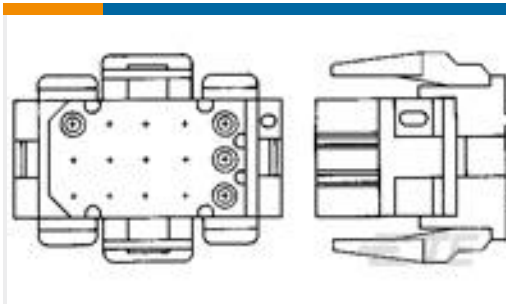
## Customers Also Bought



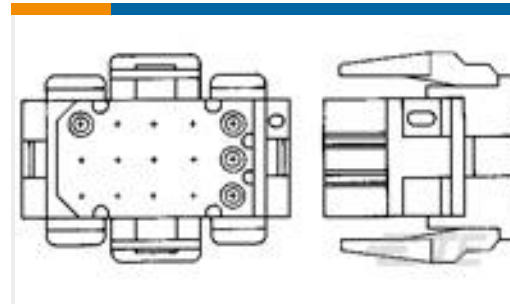
TE Part #8-1393211-4  
T92S11A22-120



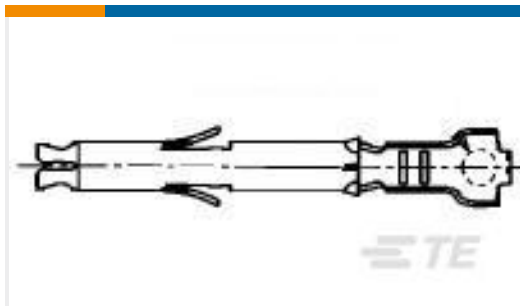
TE Part #5050865-5  
SOCKET,MIN-SPR SN-AU SER-4



TE Part #1-640521-0  
09P MR II PLUG HSG V0



TE Part #1-640520-0  
06P MR II PLUG HSG



TE Part #170366-3  
MINI UNIVERSAL M-N-L SOCKET LP



TE Part #2205069-2  
CA MICRO-MATCH MOW-PB 6POS



TE Part #3-641192-2  
02P MTA100 CONN ASSY BLU LF



TE Part #1-1393248-0  
W33-S1N1Q-20=W33

## Documents

### Product Drawings

[16AYA6A=F7745A](#)

English

[16AYA6A=F7745A](#)

English

### CAD Files

[3D PDF](#)

[3D](#)

[Customer View Model](#)

[ENG\\_CVM\\_CVM\\_6609068-2\\_C.2d\\_dxf.zip](#)

English

[Customer View Model](#)

[ENG\\_CVM\\_CVM\\_6609068-2\\_C.3d\\_igs.zip](#)

English

[Customer View Model](#)

[ENG\\_CVM\\_CVM\\_6609068-2\\_C.3d\\_stp.zip](#)



English

By downloading the CAD file I accept and agree to the [Terms and Conditions](#) of use.

### Datasheets & Catalog Pages

[1654001\\_CORCOM\\_PRODUCT\\_GUIDE](#)

English

[1654001\\_Corcom\\_Product\\_Guide\\_AYA\\_Series](#)

English

[Corcom Combined Selector Charts](#)

English

[1-1654250-1\\_CORCOM\\_EMI\\_RFI\\_QRG](#)

English

### Agency Approvals

[UL Report](#)

English