

36AYC10B ✓ ACTIVE

Corcom | Corcom AYC

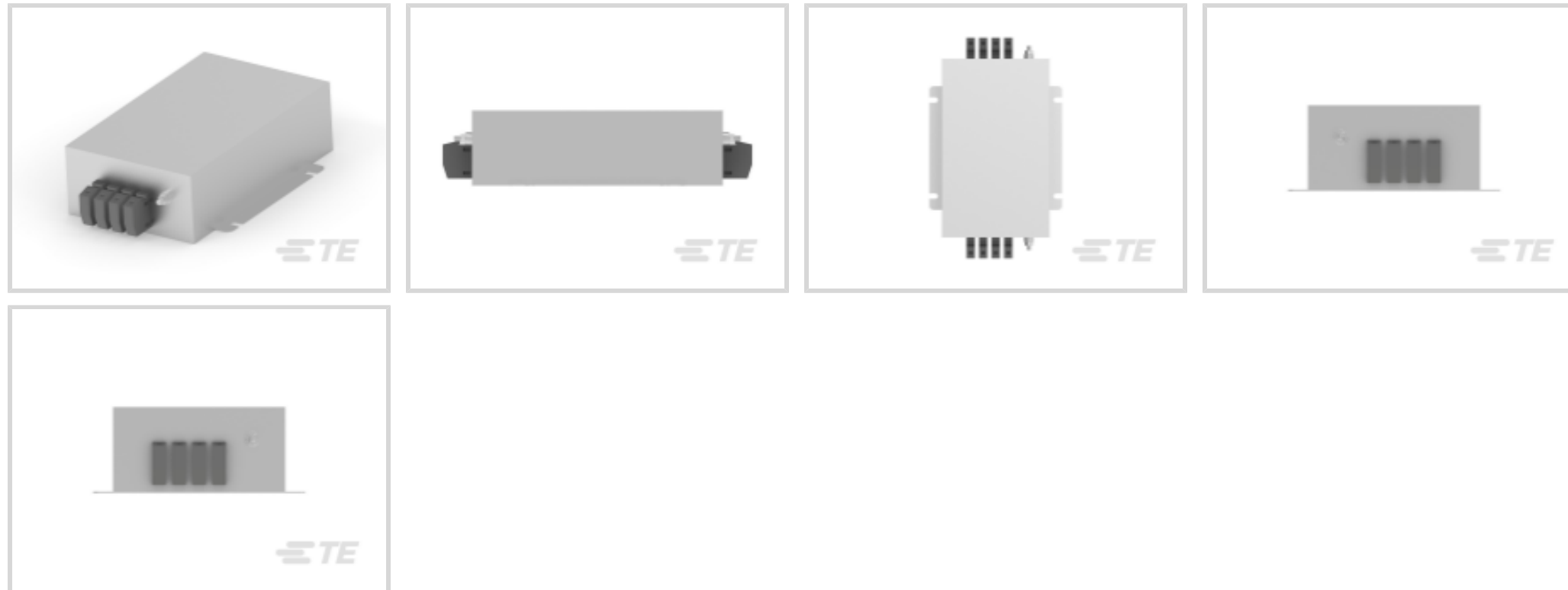
TE Internal #: 6609067-2

3-Phase Filters, 36A Current Rating, Terminal Block Input, Terminal Block Output, WYE (4 wire + ground), Operating Voltage 480 VAC, Corcom AYC

[View on TE.com >](#)



EMI & EMC Solutions > EMI Filters > Power Line Filters > 3-Phase Filters > Corcom 3-Phase Power Line Filters, AYC Series



Current Rating: **36 A**

Input Termination Type: **Terminal Block**

Output Termination Type: **Terminal Block**

Wiring Configuration: **WYE (4 wire + ground)**

Operating Voltage: **480 VAC**

[All Corcom 3-Phase Power Line Filters, AYC Series \(9\)](#)

Features

Product Type Features

Filtering Requirements	Filtered
Input Termination Type	Terminal Block
Output Termination Type	Terminal Block

Configuration Features

Wiring Configuration	WYE (4 wire + ground)
----------------------	-----------------------

Electrical Characteristics

Current Rating	36 A
Operating Voltage	480 VAC

Mechanical Attachment

Product Mount Type	Chassis
--------------------	---------

Usage Conditions

Operating Temperature Range	-10 – 40 °C
-----------------------------	-------------



Product Compliance

[For compliance documentation, visit the product page on TE.com>](#)

EU RoHS Directive 2011/65/EU	Compliant
EU ELV Directive 2000/53/EC	Compliant
China RoHS 2 Directive MIIT Order No 32, 2016	No Restricted Materials Above Threshold
EU REACH Regulation (EC) No. 1907/2006	Current ECHA Candidate List: JUNE 2023 (235) Candidate List Declared Against: JUNE 2022 (224) Does not contain REACH SVHC
Halogen Content	Not Low Halogen - contains Br or Cl > 900 ppm.
Solder Process Capability	Not applicable for solder process capability

Product Compliance Disclaimer

This information is provided based on reasonable inquiry of our suppliers and represents our current actual knowledge based on the information they provided. This information is subject to change. The part numbers that TE has identified as EU RoHS compliant have a maximum concentration of 0.1% by weight in homogenous materials for lead, hexavalent chromium, mercury, PBB, PBDE, DBP, BBP, DEHP, DIBP, and 0.01% for cadmium, or qualify for an exemption to these limits as defined in the Annexes of Directive 2011/65/EU (RoHS2). Finished electrical and electronic equipment products will be CE marked as required by Directive 2011/65/EU. Components may not be CE marked. Additionally, the part numbers that TE has identified as EU ELV compliant have a maximum concentration of 0.1% by weight in homogenous materials for lead, hexavalent chromium, and mercury, and 0.01% for cadmium, or qualify for an exemption to these limits as defined in the Annexes of Directive 2000/53/EC (ELV). Regarding the REACH Regulation, the information TE provides on SVHC in articles for this part number is based on the latest European Chemicals Agency (ECHA) 'Guidance on requirements for substances in articles' posted at this URL: <https://echa.europa.eu/guidance-documents/guidance-on-reach>

Compatible Parts



TE Part # CAT-C8114-AY18
Corcom 3-Phase Power Line Filters, AYC Series



TE Part # CAT-C8114-AY61
3 Phase Filters, Corcom AYO Series



TE Part # CAT-C8114-A11
EMI Filter Accessories, Corcom A Series



TE Part # 6609977-1
16AYA10 = F7745B

Also in the Series | [Corcom AYC](#)



3-Phase Filters(9)

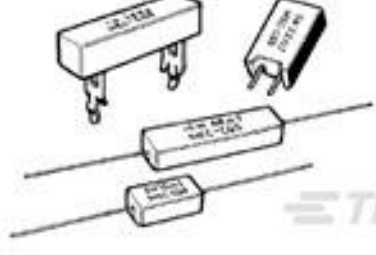
Customers Also Bought



TE Part #6609069-4
25FC10 J0=F7750



TE Part #2-1462051-3
HF3 53S=50OHM140MW 5V MONO



TE Part #2-1623789-6
SQM7 390R 5% (WIRE)



TE Part #6609067-6
150AYC10B=F7809



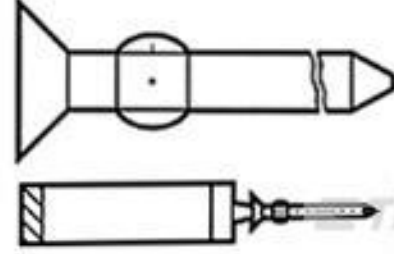
TE Part #1-1393243-7
RTE24615



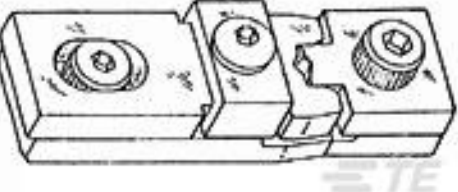
TE Part #794276-1
06P UMNL WIRE SEAL



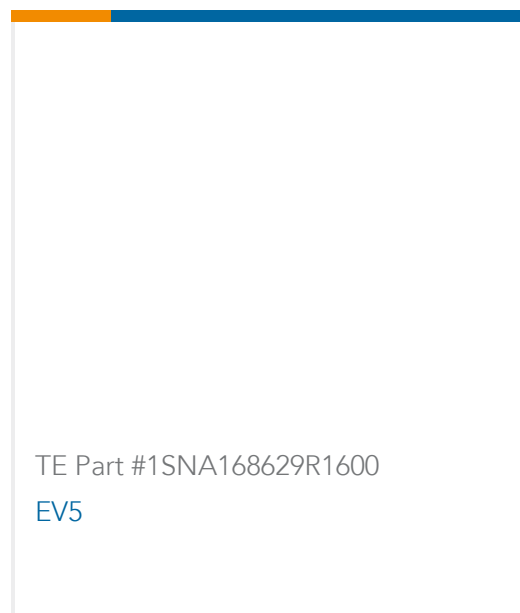
TE Part #1744144-1
EP-II CONTACT LANCELESS, 22-18



TE Part #641994-1
MTA100 KEYING PLUG W/CARRIER



TE Part #59826-1
TETRA-CRIMP DIE 22-18



TE Part #1SNA168629R1600
EV5

Documents

Product Drawings
36AYC10B=F7747D

English

CAD Files
Customer View Model
ENG_CVM_CVM_6609067-2_A.2d_dxf.zip

English

Customer View Model



[ENG_CVM_CVM_6609067-2_A.3d_igs.zip](#)

English

Customer View Model

[ENG_CVM_CVM_6609067-2_A.3d_stp.zip](#)

English

3D PDF

3D

By downloading the CAD file I accept and agree to the [Terms and Conditions](#) of use.

Datasheets & Catalog Pages

[1654001_CORCOM_PRODUCT_GUIDE](#)

English

[1654001_Corcom_Product_Guide_AYC_Series](#)

English

Corcom Combined Selector Charts

English

[1-1654250-1_CORCOM_EMI_RFI_QRG](#)

English

[1773449-2_CORCOM_HIGH_CURRENT](#)

English