

3MV1 ✓ ACTIVE

Corcom | Corcom MV

TE Internal #: 6609056-1

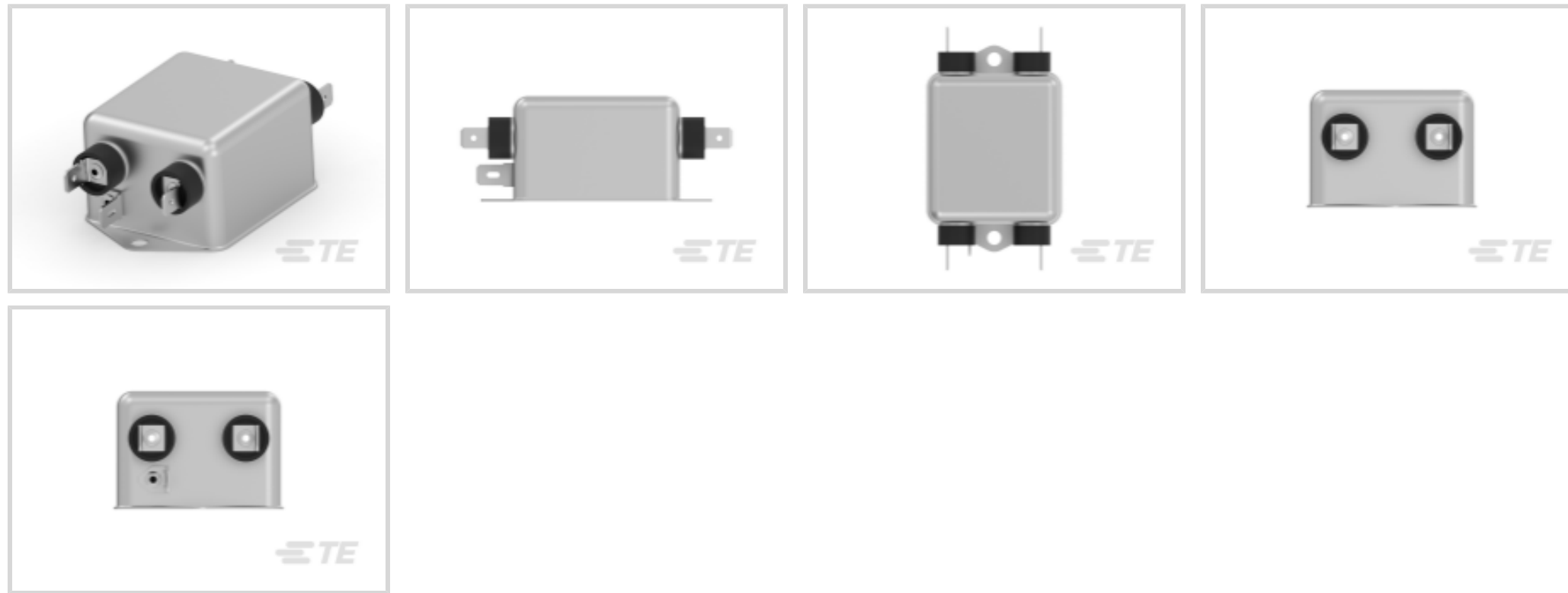
Single Phase Filters, 3 A, Flanged, .250" FASTON Input, .250"

FASTON Output, Corcom MV

[View on TE.com >](#)



EMI & EMC Solutions > EMI Filters > Power Line Filters > Single Phase Filters > Single Phase Filters, Corcom MV Series



Filter Current Rating: 3 A

Filter Mount Style: Flanged

Input Termination Type: .250" FASTON

Output Termination Type: .250" FASTON

Leakage Current (Max) (120VAC, 60Hz): .07 mA

[All Single Phase Filters, Corcom MV Series \(4\)](#)

## Features

### Product Type Features

Ground Choke Option	No
Filter Type	Power Line
Filtering Requirements	Filtered
Input Termination Type	.250" FASTON
Output Termination Type	.250" FASTON

### Electrical Characteristics

Voltage (Max)	250 VAC
Filter Current Rating	3 A
Leakage Current (Max) (120VAC, 60Hz)	.07 mA
Leakage Current (Max) (250VAC, 50Hz)	.13 mA

### Mechanical Attachment

Filter Mount Style	Flanged
--------------------	---------

### Usage Conditions



Operating Temperature Range	-10 – 40 °C
-----------------------------	-------------

### Product Compliance

[For compliance documentation, visit the product page on TE.com>](#)

EU RoHS Directive 2011/65/EU	Compliant
EU ELV Directive 2000/53/EC	Compliant
China RoHS 2 Directive MIIT Order No 32, 2016	No Restricted Materials Above Threshold
EU REACH Regulation (EC) No. 1907/2006	Current ECHA Candidate List: JAN 2023 (233) Candidate List Declared Against: JAN 2022 (223) Does not contain REACH SVHC
Halogen Content	Not Low Halogen - contains Br or Cl > 900 ppm.
Solder Process Capability	Not applicable for solder process capability

#### Product Compliance Disclaimer

This information is provided based on reasonable inquiry of our suppliers and represents our current actual knowledge based on the information they provided. This information is subject to change. The part numbers that TE has identified as EU RoHS compliant have a maximum concentration of 0.1% by weight in homogenous materials for lead, hexavalent chromium, mercury, PBB, PBDE, DBP, BBP, DEHP, DIBP, and 0.01% for cadmium, or qualify for an exemption to these limits as defined in the Annexes of Directive 2011/65/EU (RoHS2). Finished electrical and electronic equipment products will be CE marked as required by Directive 2011/65/EU. Components may not be CE marked. Additionally, the part numbers that TE has identified as EU ELV compliant have a maximum concentration of 0.1% by weight in homogenous materials for lead, hexavalent chromium, and mercury, and 0.01% for cadmium, or qualify for an exemption to these limits as defined in the Annexes of Directive 2000/53/EC (ELV). Regarding the REACH Regulation, the information TE provides on SVHC in articles for this part number is based on the latest European Chemicals Agency (ECHA) 'Guidance on requirements for substances in articles' posted at this URL: <https://echa.europa.eu/guidance-documents/guidance-on-reach>

### Compatible Parts



Also in the Series | **Corcom MV**

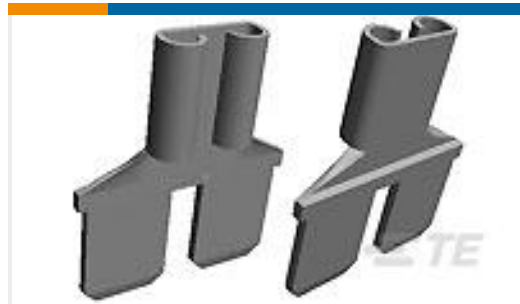


Single Phase Filters(4)

## Customers Also Bought



TE Part #6609012-1  
3EH1=F7645 S0



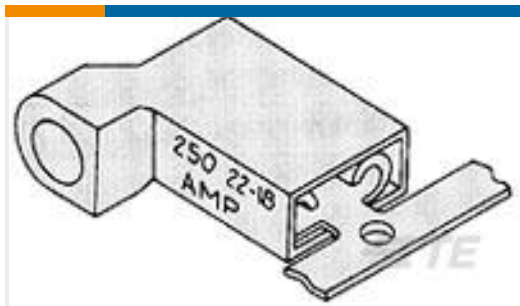
TE Part #61765-2  
FASTON ADAPTER .250 REC TPBR



TE Part #5-103957-1  
10X2 MTE RCPT SR LATCH .100CL



TE Part #770007-1  
UMNL II PIN PTPBR



TE Part #3-521013-2  
ULTRA-FAST 250 ASY REC 16-14 AWG  
TPBR



TE Part #61795-1  
RING 18-14 AWG TPST



TE Part #103945-2  
5X3 MTE SHRD PIN SR LATCH .100



TE Part #5-103957-7  
2X8 MTE RCPT SR LATCH .100CL



TE Part #5-103957-3  
5X4 MTE RCPT SR LATCH .100CL



TE Part #5-103957-4  
4X5 MTE RCPT SR LATCH .100CL

## Documents

### CAD Files

Customer View Model

[ENG\\_CVM\\_CVM\\_6609056-1\\_C1.3d\\_igs.zip](#)

English

Customer View Model

[ENG\\_CVM\\_CVM\\_6609056-1\\_C1.3d\\_stp.zip](#)

English

Customer View Model

[ENG\\_CVM\\_CVM\\_6609056-1\\_C1.2d\\_dxf.zip](#)



English

[3D PDF](#)

[3D](#)

By downloading the CAD file I accept and agree to the [Terms and Conditions](#) of use.

### Datasheets & Catalog Pages

[1654001\\_CORCOM\\_PRODUCT\\_GUIDE](#)

English

[1654001\\_CORCOM\\_PRODUCT\\_GUIDE\\_MV\\_SERIES](#)

English

[Corcom Combined Selector Charts](#)

English

[1-1654250-1\\_CORCOM\\_EMI\\_RFI\\_QRG](#)

English