

# 6EHT7 ✓ ACTIVE

Corcom | Corcom HT

TE Internal #: 6609053-7

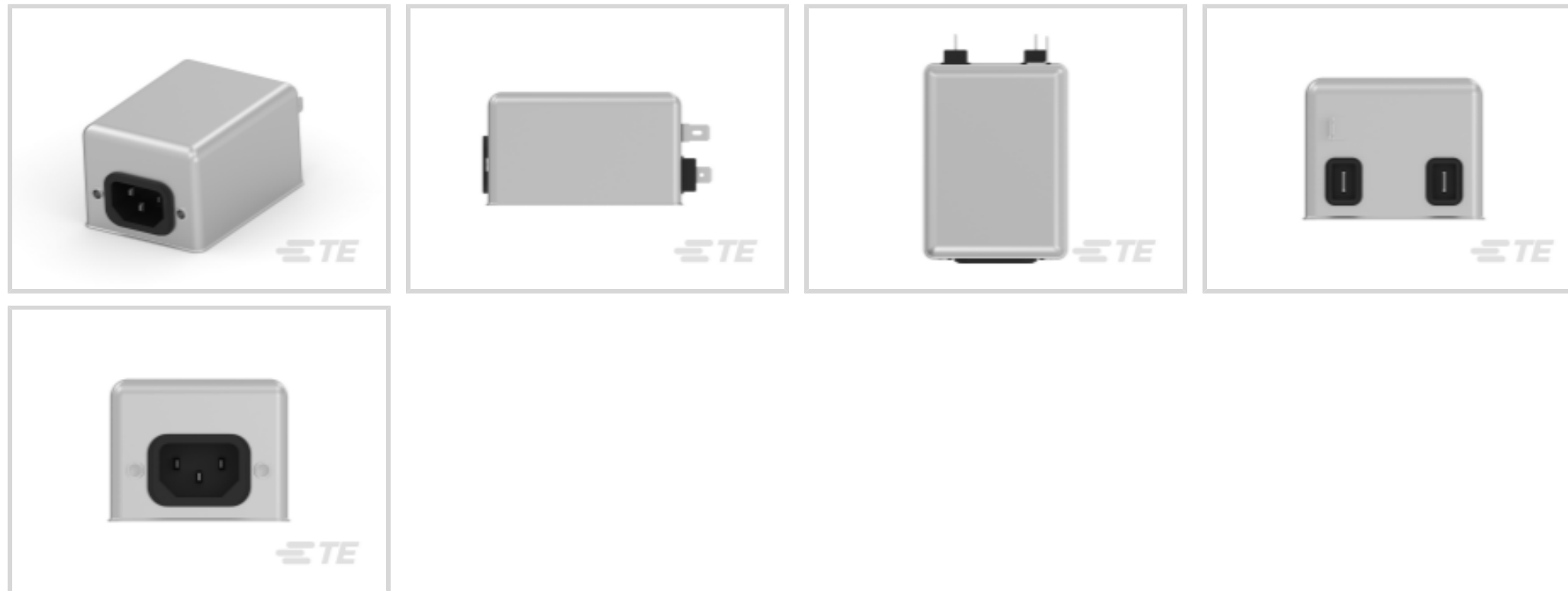
Single Phase Filters, 6 A, Flanged, IEC Input, .250" FASTON

Output, Corcom HT

[View on TE.com >](#)



EMI & EMC Solutions > EMI Filters > Power Line Filters > Single Phase Filters > Single Phase Filters, Corcom HT Series



Filter Current Rating: **6 A**

Filter Mount Style: **Flanged**

Input Termination Type: **IEC**

Output Termination Type: **.250" FASTON**

Leakage Current (Max) (120VAC, 60Hz): **.002 mA**

[All Single Phase Filters, Corcom HT Series \(11\)](#)

## Features

### Product Type Features

Ground Choke Option	No
Filter Type	Power Line
Filtering Requirements	Filtered
Input Termination Type	IEC
Output Termination Type	.250" FASTON

### Electrical Characteristics

Voltage (Max)	250 VAC
Filter Current Rating	6 A
Leakage Current (Max) (120VAC, 60Hz)	.002 mA
Leakage Current (Max) (250VAC, 50Hz)	.005 mA

### Mechanical Attachment

Filter Mount Style	Flanged
--------------------	---------

### Usage Conditions

Operating Temperature Range	-10 – 40 °C
-----------------------------	-------------

## Product Compliance

[For compliance documentation, visit the product page on TE.com>](#)

EU RoHS Directive 2011/65/EU	Compliant
EU ELV Directive 2000/53/EC	Compliant with Exemptions
China RoHS 2 Directive MIIT Order No 32, 2016	No Restricted Materials Above Threshold
EU REACH Regulation (EC) No. 1907/2006	Current ECHA Candidate List: JAN 2023 (233) Candidate List Declared Against: JAN 2022 (223) Does not contain REACH SVHC
Halogen Content	Low Halogen - Br, Cl, F, I < 900 ppm per homogenous material. Also BFR/CFR/PVC Free
Solder Process Capability	Not applicable for solder process capability

### Product Compliance Disclaimer

This information is provided based on reasonable inquiry of our suppliers and represents our current actual knowledge based on the information they provided. This information is subject to change. The part numbers that TE has identified as EU RoHS compliant have a maximum concentration of 0.1% by weight in homogenous materials for lead, hexavalent chromium, mercury, PBB, PBDE, DBP, BBP, DEHP, DIBP, and 0.01% for cadmium, or qualify for an exemption to these limits as defined in the Annexes of Directive 2011/65/EU (RoHS2). Finished electrical and electronic equipment products will be CE marked as required by Directive 2011/65/EU. Components may not be CE marked. Additionally, the part numbers that TE has identified as EU ELV compliant have a maximum concentration of 0.1% by weight in homogenous materials for lead, hexavalent chromium, and mercury, and 0.01% for cadmium, or qualify for an exemption to these limits as defined in the Annexes of Directive 2000/53/EC (ELV). Regarding the REACH Regulation, the information TE provides on SVHC in articles for this part number is based on the latest European Chemicals Agency (ECHA) 'Guidance on requirements for substances in articles' posted at this URL: <https://echa.europa.eu/guidance-documents/guidance-on-reach>

## Compatible Parts



Also in the Series | [Corcom HT](#)



Single Phase Filters(11)

### Customers Also Bought



TE Part #9-1611010-8  
3100-30T9999CY=30A 3P 120V MOD



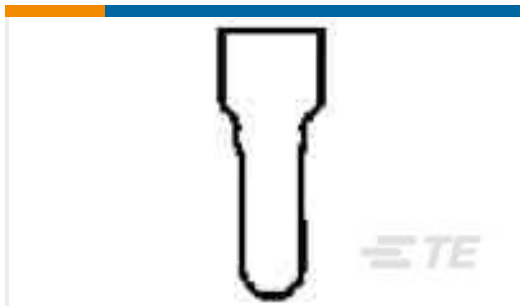
TE Part #2-6609115-3  
6EGG1-2=F7386D



TE Part #1393212-2  
T92S7A22-120



TE Part #6609015-9  
15EF1F=F7701 S0



TE Part #35653  
SPLICE,N CE 22-10



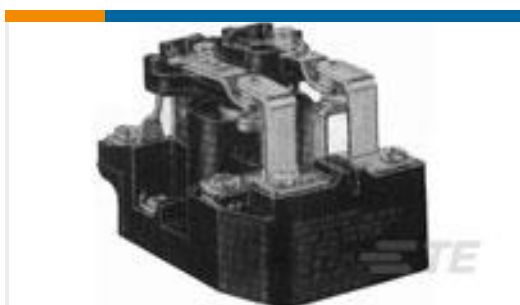
TE Part #42219-1  
250 FASTON REC 18-14 AWG NPST



TE Part #3-1393118-8  
KUP-14D55-24=KU



TE Part #6609001-7  
6EEB1 S0=F7405



TE Part #2-1393130-9  
PRD-7DY0-24=PRD

### Documents

#### Product Drawings

[6EHT7=F7666 S0](#)

English

#### CAD Files

Customer View Model

[ENG\\_CVM\\_CVM\\_6609053-7\\_C1.3d\\_igs.zip](#)

English

Customer View Model



[ENG\\_CVM\\_CVM\\_6609053-7\\_C1.3d\\_stp.zip](#)

English

**Customer View Model**

[ENG\\_CVM\\_CVM\\_6609053-7\\_C1.2d\\_dxf.zip](#)

English

**3D PDF**

3D

By downloading the CAD file I accept and agree to the [Terms and Conditions](#) of use.

---

### Datasheets & Catalog Pages

[1654001\\_CORCOM\\_PRODUCT\\_GUIDE](#)

English

[1654001\\_CORCOM\\_PRODUCT\\_GUIDE\\_HT\\_SERIES](#)

English

**Corcom Combined Selector Charts**

English

[1-1654250-1\\_CORCOM\\_EMI\\_RFI\\_QRG](#)

English