

6609053-5 ✓ ACTIVE

Corcom | Corcom HT

TE Internal #: 6609053-5

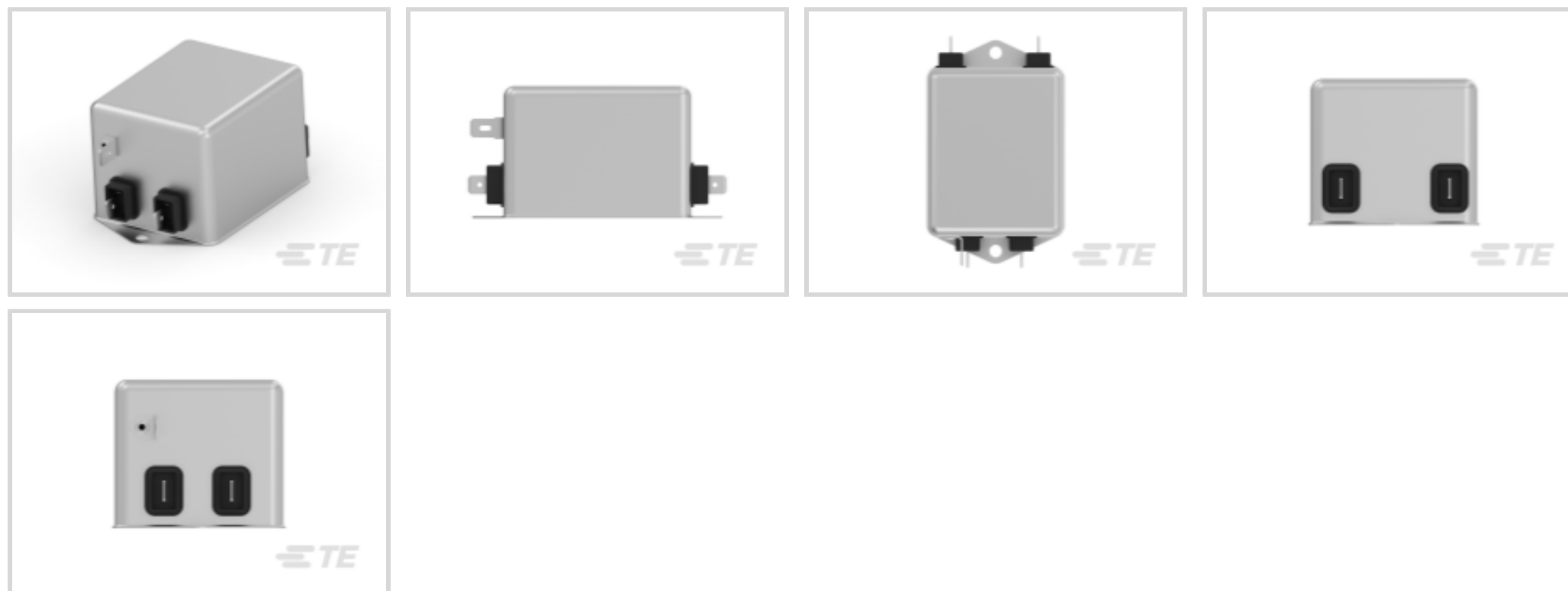
Single Phase Filters, 6A Current Rating, .250" FASTON Input, .250"

FASTON Output, Corcom HT

[View on TE.com >](#)



EMI & EMC Solutions > EMI Filters > Power Line Filters > Single Phase Filters > Single Phase Filters, Corcom HT Series



Current Rating: 6 A

Input Termination Type: .250" FASTON

Output Termination Type: .250" FASTON

Leakage Current (Max) (120VAC, 60Hz): .002 mA

Leakage Current (Max) (250VAC, 50Hz): .005 mA

[All Single Phase Filters, Corcom HT Series \(11\)](#)

## Features

### Product Type Features

Ground Choke Option	No
Filtering Requirements	Filtered
Input Termination Type	.250" FASTON
Output Termination Type	.250" FASTON

### Electrical Characteristics

Operating Voltage	250 VAC
Current Rating	6 A
Leakage Current (Max) (120VAC, 60Hz)	.002 mA
Leakage Current (Max) (250VAC, 50Hz)	.005 mA

### Mechanical Attachment

Panel Mount Feature Type	Flanged
--------------------------	---------

### Usage Conditions

Operating Temperature Range	-10 – 40 °C
-----------------------------	-------------



## Product Compliance

[For compliance documentation, visit the product page on TE.com>](#)

EU RoHS Directive 2011/65/EU	Compliant
EU ELV Directive 2000/53/EC	Compliant
China RoHS 2 Directive MIIT Order No 32, 2016	No Restricted Materials Above Threshold
EU REACH Regulation (EC) No. 1907/2006	Current ECHA Candidate List: JUNE 2023 (235) Candidate List Declared Against: JUNE 2022 (224) Does not contain REACH SVHC
Halogen Content	Low Halogen - Br, Cl, F, I < 900 ppm per homogenous material. Also BFR/CFR/PVC Free
Solder Process Capability	Not applicable for solder process capability

### Product Compliance Disclaimer

This information is provided based on reasonable inquiry of our suppliers and represents our current actual knowledge based on the information they provided. This information is subject to change. The part numbers that TE has identified as EU RoHS compliant have a maximum concentration of 0.1% by weight in homogenous materials for lead, hexavalent chromium, mercury, PBB, PBDE, DBP, BBP, DEHP, DIBP, and 0.01% for cadmium, or qualify for an exemption to these limits as defined in the Annexes of Directive 2011/65/EU (RoHS2). Finished electrical and electronic equipment products will be CE marked as required by Directive 2011/65/EU. Components may not be CE marked. Additionally, the part numbers that TE has identified as EU ELV compliant have a maximum concentration of 0.1% by weight in homogenous materials for lead, hexavalent chromium, and mercury, and 0.01% for cadmium, or qualify for an exemption to these limits as defined in the Annexes of Directive 2000/53/EC (ELV). Regarding the REACH Regulation, the information TE provides on SVHC in articles for this part number is based on the latest European Chemicals Agency (ECHA) 'Guidance on requirements for substances in articles' posted at this URL: <https://echa.europa.eu/guidance-documents/guidance-on-reach>

## Compatible Parts

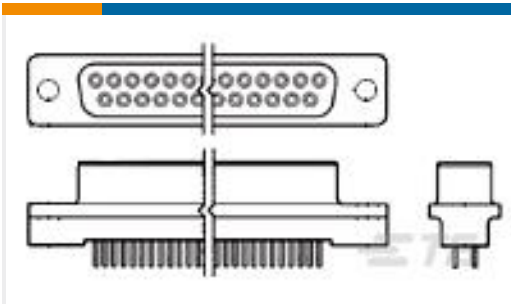
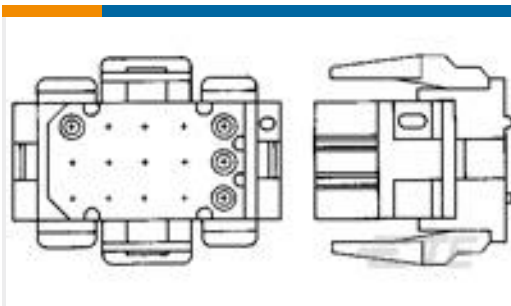
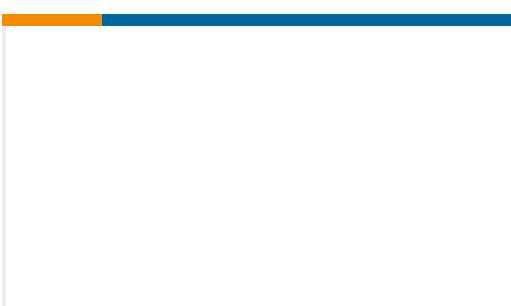


Also in the Series | [Corcom HT](#)



Single Phase Filters(11)

## Customers Also Bought

TE Part #1658640-2  
RECP. ASSEMBLY SIZE 5TE Part #5207826-3  
HD-20 RCPT 9P VERTTE Part #20005913-05  
PRES,SENSOR,MPS;1620-H-N-T(H=A)TE Part #3-1393127-8  
PRD-11DGO-24=PRDTE Part #5748676-5  
DIE CAST CBL CLMP KIT,SZ 5TE Part #1-640521-0  
09P MR II PLUG HSG V0TE Part #5-103639-5  
06 MTE HDR SRST LATCH .100CLTE Part #8-1437565-0  
FSMCTTR=TACTILE SWITCH T&RTE Part #1423313-1  
W28-XT1A-16=CKT BKR,QC.250FUSETE Part #20015265-00  
PRES,SENSOR,MPS;1620-H-N-A3047

## Documents

### Product Drawings

[6EHT1=F7664 S0](#)

English

### CAD Files

Customer View Model

[ENG\\_CVM\\_CVM\\_6609053-5\\_E1.3d\\_igs.zip](#)

English

Customer View Model



[ENG\\_CVM\\_CVM\\_6609053-5\\_E1.3d\\_stp.zip](#)

English

**Customer View Model**

[ENG\\_CVM\\_CVM\\_6609053-5\\_E1.2d\\_dxf.zip](#)

English

**3D PDF**

3D

By downloading the CAD file I accept and agree to the [Terms and Conditions](#) of use.

---

### Datasheets & Catalog Pages

[1654001\\_CORCOM\\_PRODUCT\\_GUIDE](#)

English

[1654001\\_CORCOM\\_PRODUCT\\_GUIDE\\_HT\\_SERIES](#)

English

**Corcom Combined Selector Charts**

English

[1-1654250-1\\_CORCOM\\_EMI\\_RFI\\_QRG](#)

English