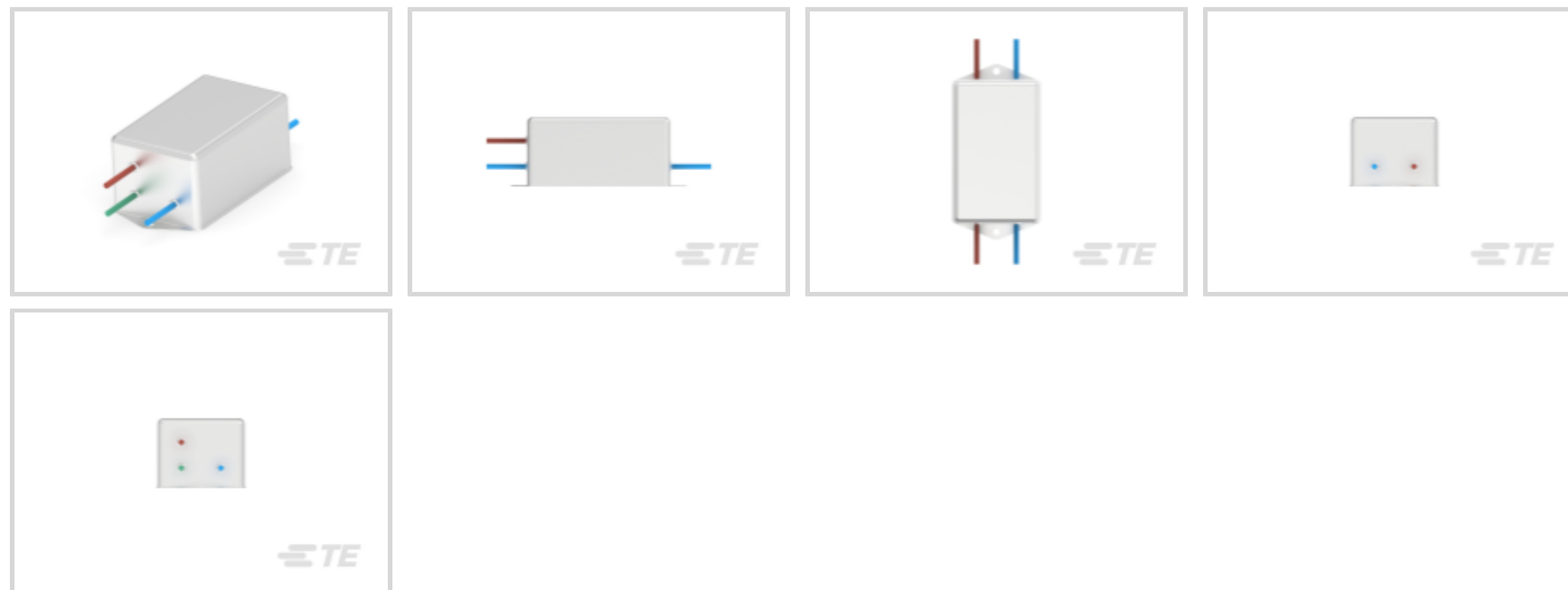




EMI & EMC Solutions > EMI Filters > Power Line Filters > Single Phase Filters > Single Phase Filters, Corcom T Series



Current Rating: **10 A**

Input Termination Type: **Wire Lead**

Output Termination Type: **Wire Lead**

Leakage Current (Max) (120VAC, 60Hz): **.75 mA**

Leakage Current (Max) (250VAC, 50Hz): **1.25 mA**

[All Single Phase Filters, Corcom T Series \(18\)](#)

Features

Product Type Features

Ground Choke Option	No
Filtering Requirements	Filtered
Input Termination Type	Wire Lead
Output Termination Type	Wire Lead

Electrical Characteristics

Operating Voltage	250 VAC
Current Rating	10 A
Leakage Current (Max) (120VAC, 60Hz)	.75 mA
Leakage Current (Max) (250VAC, 50Hz)	1.25 mA

Mechanical Attachment

Panel Mount Feature Type	Flanged
--------------------------	---------

Usage Conditions

Operating Temperature Range	-10 – 40 °C
-----------------------------	-------------

Product Compliance

[For compliance documentation, visit the product page on TE.com>](#)

EU RoHS Directive 2011/65/EU	Compliant
EU ELV Directive 2000/53/EC	Compliant
China RoHS 2 Directive MIIT Order No 32, 2016	No Restricted Materials Above Threshold
EU REACH Regulation (EC) No. 1907/2006	Current ECHA Candidate List: JUNE 2023 (235) Candidate List Declared Against: JAN 2022 (223) Does not contain REACH SVHC
Halogen Content	Low Halogen - Br, Cl, F, I < 900 ppm per homogenous material. Also BFR/CFR/PVC Free
Solder Process Capability	Not applicable for solder process capability

Product Compliance Disclaimer

This information is provided based on reasonable inquiry of our suppliers and represents our current actual knowledge based on the information they provided. This information is subject to change. The part numbers that TE has identified as EU RoHS compliant have a maximum concentration of 0.1% by weight in homogenous materials for lead, hexavalent chromium, mercury, PBB, PBDE, DBP, BBP, DEHP, DIBP, and 0.01% for cadmium, or qualify for an exemption to these limits as defined in the Annexes of Directive 2011/65/EU (RoHS2). Finished electrical and electronic equipment products will be CE marked as required by Directive 2011/65/EU. Components may not be CE marked. Additionally, the part numbers that TE has identified as EU ELV compliant have a maximum concentration of 0.1% by weight in homogenous materials for lead, hexavalent chromium, and mercury, and 0.01% for cadmium, or qualify for an exemption to these limits as defined in the Annexes of Directive 2000/53/EC (ELV). Regarding the REACH Regulation, the information TE provides on SVHC in articles for this part number is based on the latest European Chemicals Agency (ECHA) 'Guidance on requirements for substances in articles' posted at this URL: <https://echa.europa.eu/guidance-documents/guidance-on-reach>

Compatible Parts

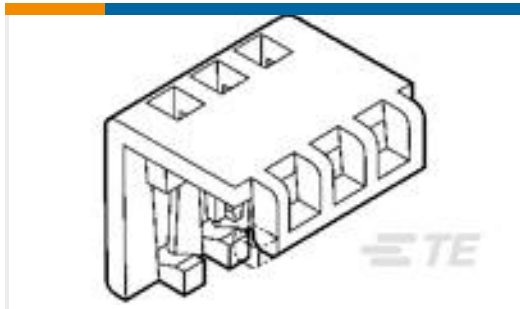


Also in the Series | [Corcom T](#)



Single Phase Filters(18)

Customers Also Bought



TE Part #643075-4
04P MTA100 MOLDED COVER



TE Part #2-6609037-0
10EMC3=F8148



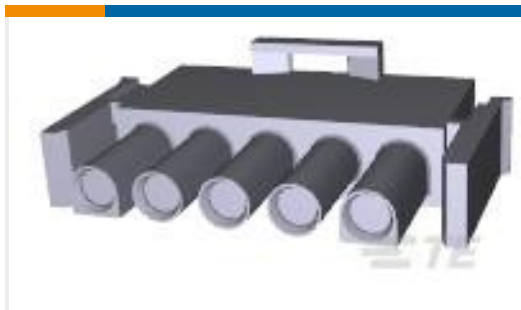
TE Part #5535653-1
68 MEM CARD HDR STD T/H TOP



TE Part #1393774-1
V23026A1001B201



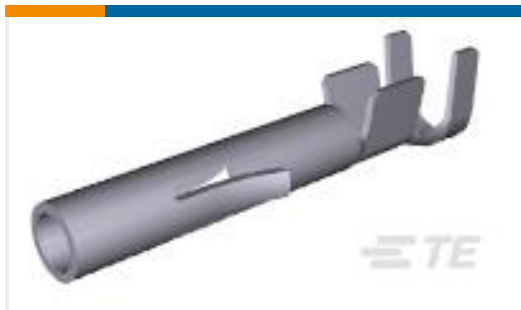
TE Part #770583-1
16P MINI UMNL PLUG HSG



TE Part #350809-1
05P UMNL PLUG HSG



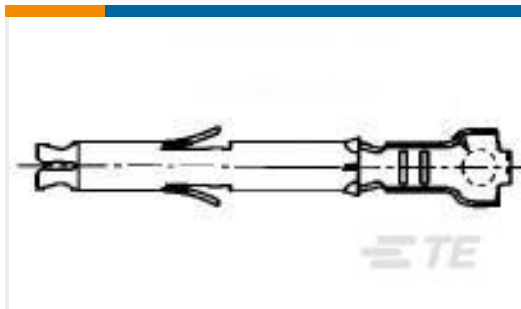
TE Part #1-322249-1
PG SPDFLG 22-16COMM 22-18MIL 6



TE Part #350536-1
UMNL SOK 20-14 .0126 PTPBR



TE Part #350537-1
UMNL SOK 20-14 .0126 PTPBR



TE Part #170366-4
MINI UNIVERSAL M-N-L SOCKET LP

Documents

Product Drawings

[10VT3=F7330 S0](#)

English

CAD Files

Customer View Model

[ENG_CVM_6609047-2_1.3d_igs.zip](#)

English

Customer View Model



[ENG_CVM_6609047-2_1.3d_stp.zip](#)

English

Customer View Model

[ENG_CVM_6609047-2_1.2d_dxf.zip](#)

English

3D PDF

3D

Customer View Model

[ENG_CVM_CVM_6609047-2_1.2d_dxf.zip](#)

English

Customer View Model

[ENG_CVM_CVM_6609047-2_1.3d_igs.zip](#)

English

Customer View Model

[ENG_CVM_CVM_6609047-2_1.3d_stp.zip](#)

English

3D PDF

3D

By downloading the CAD file I accept and agree to the [Terms and Conditions](#) of use.

Datasheets & Catalog Pages

[1654001_CORCOM_PRODUCT_GUIDE](#)

English

[1654001_CORCOM_PRODUCT_GUIDE_T_SERIES](#)

English

[Corcom Combined Selector Charts](#)

English

[1-1654250-1_CORCOM_EMI_RFI_QRG](#)

English