

20VV6 ✓ ACTIVE

Corcom | Corcom V

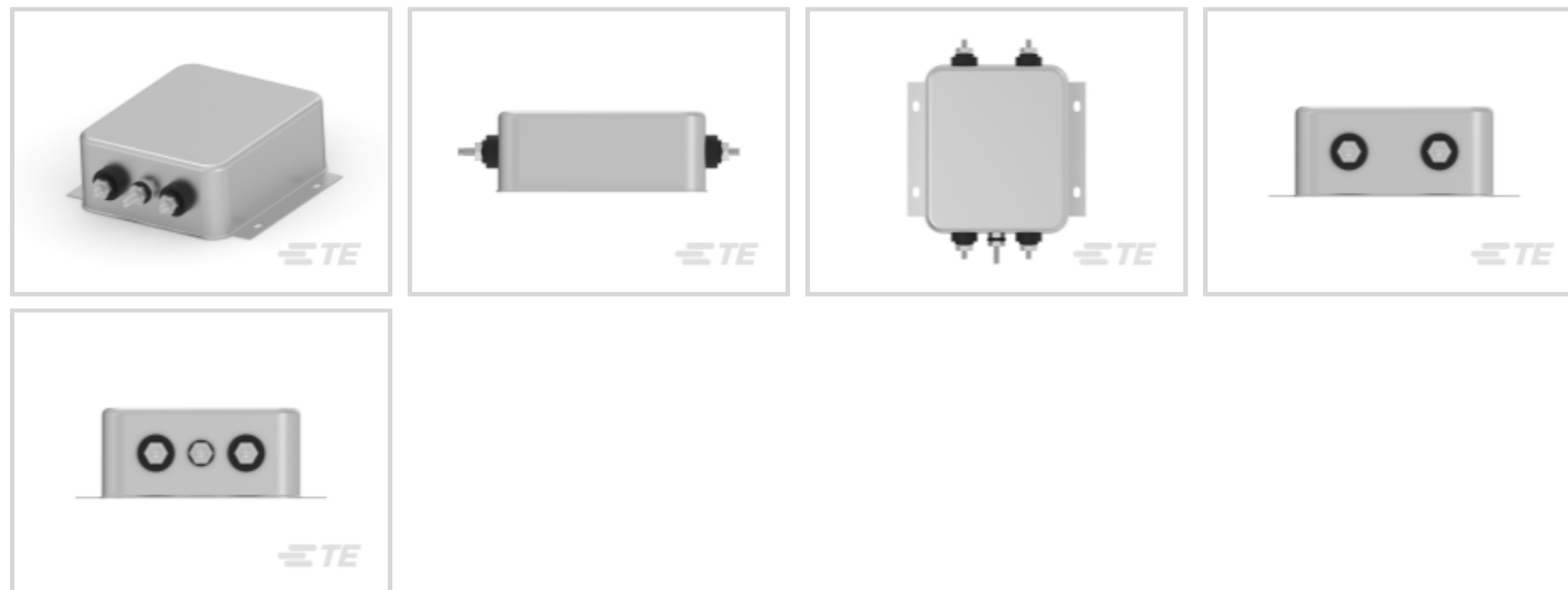
TE Internal #: 6609043-5

Single Phase Filters, 20A Current Rating, Stud Input, Stud Output,  
Corcom V

[View on TE.com >](#)



EMI & EMC Solutions > EMI Filters > Power Line Filters > Single Phase Filters > Single Phase Filters, Corcom V Series



Current Rating: **20 A**

Input Termination Type: **Stud**

Output Termination Type: **Stud**

Leakage Current (Max) (120VAC, 60Hz): **.5 mA**

Leakage Current (Max) (250VAC, 50Hz): **.82 mA**

[All Single Phase Filters, Corcom V Series \(5\)](#)

## Features

### Product Type Features

Ground Choke Option	No
Filtering Requirements	Filtered
Input Termination Type	Stud
Output Termination Type	Stud

### Electrical Characteristics

Operating Voltage	250 VAC
Current Rating	20 A
Leakage Current (Max) (120VAC, 60Hz)	.5 mA
Leakage Current (Max) (250VAC, 50Hz)	.82 mA

### Mechanical Attachment

Panel Mount Feature Type	Flanged
--------------------------	---------

### Usage Conditions

Operating Temperature Range	-10 – 40 °C
-----------------------------	-------------

## Product Compliance

[For compliance documentation, visit the product page on TE.com>](#)

EU RoHS Directive 2011/65/EU	Compliant
EU ELV Directive 2000/53/EC	Compliant
China RoHS 2 Directive MIIT Order No 32, 2016	No Restricted Materials Above Threshold
EU REACH Regulation (EC) No. 1907/2006	Current ECHA Candidate List: JUNE 2023 (235) Candidate List Declared Against: JUNE 2023 (235) Does not contain REACH SVHC
Halogen Content	Not Low Halogen - contains Br or Cl > 900 ppm.
Solder Process Capability	Not applicable for solder process capability

### Product Compliance Disclaimer

This information is provided based on reasonable inquiry of our suppliers and represents our current actual knowledge based on the information they provided. This information is subject to change. The part numbers that TE has identified as EU RoHS compliant have a maximum concentration of 0.1% by weight in homogenous materials for lead, hexavalent chromium, mercury, PBB, PBDE, DBP, BBP, DEHP, DIBP, and 0.01% for cadmium, or qualify for an exemption to these limits as defined in the Annexes of Directive 2011/65/EU (RoHS2). Finished electrical and electronic equipment products will be CE marked as required by Directive 2011/65/EU. Components may not be CE marked. Additionally, the part numbers that TE has identified as EU ELV compliant have a maximum concentration of 0.1% by weight in homogenous materials for lead, hexavalent chromium, and mercury, and 0.01% for cadmium, or qualify for an exemption to these limits as defined in the Annexes of Directive 2000/53/EC (ELV). Regarding the REACH Regulation, the information TE provides on SVHC in articles for this part number is based on the latest European Chemicals Agency (ECHA) 'Guidance on requirements for substances in articles' posted at this URL: <https://echa.europa.eu/guidance-documents/guidance-on-reach>

## Compatible Parts



Also in the Series | [Corcom V](#)



Single Phase Filters(5)

## Customers Also Bought



TE Part #4-640440-0  
10P MTA100 CONN ASSY 22AWG RED



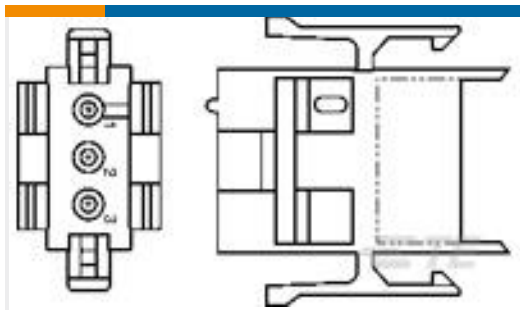
TE Part #66332-8  
Strip Pin and Socket Contacts, Type III



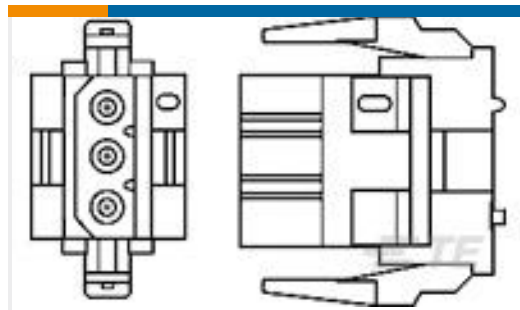
TE Part #208716-1  
CMC PLUG ASSEMBLY,SZ 14



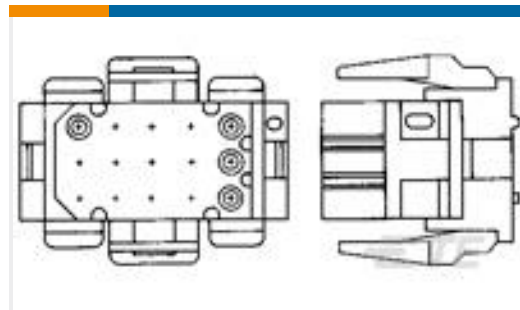
TE Part #770258-1  
SL.156 .045 POST CONTACT AU



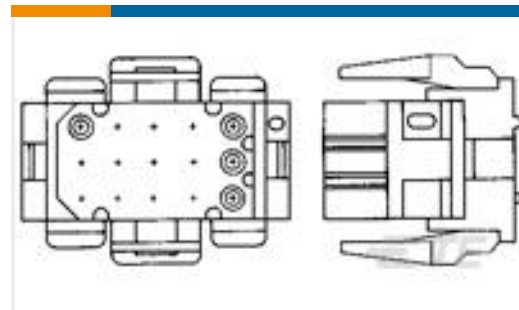
TE Part #1-640508-0  
03P MR II CAP HSG V0



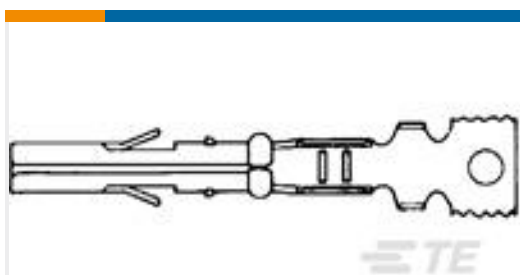
TE Part #1-640518-0  
03P MR II PLUG HSG



TE Part #1-640521-0  
09P MR II PLUG HSG V0



TE Part #1-640520-0  
06P MR II PLUG HSG



TE Part #641294-1  
MR RECPT 26-18 PTPHBZ

## Documents

### CAD Files

Customer View Model

[ENG\\_CVM\\_CVM\\_6609043-5\\_B1.3d\\_igs.zip](#)

English

Customer View Model

[ENG\\_CVM\\_CVM\\_6609043-5\\_B1.3d\\_stp.zip](#)

English

Customer View Model

[ENG\\_CVM\\_CVM\\_6609043-5\\_B1.2d\\_dxf.zip](#)



English

[3D PDF](#)

[3D](#)

By downloading the CAD file I accept and agree to the [Terms and Conditions](#) of use.

### Datasheets & Catalog Pages

[1654001\\_CORCOM\\_PRODUCT\\_GUIDE](#)

English

[1654001\\_CORCOM\\_PRODUCT\\_GUIDE\\_V\\_W\\_SERIES](#)

English

[Corcom Combined Selector Charts](#)

English

[1-1654250-1\\_CORCOM\\_EMI\\_RFI\\_QRG](#)

English