

3VK7 ✓ ACTIVE

Corcom | Corcom K

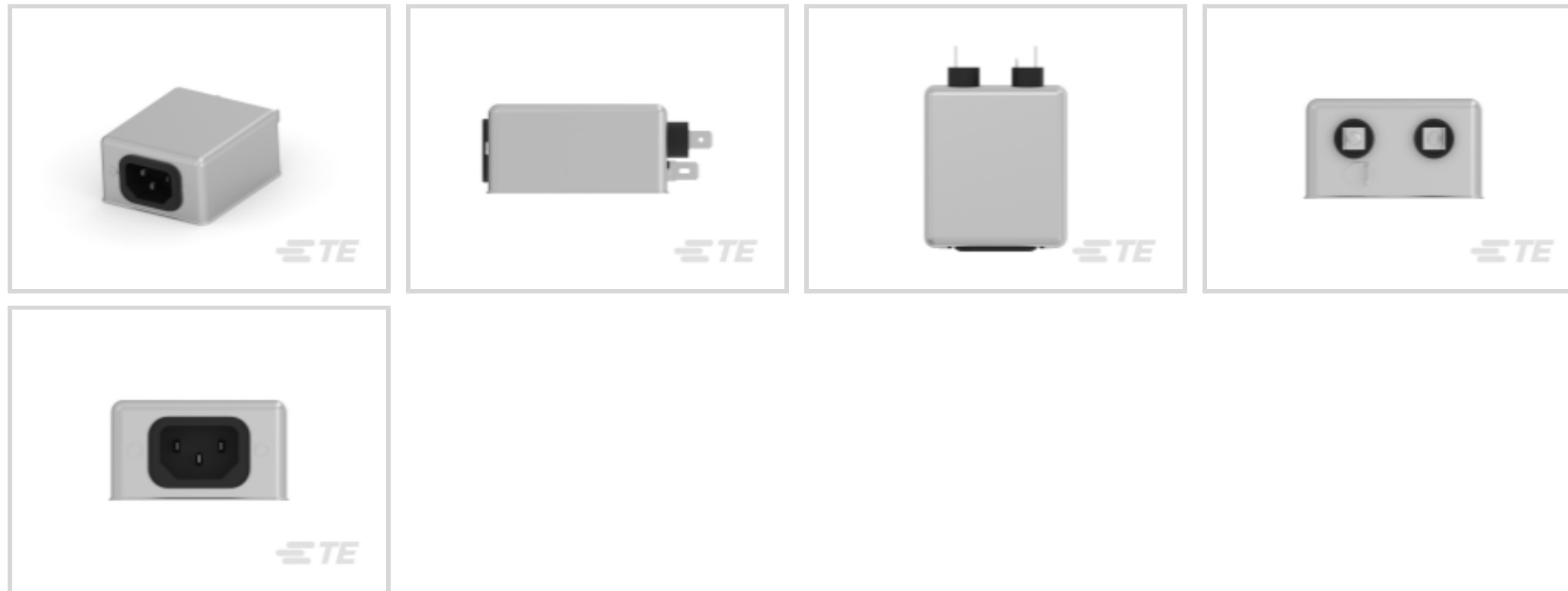
TE Internal #: 6609028-7

Single Phase Filters, 3A Current Rating, IEC Input, .250" FASTON Output, Corcom K

[View on TE.com >](#)



EMI & EMC Solutions > EMI Filters > Power Line Filters > Single Phase Filters > Single Phase Filters, Corcom K Series



Current Rating: 3 A

Input Termination Type: IEC

Output Termination Type: .250" FASTON

Leakage Current (Max) (120VAC, 60Hz): .4 mA

Leakage Current (Max) (250VAC, 50Hz): .7 mA

[All Single Phase Filters, Corcom K Series \(42\)](#)

## Features

### Product Type Features

Ground Choke Option	No
Filtering Requirements	Filtered
Input Termination Type	IEC
Output Termination Type	.250" FASTON

### Electrical Characteristics

Operating Voltage	250 VAC
Current Rating	3 A
Leakage Current (Max) (120VAC, 60Hz)	.4 mA
Leakage Current (Max) (250VAC, 50Hz)	.7 mA

### Mechanical Attachment

Product Mount Type	Panel
--------------------	-------

### Usage Conditions

Operating Temperature Range	-10 – 40 °C
-----------------------------	-------------

## Product Compliance

[For compliance documentation, visit the product page on TE.com>](#)

EU RoHS Directive 2011/65/EU	Compliant with Exemptions
EU ELV Directive 2000/53/EC	Compliant
China RoHS 2 Directive MIIT Order No 32, 2016	Restricted Materials Above Threshold
EU REACH Regulation (EC) No. 1907/2006	<p>Current ECHA Candidate List: JUNE 2023 (235)</p> <p>Candidate List Declared Against: JUNE 2023 (235)</p> <p>SVHC &gt; Threshold:</p> <p>Pb (3.2% in Component Part)</p> <p><b>Article Safe Usage Statements:</b> Do not eat, drink or smoke when using this product. Wash thoroughly after handling. Recycle if possible and dispose of the article by following all applicable governmental regulations relevant to your geographic location.</p>
Halogen Content	Not Low Halogen - contains Br or Cl > 900 ppm.
Solder Process Capability	Not applicable for solder process capability

### Product Compliance Disclaimer

This information is provided based on reasonable inquiry of our suppliers and represents our current actual knowledge based on the information they provided. This information is subject to change. The part numbers that TE has identified as EU RoHS compliant have a maximum concentration of 0.1% by weight in homogenous materials for lead, hexavalent chromium, mercury, PBB, PBDE, DBP, BBP, DEHP, DIBP, and 0.01% for cadmium, or qualify for an exemption to these limits as defined in the Annexes of Directive 2011/65/EU (RoHS2). Finished electrical and electronic equipment products will be CE marked as required by Directive 2011/65/EU. Components may not be CE marked. Additionally, the part numbers that TE has identified as EU ELV compliant have a maximum concentration of 0.1% by weight in homogenous materials for lead, hexavalent chromium, and mercury, and 0.01% for cadmium, or qualify for an exemption to these limits as defined in the Annexes of Directive 2000/53/EC (ELV). Regarding the REACH Regulation, the information TE provides on SVHC in articles for this part number is based on the latest European Chemicals Agency (ECHA) 'Guidance on requirements for substances in articles' posted at this URL: <https://echa.europa.eu/guidance-documents/guidance-on-reach>

## Compatible Parts

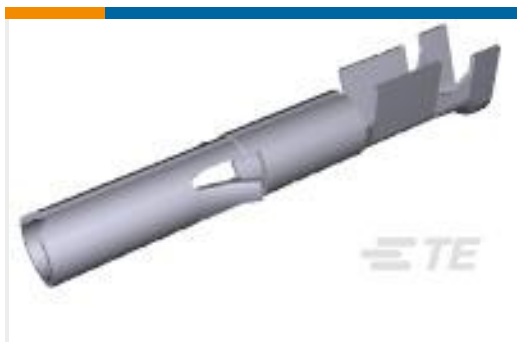
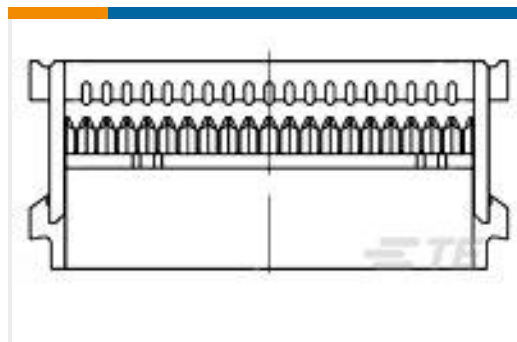
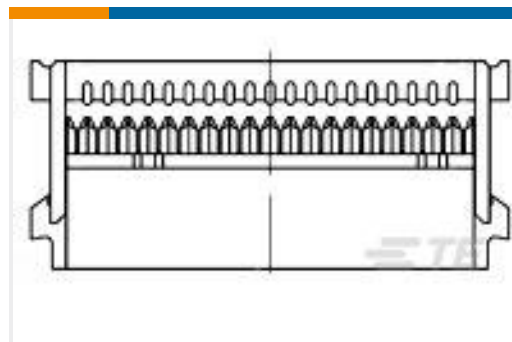
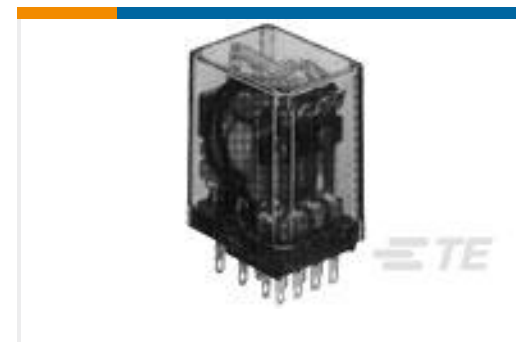


Also in the Series | [Corcom K](#)



Single Phase Filters(42)

## Customers Also Bought

TE Part #350689-1  
UMNL SOK 24-18 PTPBR L/PTE Part #1-1658526-3  
609-2041LF FEM SOCKET, LEAD FREETE Part #2-1658526-3  
609-5030LF FEM SOCKET, LEAD FREETE Part #4-1393123-1  
KHU-17D11-24=KH

## Documents

### Product Drawings

[3VK7=F7137 S0](#)

English

### CAD Files

Customer View Model

[ENG\\_CVM\\_CVM\\_6609028-7\\_B1.3d\\_stp.zip](#)

English

Customer View Model

[ENG\\_CVM\\_CVM\\_6609028-7\\_B1.2d\\_dxf.zip](#)

English

Customer View Model

[ENG\\_CVM\\_CVM\\_6609028-7\\_B1.3d\\_igs.zip](#)

English

[3D PDF](#)

3D

By downloading the CAD file I accept and agree to the [Terms and Conditions](#) of use.

### Datasheets & Catalog Pages

[1654001\\_CORCOM\\_PRODUCT\\_GUIDE](#)

English

[1654001\\_CORCOM\\_PRODUCT\\_GUIDE\\_K\\_SERIES](#)

English

[Corcom Combined Selector Charts](#)

English

3VK7

Single Phase Filters, 3A Current Rating, IEC Input, .250" FASTON Output, Corcom K



[1-1654250-1\\_CORCOM\\_EMI\\_RFI\\_QRG](#)

English