

3EBF1 ✓ ACTIVE

Corcom | [Corcom EBF](#)

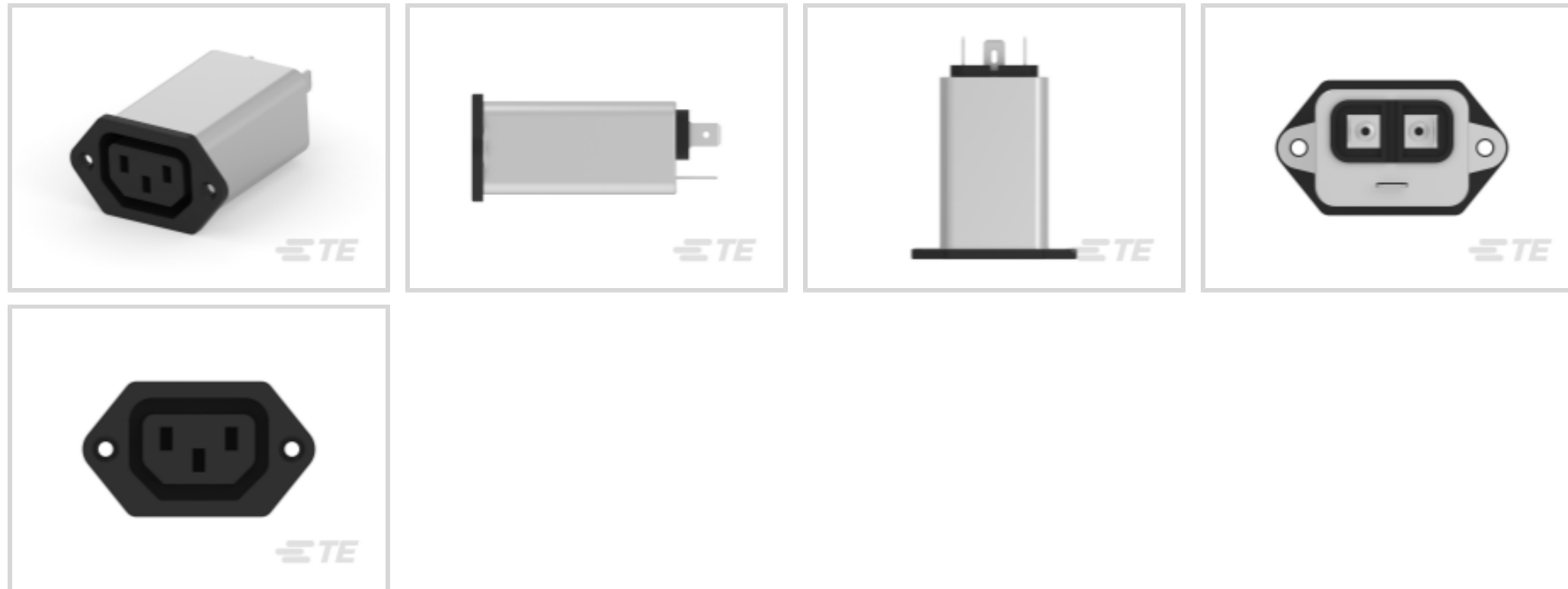
TE Internal #: 6609018-3

Multi-Function Inlet Filters, Power Line, Right Angle, 3A Current Rating, .250" FASTON Output, Operating Voltage 250 VAC, Filtered, Corcom EBF

[View on TE.com >](#)



EMI & EMC Solutions > EMI Filters > Multi-Function Inlet Filters > Corcom IEC-filtered Inlets, EBF-Series



Filter Type: **Power Line**

Product Orientation: **Right Angle**

Leakage Current (Max) (120VAC, 60Hz): **250 μ A**

Leakage Current (Max) (250VAC, 50Hz): **500 μ A**

Current Rating: **3 A**

[All Corcom IEC-filtered Inlets, EBF-Series \(8\)](#)

Features

Product Type Features

Ground Choke Option	No
Filter Type	Power Line
Output Termination Type	.250" FASTON
Filtering Requirements	Filtered
Filter Connector Type	IEC 60320-1 C-13

Electrical Characteristics

Leakage Current (Max) (120VAC, 60Hz)	250 μ A
Leakage Current (Max) (250VAC, 50Hz)	500 μ A
Current Rating	3 A
Operating Voltage	250 VAC

Body Features

Product Orientation	Right Angle
---------------------	-------------

Mechanical Attachment

Panel Mount Feature Type	Flanged
--------------------------	---------

Usage Conditions

Operating Temperature Range	-10 – 40 °C
-----------------------------	-------------

Product Compliance

[For compliance documentation, visit the product page on TE.com>](#)

EU RoHS Directive 2011/65/EU	Compliant
EU ELV Directive 2000/53/EC	Compliant
China RoHS 2 Directive MIIT Order No 32, 2016	No Restricted Materials Above Threshold
EU REACH Regulation (EC) No. 1907/2006	Current ECHA Candidate List: JUNE 2023 (235) Candidate List Declared Against: JUNE 2022 (224) Does not contain REACH SVHC
Halogen Content	Not Low Halogen - contains Br or Cl > 900 ppm.
Solder Process Capability	Not applicable for solder process capability

Product Compliance Disclaimer

This information is provided based on reasonable inquiry of our suppliers and represents our current actual knowledge based on the information they provided. This information is subject to change. The part numbers that TE has identified as EU RoHS compliant have a maximum concentration of 0.1% by weight in homogenous materials for lead, hexavalent chromium, mercury, PBB, PBDE, DBP, BBP, DEHP, DIBP, and 0.01% for cadmium, or qualify for an exemption to these limits as defined in the Annexes of Directive 2011/65/EU (RoHS2). Finished electrical and electronic equipment products will be CE marked as required by Directive 2011/65/EU. Components may not be CE marked. Additionally, the part numbers that TE has identified as EU ELV compliant have a maximum concentration of 0.1% by weight in homogenous materials for lead, hexavalent chromium, and mercury, and 0.01% for cadmium, or qualify for an exemption to these limits as defined in the Annexes of Directive 2000/53/EC (ELV). Regarding the REACH Regulation, the information TE provides on SVHC in articles for this part number is based on the latest European Chemicals Agency (ECHA) 'Guidance on requirements for substances in articles' posted at this URL: <https://echa.europa.eu/guidance-documents/guidance-on-reach>

Compatible Parts



Also in the Series | Corcom EBF



Multi-Function Inlet Filters(8)

Customers Also Bought



TE Part #6609018-7
Corcom IEC-filtered Inlets, EBF-Series



TE Part #1-6609016-6
10ED1=F7431 S0



TE Part #87499-7
04 MODIV HSG SR MRKD .100CL



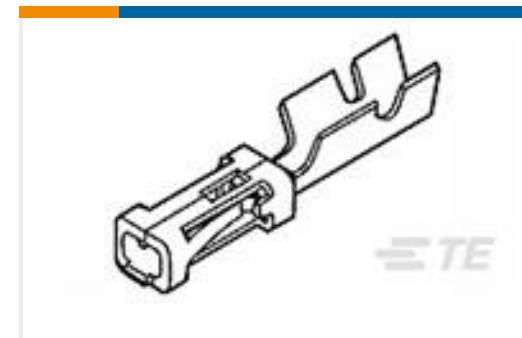
TE Part #102387-2
14 MODIV HSG COMP DR .100 POL



TE Part #1-480426-0
04P CMNL CAP HSG F/H NATL



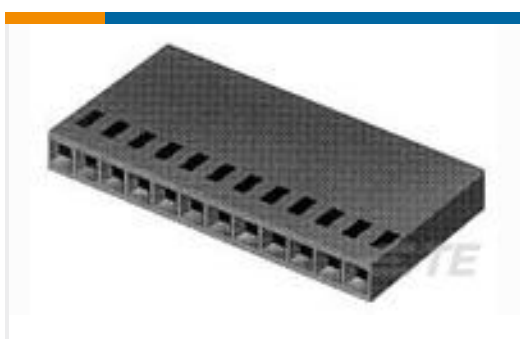
TE Part #1-329631-2
JAM NUT, PLATED



TE Part #87523-5
MOD IV RECP PLTD SN



TE Part #7-1437621-2
KD500B1/4=KNOB BLK DIAMOND
KNU



TE Part #87499-9
05 MODIV HSG SR MRKD .100CL

Documents

Product Drawings

[3EBF1=F7626 S0](#)

English

CAD Files

Customer View Model

[ENG_CVM_6609018-3_C.3d_igs.zip](#)



English

Customer View Model

[ENG_CVM_6609018-3_C.3d_stp.zip](#)

English

Customer View Model

[ENG_CVM_6609018-3_C.2d_dxf.zip](#)

English

3D PDF

English

Customer View Model

[ENG_CVM_CVM_6609018-3_K.3d_igs.zip](#)

English

Customer View Model

[ENG_CVM_CVM_6609018-3_K.3d_stp.zip](#)

English

Customer View Model

[ENG_CVM_CVM_6609018-3_K.2d_dxf.zip](#)

English

3D PDF

3D

By downloading the CAD file I accept and agree to the [Terms and Conditions](#) of use.

Datasheets & Catalog Pages

[1654001_CORCOM_PRODUCT_GUIDE](#)

English

[1654001_Corcom_Product_Guide_EBF_Series](#)

English

[Corcom Combined Selector Charts](#)

English