

66025-2 ✓ ACTIVE

FASTON

TE Internal #: 66025-2

Quick Disconnects, Tab, 12 – 10 AWG Wire Size, 2.62 – 6.64 mm²

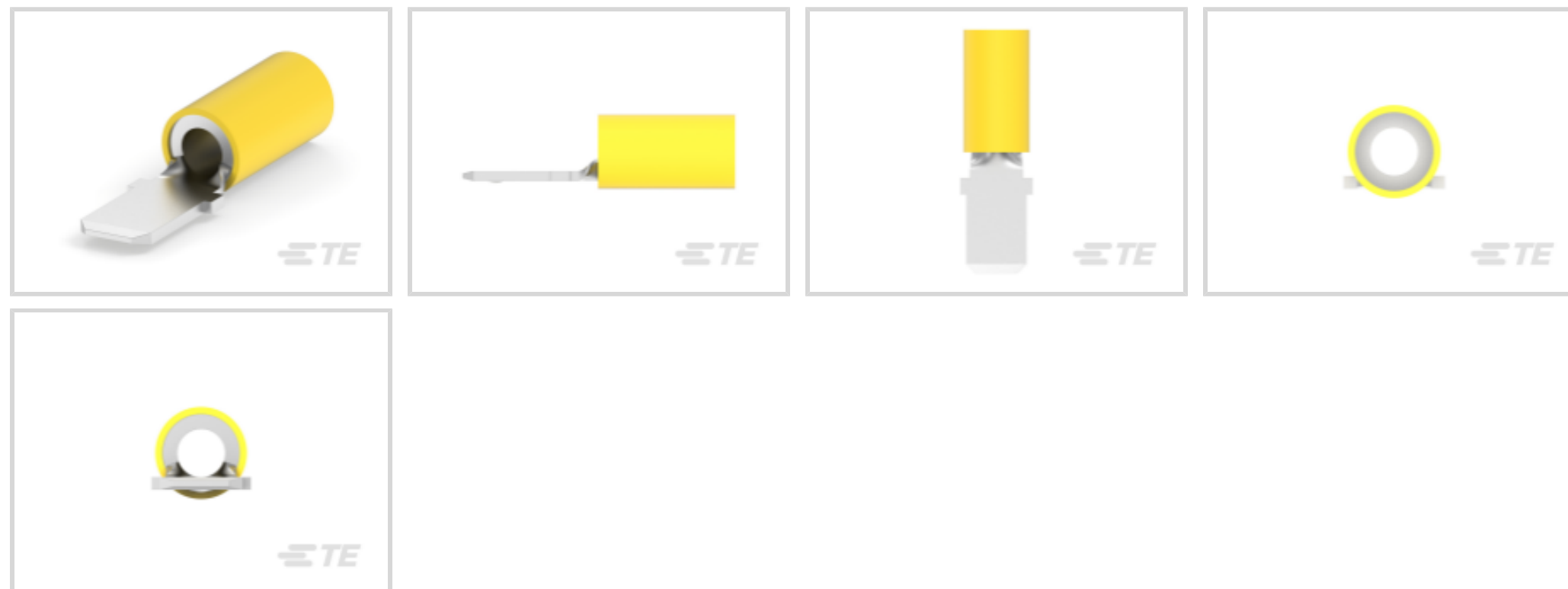
Wire Size, 5180 – 13100 CMA Wire Size, Mating Tab Width 6.35 mm

[.25 in], Straight

[View on TE.com >](#)



Terminals & Splices > Quick Disconnects



Quick Disconnect Terminal Type: **Tab**

Wire Size: **5180 – 13100 CMA**

Mating Tab Width: **6.35 mm [.25 in]**

Features

Configuration Features

Compatible With Wire & Cable Type

Discrete Wire

Contact Features

Quick Disconnect Terminal Type

Tab

Mating Tab Width

6.35 mm [.25 in]

Mating Tab Thickness

.81 mm [.032 in]

Terminal Orientation

Straight

Contact Base Material

Copper Alloy

Terminal Plating Material

Tin

Crimp Type

Compression

Barrel Type

Closed

Termination Features

Product Terminates To

Wire & Cable

Mechanical Attachment

Wire Insulation Support

Without

Dimensions



Product Length	27.94 mm[1.1 in]
Compatible Insulation Diameter Range	5.84 mm[.23 in]
Wire Size	5180 – 13100 CMA

Usage Conditions

Insulation Option	Partially Insulated
Operating Temperature Range	105 °C[221 °F]

Packaging Features

Packaging Quantity	500
Packaging Method	Box

Other

Barrel Color	Yellow
--------------	--------

Product Compliance

[For compliance documentation, visit the product page on TE.com>](#)

EU RoHS Directive 2011/65/EU	Compliant
EU ELV Directive 2000/53/EC	Compliant
China RoHS 2 Directive MIIT Order No 32, 2016	No Restricted Materials Above Threshold
EU REACH Regulation (EC) No. 1907/2006	Current ECHA Candidate List: JUNE 2023 (235) Candidate List Declared Against: JUNE 2023 (235) Does not contain REACH SVHC
Halogen Content	Not Low Halogen - contains Br or Cl > 900 ppm.
Solder Process Capability	Not applicable for solder process capability

Product Compliance Disclaimer

This information is provided based on reasonable inquiry of our suppliers and represents our current actual knowledge based on the information they provided. This information is subject to change. The part numbers that TE has identified as EU RoHS compliant have a maximum concentration of 0.1% by weight in homogenous materials for lead, hexavalent chromium, mercury, PBB, PBDE, DBP, BBP, DEHP, DIBP, and 0.01% for cadmium, or qualify for an exemption to these limits as defined in the Annexes of Directive 2011/65/EU (RoHS2). Finished electrical and electronic equipment products will be CE marked as required by Directive 2011/65/EU. Components may not be CE marked. Additionally, the part numbers that TE has identified as EU ELV compliant have a maximum concentration of 0.1% by weight in homogenous materials for lead, hexavalent chromium, and mercury, and 0.01% for cadmium, or qualify for an exemption to these limits as defined in the Annexes of Directive 2000/53/EC (ELV). Regarding the REACH Regulation, the information TE provides on SVHC in articles for this part number is based on the latest European Chemicals Agency (ECHA) 'Guidance on requirements for substances in articles' posted at this URL: <https://echa.europa.eu/guidance-documents/guidance-on-reach>

Compatible Parts



TE Part # 59824-1
TETRA-CRIMP PIDG PG FASTON 22-10 ASSY



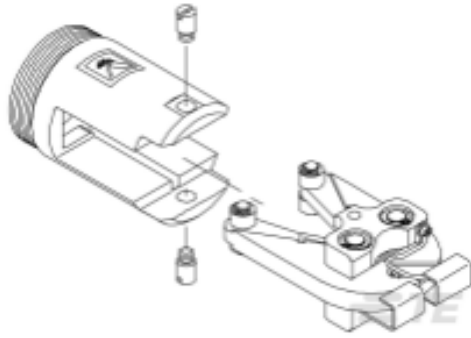
TE Part # 59239-4
HHHT PIDG PG 12-10 ASSY



TE Part # 58423-1
DIE, RBY IS9252



TE Part # 66025-6
TAB,PIDG TERMI-BK 12-10



TE Part # 679300-1
1210 PIDG CRIMP HEAD



TE Part # 58433-3
PRO CR ASSY, RBY IS9252



TE Part # 539691-2
ERGO DIE R.B.Y



TE Part # 2063030-1
SDE DIESET, RBY, UL



TE Part # 2217330-1
KIT, BTLI, 4 TON, NA



TE Part # 2217484-1
KIT, BTLI, HEAVY HEAD




TE Part # 2217484-2
KIT, BTLI, HEAVY HEAD



TE Part # 47808-6
DIES PIDG 12-10 DIE SET



TE Part # 169400
CERTI-LOK FRAME W/O DIES



TE Part # 1-59239-4
HHHT PIDG 16-10 HEAD



TE Part # 1SET191001R0000
CRIMP-HT

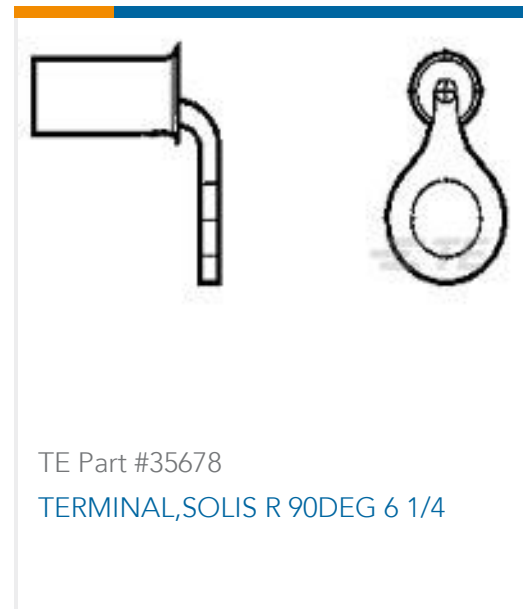
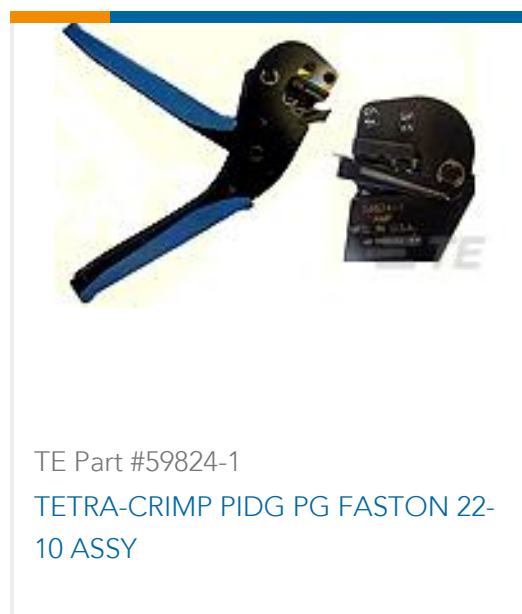


TE Part # 1SET191002R0000
TET CRIMP-HT



TE Part # 169404
CERTI-LOK DIE

Customers Also Bought



Documents

Product Drawings

[TAB,PIDG TERMI-BK 12-10](#)

English

CAD Files

[3D PDF](#)

3D

Customer View Model

[ENG_CVM_CVM_66025-2_R.2d_dxf.zip](#)

English

Customer View Model

[ENG_CVM_CVM_66025-2_R.3d_igs.zip](#)

English

Customer View Model

[ENG_CVM_CVM_66025-2_R.3d_stp.zip](#)

English

By downloading the CAD file I accept and agree to the [Terms and Conditions](#) of use.

Product Specifications

[Application Specification](#)

English