

66024-6 ✓ ACTIVE

## FASTON

TE Internal #: 66024-6

Quick Disconnects, Tab, 16 – 14 AWG Wire Size, 1.04 – 2.62 mm<sup>2</sup>

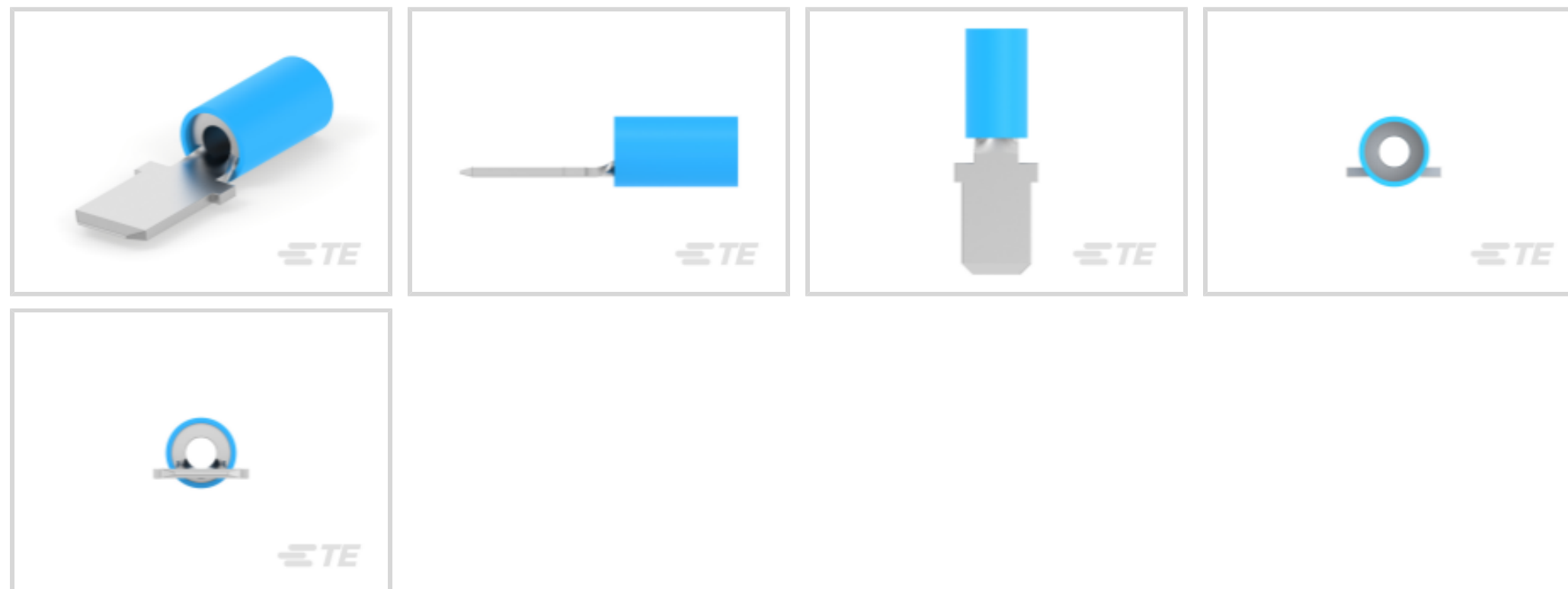
Wire Size, 2050 – 5180 CMA Wire Size, Mating Tab Width 6.35 mm [.

25 in], Straight

[View on TE.com >](#)



Terminals & Splices > Quick Disconnects



Quick Disconnect Terminal Type: **Tab**

Wire Size: **2050 – 5180 CMA**

Mating Tab Width: **6.35 mm [ .25 in ]**

### Features

#### Configuration Features

Compatible With Wire & Cable Type

Discrete Wire

#### Body Features

Insulation Material

PVC

#### Contact Features

Quick Disconnect Terminal Type

Tab

Mating Tab Width

6.35 mm[.25 in]

Mating Tab Thickness

.81 mm[.032 in]

Terminal Orientation

Straight

Contact Base Material

Copper Alloy

Terminal Plating Material

Tin

Crimp Type

Compression

Barrel Type

Closed

#### Termination Features

Product Terminates To

Wire & Cable

#### Mechanical Attachment



Wire Insulation Support	Without
-------------------------	---------

### Dimensions

Product Length	25.17 mm[.991 in]
Compatible Insulation Diameter Range	4.32 mm[.17 in]
Wire Size	2050 – 5180 CMA

### Usage Conditions

Insulation Option	Partially Insulated
Operating Temperature Range	105 °C[221 °F]

### Packaging Features

Packaging Quantity	100
Packaging Method	Box

### Other

Barrel Color	Blue
--------------	------

## Product Compliance

[For compliance documentation, visit the product page on TE.com>](#)

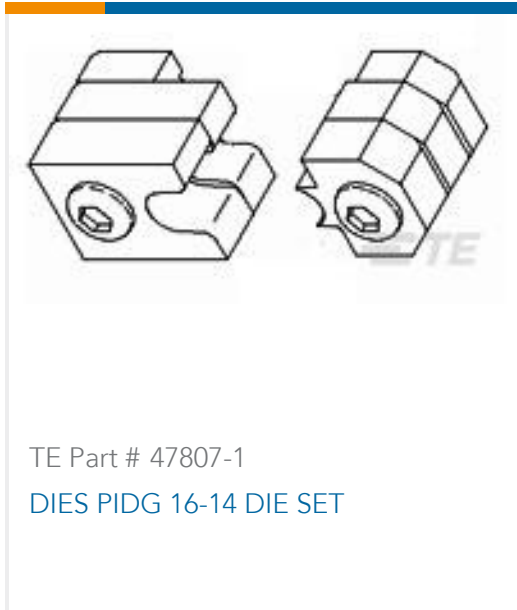
EU RoHS Directive 2011/65/EU	Compliant
EU ELV Directive 2000/53/EC	Compliant
China RoHS 2 Directive MIIT Order No 32, 2016	No Restricted Materials Above Threshold
EU REACH Regulation (EC) No. 1907/2006	Current ECHA Candidate List: JUNE 2023 (235) Candidate List Declared Against: JUNE 2023 (235) Does not contain REACH SVHC
Halogen Content	Not Low Halogen - contains Br or Cl > 900 ppm.
Solder Process Capability	Not applicable for solder process capability

#### Product Compliance Disclaimer

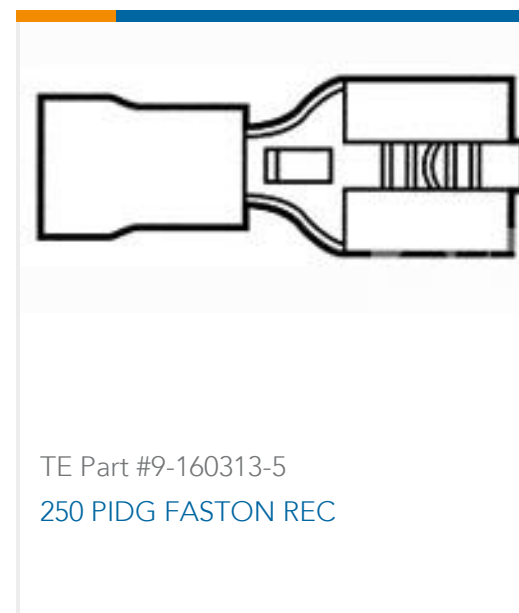
This information is provided based on reasonable inquiry of our suppliers and represents our current actual knowledge based on the information they provided. This information is subject to change. The part numbers that TE has identified as EU RoHS compliant have a maximum concentration of 0.1% by weight in homogenous materials for lead, hexavalent chromium, mercury, PBB, PBDE, DBP, BBP, DEHP, DIBP, and 0.01% for cadmium, or qualify for an exemption to these limits as defined in the Annexes of Directive 2011/65/EU (RoHS2). Finished electrical and electronic equipment products will be CE marked as required by Directive 2011/65/EU. Components may not be CE marked. Additionally, the part numbers that TE has identified as EU ELV compliant have a maximum concentration of 0.1% by weight in homogenous materials for lead, hexavalent chromium, and mercury, and 0.01% for cadmium, or qualify for an exemption to these limits as defined in the Annexes of Directive 2000/53/EC (ELV). Regarding the REACH Regulation, the information TE provides

on SVHC in articles for this part number is based on the latest European Chemicals Agency (ECHA) 'Guidance on requirements for substances in articles' posted at this URL: <https://echa.europa.eu/guidance-documents/guidance-on-reach>

## Compatible Parts



## Customers Also Bought



## Documents

### Product Drawings

TAB,PIDG TERMI-BK 16-14

English



### CAD Files

#### 3D PDF

3D

#### Customer View Model

[ENG\\_CVM\\_CVM\\_66024-6\\_S.2d\\_dxf.zip](#)

English

#### Customer View Model

[ENG\\_CVM\\_CVM\\_66024-6\\_S.3d\\_igs.zip](#)

English

#### Customer View Model

[ENG\\_CVM\\_CVM\\_66024-6\\_S.3d\\_stp.zip](#)

English

By downloading the CAD file I accept and agree to the [Terms and Conditions](#) of use.

### Product Specifications

#### Application Specification

English

### Product Environmental Compliance

#### Product Compliance

English

#### Product Compliance

English