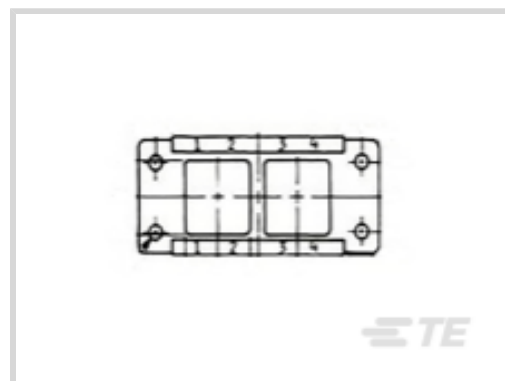




Connectors > Terminal Junction Modules & Accessories > Terminal Junction Modules



Terminal Junction System Component Type: **H Rail for Relay**

Operating Temperature Range: **-65 – 200 °C**

### Features

#### Product Type Features

Terminal Junction System Component Type	H Rail for Relay
---	------------------

#### Usage Conditions

Operating Temperature Range	-65 – 200 °C
-----------------------------	--------------

### Product Compliance

[For compliance documentation, visit the product page on TE.com>](#)

EU RoHS Directive 2011/65/EU	Compliant
EU ELV Directive 2000/53/EC	Compliant
China RoHS 2 Directive MIIT Order No 32, 2016	No Restricted Materials Above Threshold
EU REACH Regulation (EC) No. 1907/2006	Current ECHA Candidate List: JUNE 2023 (235) Candidate List Declared Against: JAN 2021 (211) Does not contain REACH SVHC
Halogen Content	Not Yet Reviewed for halogen content
Solder Process Capability	Not reviewed for solder process capability

#### Product Compliance Disclaimer

This information is provided based on reasonable inquiry of our suppliers and represents our current actual knowledge based on the information they provided. This information is subject to change. The part numbers that TE has identified as EU RoHS compliant have a maximum concentration of 0.1% by weight in homogenous materials for lead, hexavalent chromium, mercury, PBB, PBDE, DBP, BBP, DEHP, DIBP, and 0.01% for cadmium, or qualify for an exemption to these limits as defined in the Annexes of Directive 2011/65/EU (RoHS2). Finished electrical and electronic equipment products will be CE marked as required by Directive 2011/65/EU. Components may not be CE marked. Additionally, the part numbers that TE has identified as EU ELV compliant have a maximum concentration of 0.1% by weight in homogenous materials for lead, hexavalent chromium, and mercury, and 0.01% for cadmium, or qualify for an exemption to these limits as defined in the Annexes of Directive 2000/53/EC (ELV). Regarding the REACH Regulation, the information TE provides on SVHC in articles for this part number is based on the latest European Chemicals Agency (ECHA) 'Guidance on

requirements for substances in articles' posted at this URL: <https://echa.europa.eu/guidance-documents/guidance-on-reach>

## Customers Also Bought



TE Part #4554650001  
TMS-SCE-1K-1/8-2.0-9



TE Part #2-34318-1  
SPLICE,SOLIS PARA HR 8



TE Part #ABC03N-22P-4048  
IN-LINE RECP



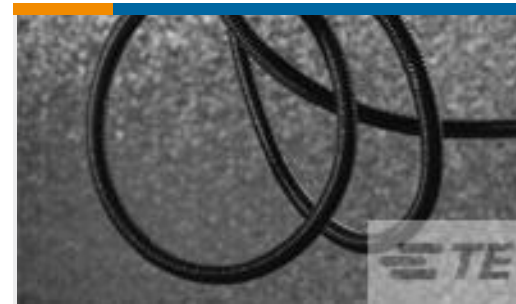
TE Part #8-1617760-6  
FCB-405-0625M=M83536/6-025M



TE Part #ABC06N-20P-4048  
IN-LINE PLUG



TE Part #5260030007  
TC-CAPS-4005-8



TE Part #0999094004  
HCTE-0375-0-SP



TE Part #YCTJ-3A-03C0160000  
RAIL ASSY



TE Part #ESC30P20BC  
CONTACT PIN #20 CU/ALLOY



TE Part #2291687-1  
TERM,RING TONGUE,SEALED COP,1 /0 CU

## Documents

### Product Drawings

#### RAIL ASSY

English

### CAD Files

#### 3D PDF

3D

#### Customer View Model

[ENG\\_CVM\\_CVM\\_65008-D04\\_99.2d\\_dxf.zip](#)

English

#### Customer View Model

[ENG\\_CVM\\_CVM\\_65008-D04\\_99.3d\\_igs.zip](#)

English

#### Customer View Model



[ENG\\_CVM\\_CVM\\_65008-D04\\_99.3d\\_stp.zip](#)

English

By downloading the CAD file I accept and agree to the [Terms and Conditions](#) of use.

[Datasheets & Catalog Pages](#)

[Products for Aerospace and Defense](#)

English