

647892-4 ✓ ACTIVE

AMP Power Series - 50

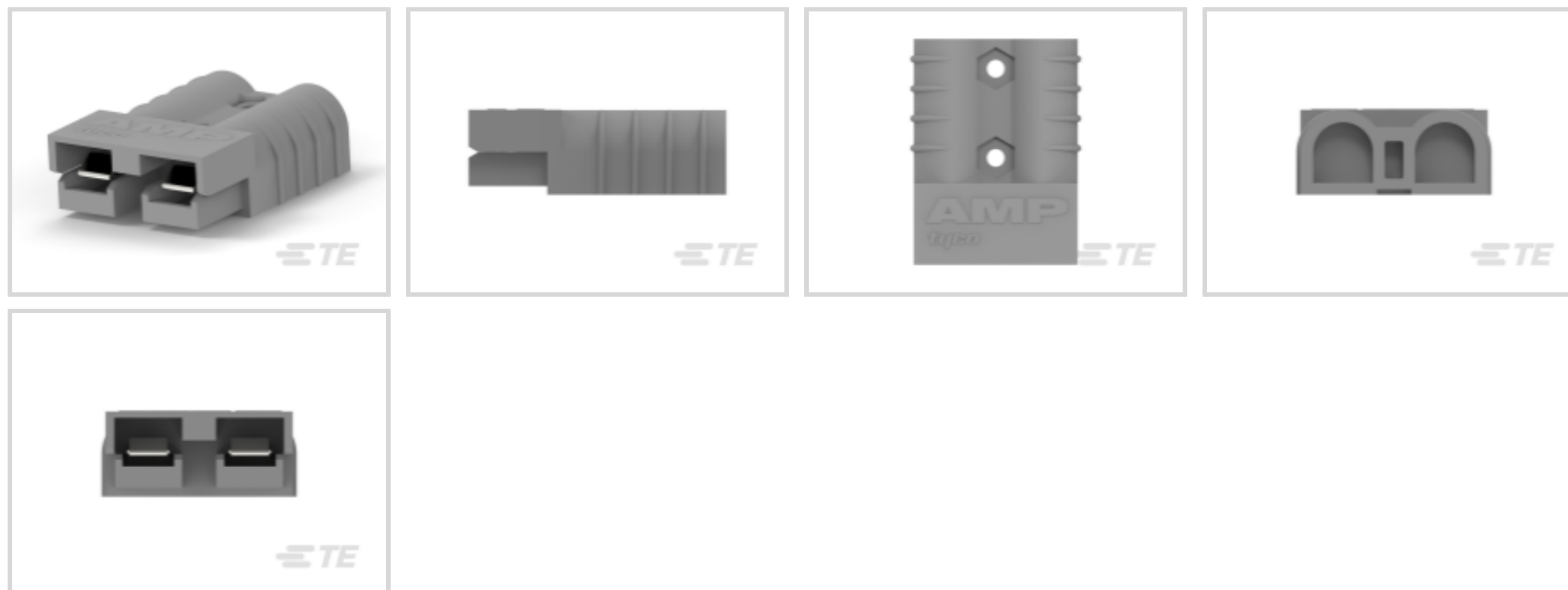
TE Internal #: 647892-4

Rectangular Power Connectors, Connector Assembly, Receptacle, Wire-to-Wire, 2 Position, 19.06 mm [.75 in] Centerline, AMP Power Series - 50

[View on TE.com >](#)



Connectors > Power Connectors > Rectangular Power > Rectangular Power Connectors



Rectangular Power Connector Type: **Connector Assembly**

Connector & Housing Type: **Receptacle**

Connector System: **Wire-to-Wire**

Number of Positions: **2**

Centerline (Pitch): **19.06 mm [.75 in]**

Features

Product Type Features

Assembly Requirement	Unassembled Kit
Compatible With Discrete Wire Type	Stranded
Rectangular Power Connector Type	Connector Assembly
Connector & Housing Type	Receptacle
Connector System	Wire-to-Wire
Sealable	No
Connector & Contact Terminates To	Wire & Cable

Configuration Features

Number of Positions	2
Number of Power Positions	0
Number of Signal Positions	0
Number of Rows	1

Electrical Characteristics

Operating Voltage	600 VDC
-------------------	---------



Contact Features

Contact Mating Area Plating Material	Silver
Contact Current Rating (Max)	50 A
Contact Retention Within Housing	Without
Contact Type	Tab
Wire Contact Termination Area Plating Material	Silver
Contact Mating Area Plating Material Thickness	1.27 µm[50 µin]

Termination Features

Termination Method to Wire & Cable	Crimp
------------------------------------	-------

Mechanical Attachment

Mating Alignment Type	Keyed
Mating Retention	Without
Mating Alignment	With
Panel Mount Feature	Without
Connector Mounting Type	Cable Mount (Free-Hanging)

Housing Features

Centerline (Pitch)	19.06 mm [.75 in]
Housing Color	Gray
Housing Material	Polycarbonate

Dimensions

Connector Height	15.88 mm [.625 in]
Product Width	35.05 mm [1.38 in]
Product Length	48.23 mm [1.9 in]
Wire Size	25656 – 27629 CMA

Usage Conditions

Operating Temperature Range	-20 – 105 °C [-4 – 221 °F]
-----------------------------	----------------------------

Operation/Application

Circuit Application	Power
---------------------	-------

Industry Standards

UL Rating	Recognized
Agency/Standard	UL
Approved Standards	UL E28476

UL Flammability Rating	UL 94V-0
------------------------	----------

Glow Wire Rating	Standard Part - Not Glow Wire
------------------	-------------------------------

Packaging Features

Packaging Quantity	1
--------------------	---

Packaging Method	Bag
------------------	-----

Product Compliance

[For compliance documentation, visit the product page on TE.com>](#)

EU RoHS Directive 2011/65/EU	Compliant
------------------------------	-----------

EU ELV Directive 2000/53/EC	Compliant
-----------------------------	-----------

China RoHS 2 Directive MIIT Order No 32, 2016	No Restricted Materials Above Threshold
---	---

EU REACH Regulation (EC) No. 1907/2006	Current ECHA Candidate List: JUNE 2023 (235) Candidate List Declared Against: JAN 2022 (223) Does not contain REACH SVHC
--	--

Halogen Content	Not Yet Reviewed for halogen content
-----------------	--------------------------------------

Solder Process Capability	Not applicable for solder process capability
---------------------------	--

Product Compliance Disclaimer

This information is provided based on reasonable inquiry of our suppliers and represents our current actual knowledge based on the information they provided. This information is subject to change. The part numbers that TE has identified as EU RoHS compliant have a maximum concentration of 0.1% by weight in homogenous materials for lead, hexavalent chromium, mercury, PBB, PBDE, DBP, BBP, DEHP, DIBP, and 0.01% for cadmium, or qualify for an exemption to these limits as defined in the Annexes of Directive 2011/65/EU (RoHS2). Finished electrical and electronic equipment products will be CE marked as required by Directive 2011/65/EU. Components may not be CE marked. Additionally, the part numbers that TE has identified as EU ELV compliant have a maximum concentration of 0.1% by weight in homogenous materials for lead, hexavalent chromium, and mercury, and 0.01% for cadmium, or qualify for an exemption to these limits as defined in the Annexes of Directive 2000/53/EC (ELV). Regarding the REACH Regulation, the information TE provides on SVHC in articles for this part number is based on the latest European Chemicals Agency (ECHA) 'Guidance on requirements for substances in articles' posted at this URL: <https://echa.europa.eu/guidance-documents/guidance-on-reach>

Compatible Parts



Also in the Series | AMP Power Series - 50



Rectangular Connector Adapters(2)

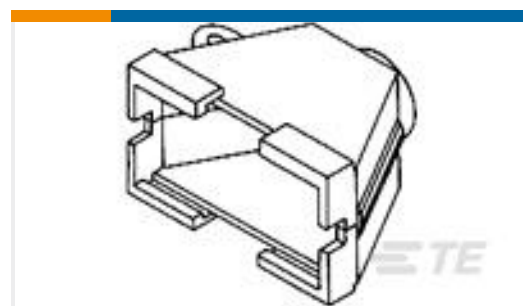


Rectangular Power Connectors(13)

Customers Also Bought



TE Part #211401-4
RECEPT,SZ 13-7,CPC



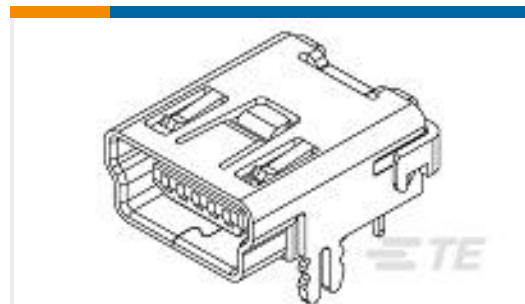
TE Part #350373-1
06P STR/REL HSG HNGD



TE Part #3-1393250-3
W28-XQ1A-20=W28



TE Part #1-794617-8
18POS,MICRO MNL,RCPT HSG



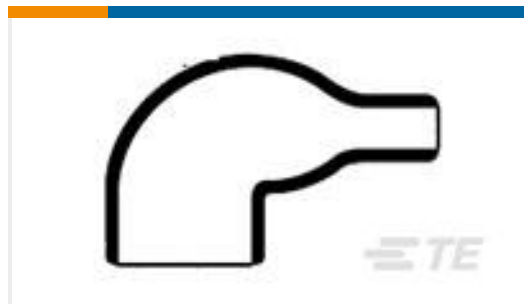
TE Part #2172034-1
MINI USB B, RCPT, R/A, T/H, PBT, Tray



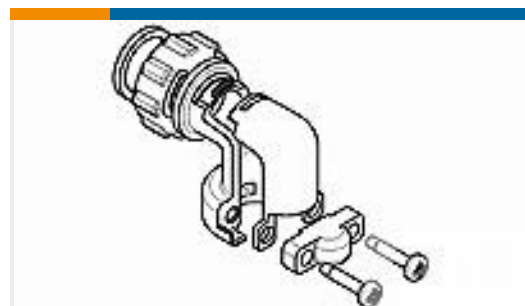
TE Part #9-146280-0
40 MODII HDR SRST B/A .100CL



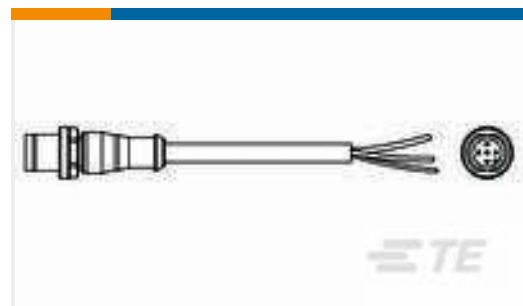
TE Part #1445716-1
KIT 6AWG BLUE



TE Part #178086-000
222A111-25/86-0



TE Part #1546349-2
R/A CABLE CLAMP KIT,SZ 17,CPC



TE Part #2273034-3
M12 x 1.0 straight plug pigt A

Documents

Product Drawings

SRS 50 CONN KIT,GRAY,6 AWG

English

CAD Files

3D PDF

3D



Customer View Model

[ENG_CVM_CVM_647892-4_A.2d_dxf.zip](#)

English

Customer View Model

[ENG_CVM_CVM_647892-4_A.3d_igs.zip](#)

English

Customer View Model

[ENG_CVM_CVM_647892-4_A.3d_stp.zip](#)

English

By downloading the CAD file I accept and agree to the [Terms and Conditions](#) of use.

Datasheets & Catalog Pages

[POWER_CONNECTORS_CATALOG_SEC02_CABLE_MOUNTED](#)

English

[2_PIECE_POWER_CONNECTORS_qrg_4-1773458-1](#)

English

Product Specifications

[Application Specification](#)

English

Instruction Sheets

[Instruction Sheet \(U.S.\)](#)

English