



SL-156

TE Internal #: 647485-2

Connector Contact, Socket, Wire-to-Wire / Wire-to-Board, 16 AWG

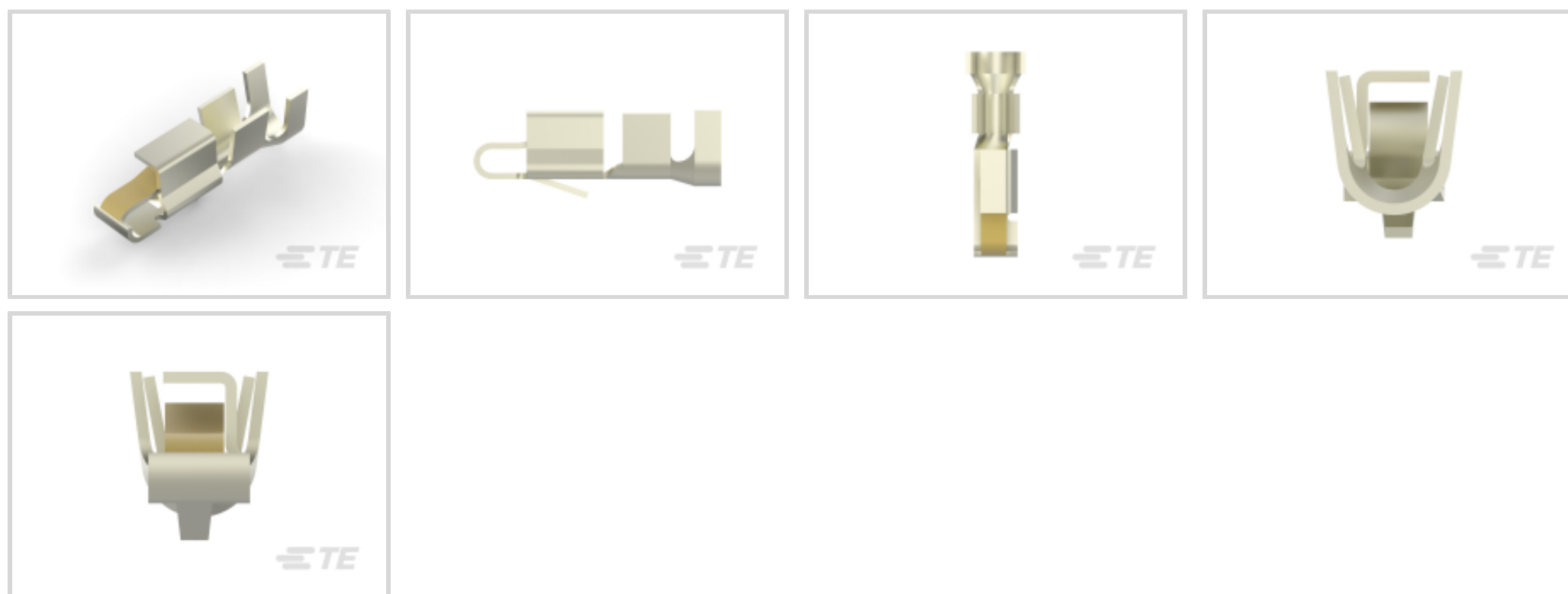
Wire Size, 2550 – 2800 CMA Wire Size, 1.29 – 1.42 mm² Wire Size,

Gold, SL-156

[View on TE.com >](#)

Connectors > PCB Connectors > Wire-to-Board Connectors > Wire-to-Board Connector Contacts >

Wire-to-Board Connector Contacts: socket, wire size 30-16 AWG, SL 156



Contact Type: **Socket**

Connector System: **Wire-to-Board, Wire-to-Wire**

Wire Size: **1.29 – 1.42 mm²**

[All Wire-to-Board Connector Contacts: socket, wire size 30-16 AWG, SL 156 \(23\)](#)

Features

Product Type Features

Connector System	Wire-to-Board, Wire-to-Wire
Connector & Contact Terminates To	Wire & Cable

Configuration Features

Compatible With Wire & Cable Type	Discrete Wire
-----------------------------------	---------------

Electrical Characteristics

Operating Voltage	250 VAC
-------------------	---------

Contact Features

Mating Square Post Dimension	1.14 mm[.045 in]
Contact Retention Within Housing	With
Contact Underplating Material Thickness	1.27 μm[50 μin]
Wire Contact Termination Area Plating Thickness	.76 μm
Wire Contact Termination Area Plating Material	Gold
Contact Mating Area Plating Material Thickness	.76 μm[29.92 μin]



Contact Underplating Material	Nickel
Contact Base Material	Phosphor Bronze
Contact Type	Socket
Contact Mating Area Plating Material	Gold
Contact Current Rating (Max)	10 A

Termination Features

Termination Method to Wire & Cable	Crimp
------------------------------------	-------

Mechanical Attachment

Contact Retention Type Within Housing	Locking Lance
Connector Mounting Type	Cable Mount (Free-Hanging)

Dimensions

Compatible Insulation Diameter Range	1.78 – 2.84 mm [.07 – .112 in]
Wire Size	1.29 – 1.42 mm ²

Usage Conditions

Operating Temperature Range	-55 – 105 °C [-67 – 221 °F]
-----------------------------	-----------------------------

Operation/Application

Circuit Application	Power
---------------------	-------

Packaging Features

Packaging Quantity	1000
Packaging Method	Bag & Box

Product Compliance

[For compliance documentation, visit the product page on TE.com>](#)

EU RoHS Directive 2011/65/EU	Compliant
EU ELV Directive 2000/53/EC	Compliant
China RoHS 2 Directive MIIT Order No 32, 2016	No Restricted Materials Above Threshold
EU REACH Regulation (EC) No. 1907/2006	Current ECHA Candidate List: JUNE 2023 (235) Candidate List Declared Against: JUNE 2023 (235) Does not contain REACH SVHC
Halogen Content	Low Halogen - Br, Cl, F, I < 900 ppm per homogenous material. Also BFR/CFR/PVC Free

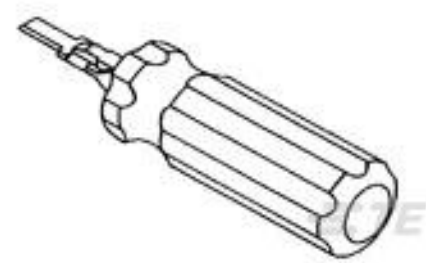
Solder Process Capability

Not applicable for solder process capability

Product Compliance Disclaimer

This information is provided based on reasonable inquiry of our suppliers and represents our current actual knowledge based on the information they provided. This information is subject to change. The part numbers that TE has identified as EU RoHS compliant have a maximum concentration of 0.1% by weight in homogenous materials for lead, hexavalent chromium, mercury, PBB, PBDE, DBP, BBP, DEHP, DIBP, and 0.01% for cadmium, or qualify for an exemption to these limits as defined in the Annexes of Directive 2011/65/EU (RoHS2). Finished electrical and electronic equipment products will be CE marked as required by Directive 2011/65/EU. Components may not be CE marked. Additionally, the part numbers that TE has identified as EU ELV compliant have a maximum concentration of 0.1% by weight in homogenous materials for lead, hexavalent chromium, and mercury, and 0.01% for cadmium, or qualify for an exemption to these limits as defined in the Annexes of Directive 2000/53/EC (ELV). Regarding the REACH Regulation, the information TE provides on SVHC in articles for this part number is based on the latest European Chemicals Agency (ECHA) 'Guidance on requirements for substances in articles' posted at this URL: <https://echa.europa.eu/guidance-documents/guidance-on-reach>

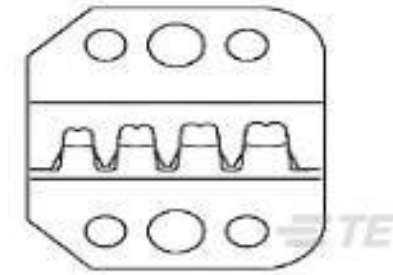
Compatible Parts



TE Part # 90471-1
EXTRACTION TOOL, SC-156




TE Part # 91369-1
PRO-C TL & DIE SL156 16




TE Part # 91369-2
PRO-C DIE SL156 16

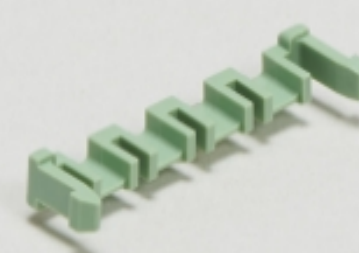
Also in the Series | SL-156




Insertion & Extraction Tools(1)




PCB Connector Keying(2)




PCB Latches, Locks & Retainers(1)




Rectangular Connector Housings(11)



Rectangular Connector Keying Plugs(1)



Wire-to-Board Connector Assemblies & Housings(140)



Wire-to-Board Connector Contacts(23)

Customers Also Bought



TE Part #647401-5
Receptacle Housing: Wire-to-Board,
with Mating Alignment, SL156



TE Part #350824-4
02P UMNL HDR ASSY PC LF



TE Part #3-520140-4
ULTRA-FAST 250 ASY REC 16-14 AWG
TPBR



TE Part #102694-3
10 AMPMODU MT ASSY DR .100CL



TE Part #5221221-5
JACK BLKHD 75OHM BNC



TE Part #9-2176380-7
RQ 0805 11K5 0.1% 10PPM 5K RL



TE Part #350980-3
.045 POST CONTACT AUPLBR



TE Part #350827-4
06P UMNL HDR ASSY PC 94VO LF



TE Part #1419106-2
27E007=SOCKET,KH,14,PC,PHEN,BL

Documents

Product Drawings

[SL156 RECEPT,AUNI/PHBZ,L/P,LRG](#)

English

CAD Files

[3D PDF](#)

English

Customer View Model

[ENG_CVM_647485-2_A.3d_igs.zip](#)

English

Customer View Model

[ENG_CVM_647485-2_A.3d_stp.zip](#)

English

Customer View Model

[ENG_CVM_647485-2_A.2d_dxf.zip](#)

English

[3D PDF](#)

3D



Customer View Model

[ENG_CVM_CVM_647485-2_A.2d_dxf.zip](#)

English

Customer View Model

[ENG_CVM_CVM_647485-2_A.3d_igs.zip](#)

English

Customer View Model

[ENG_CVM_CVM_647485-2_A.3d_stp.zip](#)

English

By downloading the CAD file I accept and agree to the [Terms and Conditions](#) of use.

Product Specifications

[Application Specification](#)

English

Product Environmental Compliance

[TE Material Declaration](#)

English