

646484-5 ✓ ACTIVE

Z-PACK | Z-PACK 2mm HM

TE Internal #: 646484-5

PCB Mount Shroud, Gray, Glass Filled Polyester, 150 Position, Z-PACK 2mm HM

[View on TE.com >](#)



Connectors > Connector Accessories > Connector Caps & Covers



Connector Cover Type: **PCB Mount Shroud**

Primary Product Color: **Gray**

Primary Product Material: **Glass Filled Polyester**

Number of Positions: **150**

Operating Temperature (Max): **125 °C [ 257 °F ]**

## Features

### Product Type Features

Connector Cover Type	PCB Mount Shroud
----------------------	------------------

### Configuration Features

Number of Rows	5
Number of Positions	150

### Body Features

Primary Product Color	Gray
Primary Product Material	Glass Filled Polyester

### Mechanical Attachment

Mating Alignment Type	Polarization
Mating Alignment	With

### Housing Features

Centerline (Pitch)	2 mm[.079 in]
--------------------	---------------

### Dimensions

Product Width	15.4 mm[.055 in]
---------------	------------------



Product Length	43.9 mm[1.728 in]
----------------	-------------------

Product Height	14.9 mm[.586 in]
----------------	------------------

Row-to-Row Spacing	2 mm[.079 in]
--------------------	---------------

### Usage Conditions

Operating Temperature (Max)	125 °C[257 °F]
-----------------------------	----------------

Operating Temperature Range	-55 – 125 °C[-67 – 257 °F]
-----------------------------	----------------------------

### Operation/Application

Assembly Process Feature	Board Standoff
--------------------------	----------------

### Industry Standards

UL Flammability Rating	UL 94V-0
------------------------	----------

### Packaging Features

Packaging Method	Tray
------------------	------

## Product Compliance

[For compliance documentation, visit the product page on TE.com>](#)

EU RoHS Directive 2011/65/EU	Compliant
------------------------------	-----------

EU ELV Directive 2000/53/EC	Compliant
-----------------------------	-----------

China RoHS 2 Directive MIIT Order No 32, 2016	No Restricted Materials Above Threshold
---	---

EU REACH Regulation (EC) No. 1907/2006	Current ECHA Candidate List: JUNE 2023 (235) Candidate List Declared Against: JUNE 2023 (235) Does not contain REACH SVHC
--	---

Halogen Content	Not Low Halogen - contains Br or Cl > 900 ppm.
-----------------	--

Solder Process Capability	Not applicable for solder process capability
---------------------------	--

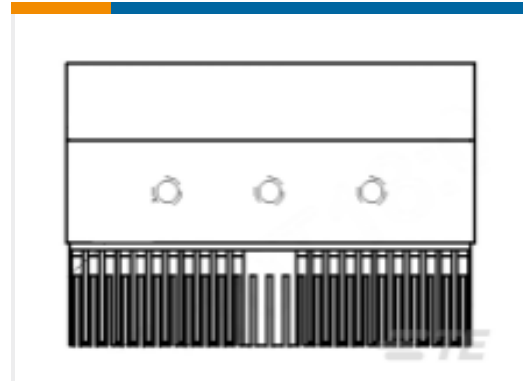
#### Product Compliance Disclaimer

This information is provided based on reasonable inquiry of our suppliers and represents our current actual knowledge based on the information they provided. This information is subject to change. The part numbers that TE has identified as EU RoHS compliant have a maximum concentration of 0.1% by weight in homogenous materials for lead, hexavalent chromium, mercury, PBB, PBDE, DBP, BBP, DEHP, DIBP, and 0.01% for cadmium, or qualify for an exemption to these limits as defined in the Annexes of Directive 2011/65/EU (RoHS2). Finished electrical and electronic equipment products will be CE marked as required by Directive 2011/65/EU. Components may not be CE marked. Additionally, the part numbers that TE has identified as EU ELV compliant have a maximum concentration of 0.1% by weight in homogenous materials for lead, hexavalent chromium, and mercury, and 0.01% for cadmium, or qualify for an exemption to these limits as defined in the Annexes of Directive 2000/53/EC (ELV). Regarding the REACH Regulation, the information TE provides on SVHC in articles for this part number is based on the latest European Chemicals Agency (ECHA) 'Guidance on requirements for substances in articles' posted at this URL: <https://echa.europa.eu/guidance-documents/guidance-on-reach>

## Compatible Parts



TE Part # 646573-1  
Z-PACK A/B REC ASY 110P 2MMHM

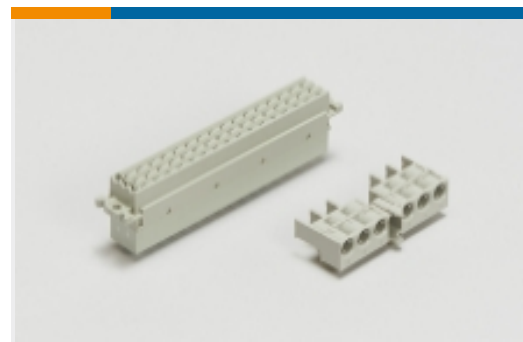


TE Part # 91346-2  
2MM HM SEATING TOOL TYPE AB 22


## Also in the Series | Z-PACK 2mm HM



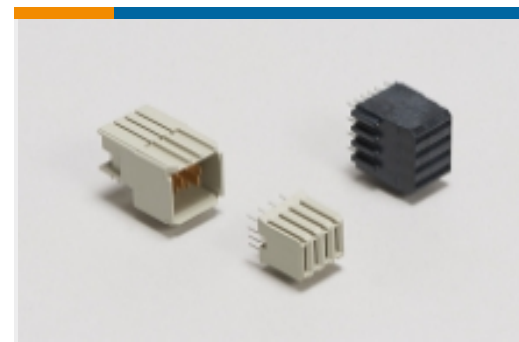
Backplane Coding Keys(60)




Backplane Connector Housings(4)




Backplane Guide Hardware(37)



Backplane Power Connectors(6)




Board-to-Board Connector Contacts(2)




Connector Caps & Covers(62)




Hard Metric Backplane Connectors (269)



High Speed Backplane Connectors(1)

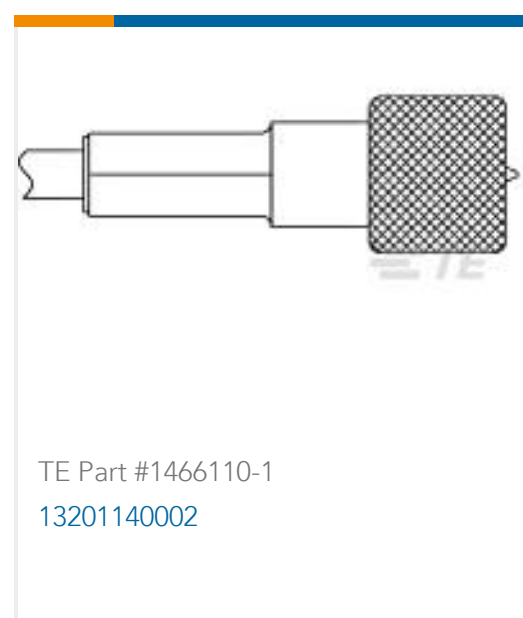
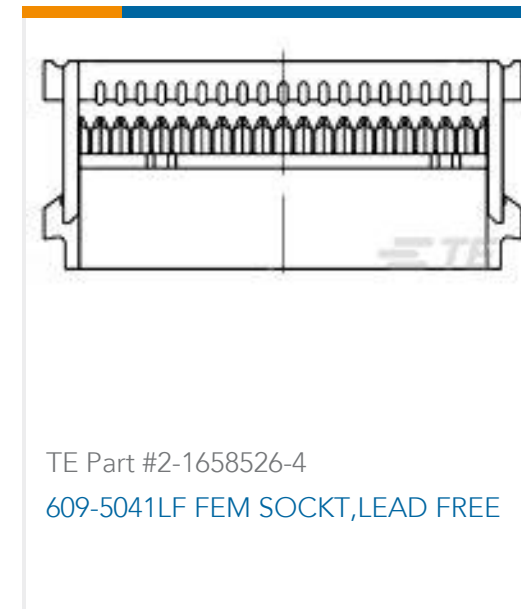
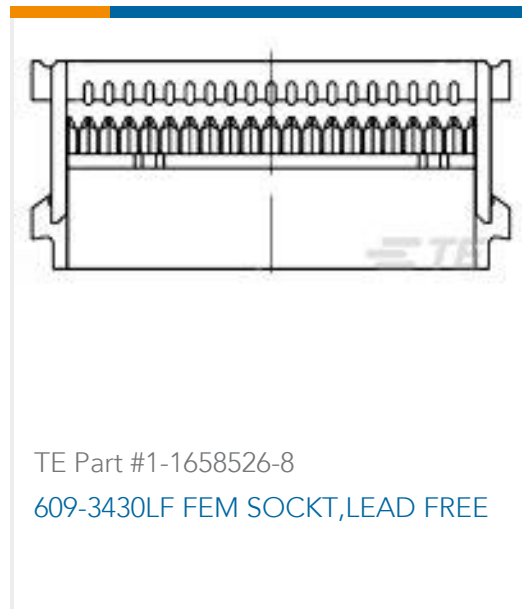
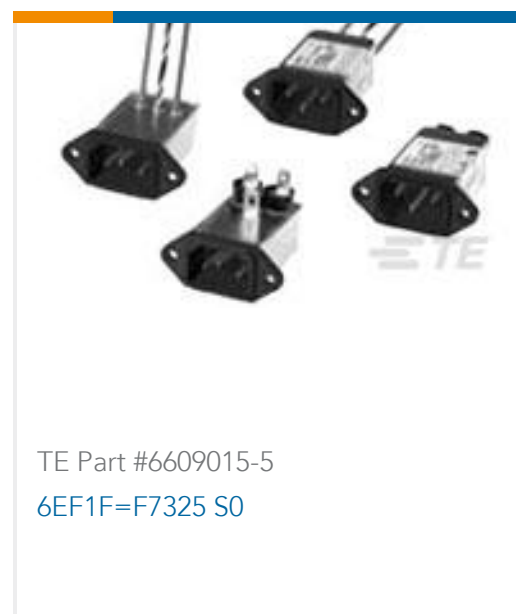


Insertion & Extraction Tools(2)



Rectangular Power Connectors(87)

## Customers Also Bought



## Documents

### Product Drawings

[2MM H.M.,A/B-22 SHROUD 4.5MM](#)

English

### CAD Files

[3D PDF](#)

3D

Customer View Model

[ENG\\_CVM\\_CVM\\_646484-5\\_F.2d\\_dxf.zip](#)

English

Customer View Model

[ENG\\_CVM\\_CVM\\_646484-5\\_F.3d\\_igs.zip](#)

English

Customer View Model

[ENG\\_CVM\\_CVM\\_646484-5\\_F.3d\\_stp.zip](#)

English

By downloading the CAD file I accept and agree to the [Terms and Conditions](#) of use.

### Product Specifications



## Application Specification

English