

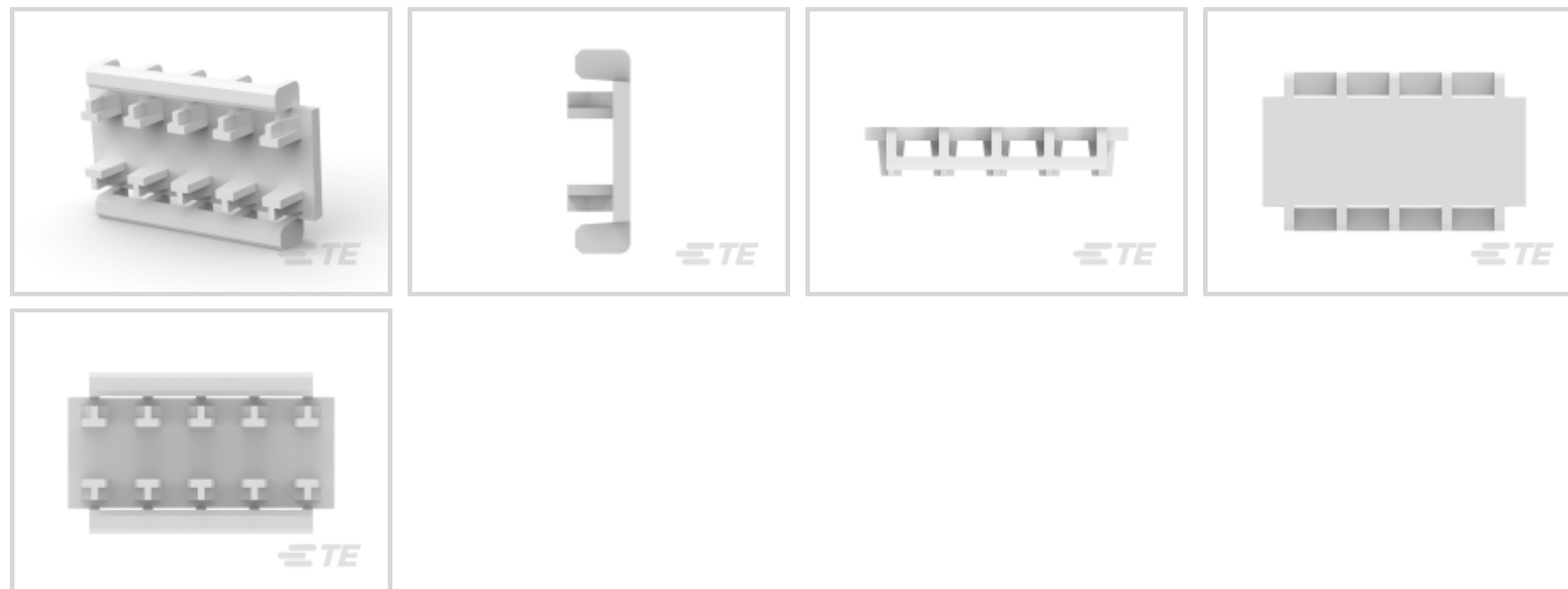
## MTA 156

TE Internal #: 643071-5

PCB Connector Covers, 5 Position, .156 in [3.96 mm] Centerline,  
Nylon, Standard Product Profile, -55 – 105 °C [-67 – 221 °F], MTA  
156

[View on TE.com >](#)

Connectors > PCB Connectors > PCB Connector Accessories > PCB Protection & Strain Relief > PCB Connector Covers



Number of Positions: 5

Centerline (Pitch): 3.96 mm [.156 in]

Primary Product Material: Nylon

Product Profile: Standard

Operating Temperature Range: -55 – 105 °C [-67 – 221 °F]

## Features

### Product Type Features

Product Profile	Standard
-----------------	----------

### Configuration Features

Number of Positions	5
---------------------	---

### Body Features

Primary Product Color	White
-----------------------	-------

Primary Product Material	Nylon
--------------------------	-------

### Housing Features

Centerline (Pitch)	3.96 mm [.156 in]
--------------------	-------------------

### Usage Conditions

Compatible With IDC Installation Type Connector	Feed Thru
---	-----------

Operating Temperature Range	-55 – 105 °C [-67 – 221 °F]
-----------------------------	-----------------------------

### Industry Standards

UL Flammability Rating	UL 94V-2
------------------------	----------

## Product Compliance




[For compliance documentation, visit the product page on TE.com>](#)

EU RoHS Directive 2011/65/EU	Compliant
EU ELV Directive 2000/53/EC	Compliant
China RoHS 2 Directive MIIT Order No 32, 2016	No Restricted Materials Above Threshold
EU REACH Regulation (EC) No. 1907/2006	Current ECHA Candidate List: JUNE 2023 (235) Candidate List Declared Against: JUNE 2023 (235) Does not contain REACH SVHC
Halogen Content	Low Halogen - Br, Cl, F, I < 900 ppm per homogenous material. Also BFR/CFR/PVC Free
Solder Process Capability	Not applicable for solder process capability

### Product Compliance Disclaimer

This information is provided based on reasonable inquiry of our suppliers and represents our current actual knowledge based on the information they provided. This information is subject to change. The part numbers that TE has identified as EU RoHS compliant have a maximum concentration of 0.1% by weight in homogenous materials for lead, hexavalent chromium, mercury, PBB, PBDE, DBP, BBP, DEHP, DIBP, and 0.01% for cadmium, or qualify for an exemption to these limits as defined in the Annexes of Directive 2011/65/EU (RoHS2). Finished electrical and electronic equipment products will be CE marked as required by Directive 2011/65/EU. Components may not be CE marked. Additionally, the part numbers that TE has identified as EU ELV compliant have a maximum concentration of 0.1% by weight in homogenous materials for lead, hexavalent chromium, and mercury, and 0.01% for cadmium, or qualify for an exemption to these limits as defined in the Annexes of Directive 2000/53/EC (ELV). Regarding the REACH Regulation, the information TE provides on SVHC in articles for this part number is based on the latest European Chemicals Agency (ECHA) 'Guidance on requirements for substances in articles' posted at this URL: <https://echa.europa.eu/guidance-documents/guidance-on-reach>

## Compatible Parts

 <p>TE Part # CAT-103156-WBHSM Receptacle Housing: Wire-to-Board, with Mating Alignment, SL156</p>	 <p>TE Part # 640251-5 05P SL156 HSG W/O LCK RAMP</p>	 <p>TE Part # 3-644613-5 05P MTA156 HDR RA PO WO PEG LF</p>	 <p>TE Part # 3-640431-5 05P MTA156 CONN ASSY 18AWG ORA</p>
---	---	--	--




TE Part # 640389-5  
05P MTA156 HDR ASSY SQ R/A F/L



TE Part # 640384-5  
05P MTA156 HDR ASSY STR RND SN



TE Part # 3-641208-5  
05P MTA156 HDR ASSY FL ST LF



TE Part # 3-641210-5  
05P MTA156 HDR FLRA FB 30AU LF



TE Part # 3-640428-5  
05P MTA156 CONN ASSY 22AWG RED



TE Part # 3-643818-5  
05P MTA156 CONN ASSY 20AWG YEL



TE Part # 640385-5  
05P MTA156 HDR ASSY SQ R/A



TE Part # 3-640433-5  
05P MTA156 CONN ASSY 22AWG RED



TE Part # 3-640427-5  
05P MTA156 CONN ASSY 20AWG YEL



TE Part # 3-641119-5  
05P MTA156 HDR ASSY FL/ST LF



TE Part # 3-641217-5  
05P MTA156 CONN ASSY 18AWG ORA



TE Part # 3-643817-5  
05P MTA156 CONN ASSY 18AWG ORA



TE Part # 3-640426-5  
05P MTA156 CONN ASSY 18AWG ORA



TE Part # 3-643819-5  
05P MTA156 CONN ASSY 22AWG RED




TE Part # 640388-5  
05P MTA156 HDR ASSY RN STR F/L

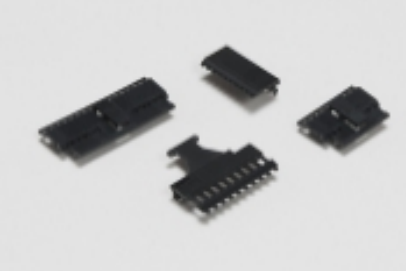


TE Part # 3-640599-5  
05P MTA156 CONN ASSY 18AWG ORA


Also in the Series | **MTA 156**



Insertion & Extraction Tools(1)



PCB Connector Covers(88)



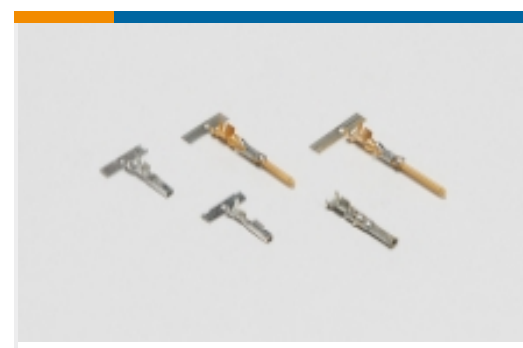
PCB Connector Keying(2)



PCB Connector Mounting(1)



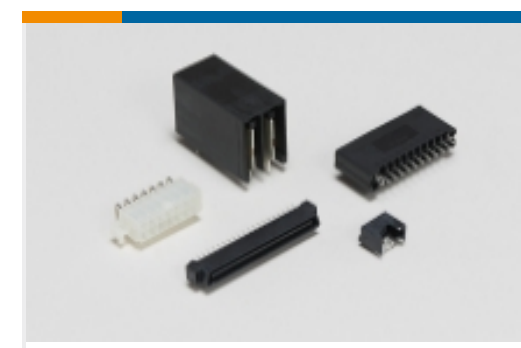
PCB Headers &amp; Receptacles(314)



Power Contacts(2)



Rectangular Power Connectors(698)

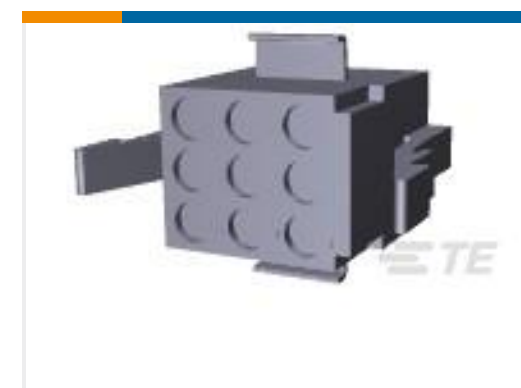
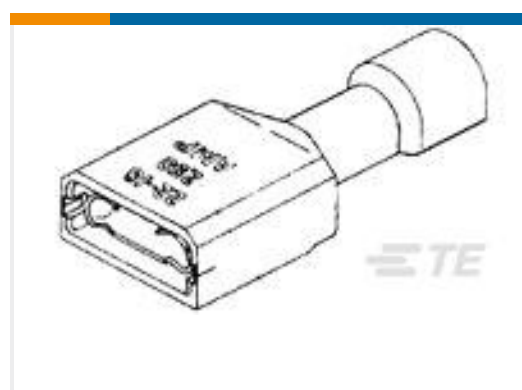
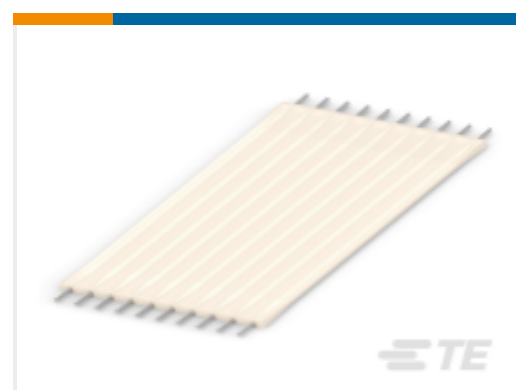


Standard Rectangular Connectors(337)



Wire-to-Board Connector Contacts(2)

## Customers Also Bought

TE Part #281838-8  
HE13/HE14 Crimp HousingsTE Part #3-640621-2  
MTA Receptacle: Nylon, Tin Plated,  
2.54 mmTE Part #643077-3  
Nylon PCB Connector Covers: 2.54  
mm, MTA 100TE Part #1-480274-0  
09P CMNL PLUG HSG P/M NATLTE Part #2-520310-2  
ULTRA-FAST .110/.125 ASY REC 22-18  
TPBRTE Part #3-641437-2  
02P MTA156 PSTD CONN ASSY REDTE Part #1-6437158-3  
FSN-11.5A

## Documents

### Product Drawings

05P MTA156 FD-THRU COVER

English

### CAD Files

3D PDF

3D

Customer View Model

ENG\_CVM\_CVM\_643071-5\_M.2d\_dxf.zip



English

Customer View Model

[ENG\\_CVM\\_CVM\\_643071-5\\_M.3d\\_igs.zip](#)

English

Customer View Model

[ENG\\_CVM\\_CVM\\_643071-5\\_M.3d\\_stp.zip](#)

English

[3D PDF](#)

English

Customer View Model

[ENG\\_CVM\\_643071-5\\_F.2d\\_dxf.zip](#)

English

Customer View Model

[ENG\\_CVM\\_643071-5\\_F.3d\\_igs.zip](#)

English

Customer View Model

[ENG\\_CVM\\_643071-5\\_F.3d\\_stp.zip](#)

English

By downloading the CAD file I accept and agree to the [Terms and Conditions](#) of use.

---

### Product Specifications

[Application Specification](#)

Japanese

[Application Specification](#)

English

[MTA 156 Ribbon Cable Connector Assemblies \(English And Spanish\)](#)

English

[MTA 156 Ribbon Cable Connector Assemblies \(English And Spanish\)](#)

Japanese

---

### Product Environmental Compliance

[Product Compliance](#)

English

[Product Compliance](#)

English

---

### Instruction Sheets

[Instruction Sheet \(U.S.\)](#)

English