



MTA 100

TE Internal #: 641994-1

PCB Connector Keying, Keying Plug, -55 – 105 °C [-67 – 221 °F],

MTA 100

[View on TE.com >](#)

Connectors > PCB Connectors > PCB Connector Accessories > PCB Connector Keying



Connector Keying Accessory Type: **Keying Plug**

Operating Temperature Range: -55 – 105 °C [-67 – 221 °F]

Features

Product Type Features

Connector Keying Accessory Type	Keying Plug
---------------------------------	-------------

Body Features

Primary Product Material	Nylon 6/6
--------------------------	-----------

Primary Product Color	Natural
-----------------------	---------

Usage Conditions

Operating Temperature Range	-55 – 105 °C[-67 – 221 °F]
-----------------------------	----------------------------

Industry Standards

UL Flammability Rating	UL 94V-2
------------------------	----------

Packaging Features

Packaging Quantity	10
--------------------	----

Packaging Method	Carton
------------------	--------

Other

Connector Accessory Comment	10 pieces per carrier., Used with keyed headers.
-----------------------------	--

Product Compliance

[For compliance documentation, visit the product page on TE.com>](#)



EU RoHS Directive 2011/65/EU	Compliant
EU ELV Directive 2000/53/EC	Compliant
China RoHS 2 Directive MIIT Order No 32, 2016	No Restricted Materials Above Threshold
EU REACH Regulation (EC) No. 1907/2006	Current ECHA Candidate List: JUNE 2023 (235) Candidate List Declared Against: JUNE 2023 (235) Does not contain REACH SVHC
Halogen Content	BFR/CFR/PVC Free, but Br/Cl >900 ppm in other sources.
Solder Process Capability	Not applicable for solder process capability

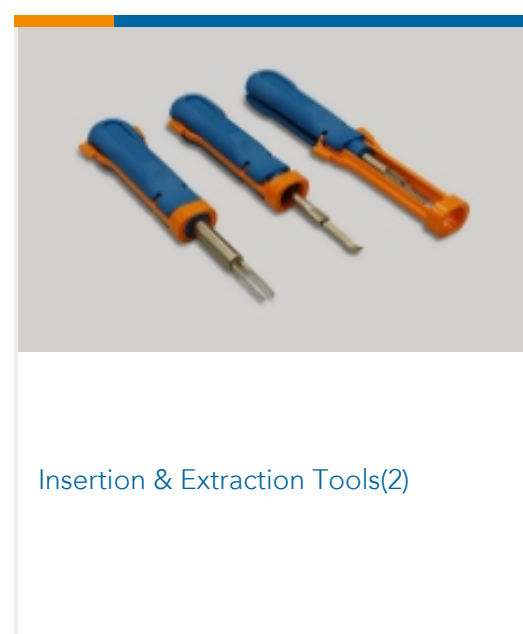
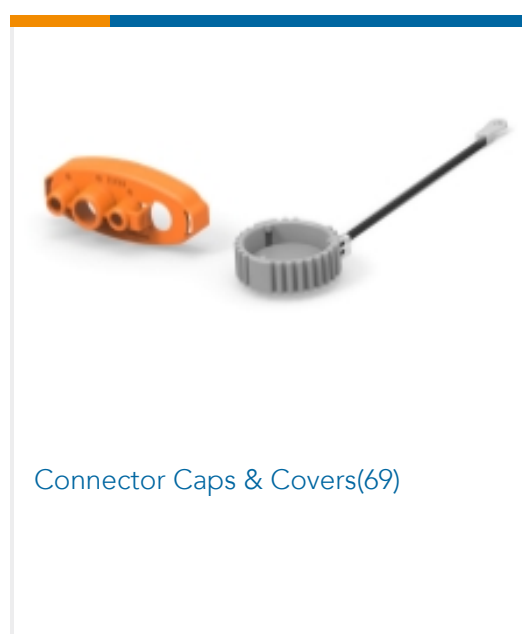
Product Compliance Disclaimer

This information is provided based on reasonable inquiry of our suppliers and represents our current actual knowledge based on the information they provided. This information is subject to change. The part numbers that TE has identified as EU RoHS compliant have a maximum concentration of 0.1% by weight in homogenous materials for lead, hexavalent chromium, mercury, PBB, PBDE, DBP, BBP, DEHP, DIBP, and 0.01% for cadmium, or qualify for an exemption to these limits as defined in the Annexes of Directive 2011/65/EU (RoHS2). Finished electrical and electronic equipment products will be CE marked as required by Directive 2011/65/EU. Components may not be CE marked. Additionally, the part numbers that TE has identified as EU ELV compliant have a maximum concentration of 0.1% by weight in homogenous materials for lead, hexavalent chromium, and mercury, and 0.01% for cadmium, or qualify for an exemption to these limits as defined in the Annexes of Directive 2000/53/EC (ELV). Regarding the REACH Regulation, the information TE provides on SVHC in articles for this part number is based on the latest European Chemicals Agency (ECHA) 'Guidance on requirements for substances in articles' posted at this URL: <https://echa.europa.eu/guidance-documents/guidance-on-reach>

Compatible Parts



Also in the Series | MTA 100





Standard Rectangular Connectors(495)



Wire-to-Board Connector Assemblies & Housings(1)

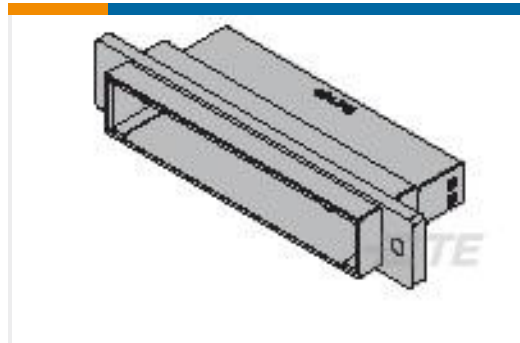


Wire-to-Board Connector Contacts(8)

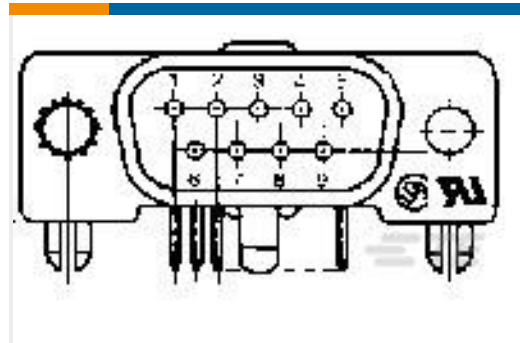
Customers Also Bought



TE Part #3-644563-2
02P MTA100 CONN ASSY F/T 24AWG



TE Part #1318578-2
DYNAMIC D-2000 TAB HSG 50P P/M



TE Part #745001-3
09 PLUG RA/AP STD



TE Part #147278-3
04 MTE HDR SRRA SFMNT .100CL



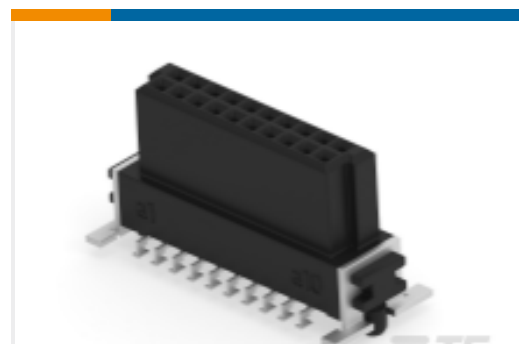
TE Part #4-644457-2
12P MTA100 HDR ASSY R/A NARROW



TE Part #225822-E
POWELM GEWINK VOLLM M4 5 2,54
* EP 14 NI



TE Part #254415-E
SMCQ 20 M AB VV 8-23 CL * H007 137
E005



TE Part #354063-E
SMCB 20 F AB VV 7-03 CL * H007 137
E002



TE Part #L9000250-01
RP-SMA Jack 50 Ohm .062 PCB Edge
Mount

Documents

Product Drawings

[MTA100 KEYING PLUG W/CARRIER](#)

English

CAD Files

[3D PDF](#)

[3D](#)

[Customer View Model](#)

[ENG_CVM_CVM_641994-1_H.2d_dxf.zip](#)



English

Customer View Model

[ENG_CVM_CVM_641994-1_H.3d_igs.zip](#)

English

Customer View Model

[ENG_CVM_CVM_641994-1_H.3d_stp.zip](#)

English

Customer View Model

[ENG_CVM_641994-1_D1.2d_dxf.zip](#)

English

Customer View Model

[ENG_CVM_641994-1_D1.3d_igs.zip](#)

English

Customer View Model

[ENG_CVM_641994-1_D1.3d_stp.zip](#)

English

[3D PDF](#)

English

By downloading the CAD file I accept and agree to the [Terms and Conditions](#) of use.

Datasheets & Catalog Pages

[1-1773732-4_DYNAMIC_SERIES_CATALOG_ENGLISH](#)

Japanese

[1-1773732-4_DYNAMIC_SERIES_CATALOG_ENGLISH](#)

English

Product Specifications

[Application Specification](#)

English

Product Environmental Compliance

[MD_641994-1_060720181351_dmtec](#)

English

[MD_641994-1_060720181351_dmtec](#)

English