

641974-1 ✓ ACTIVE

MATE-N-LOK | Universal MATE-N-LOK

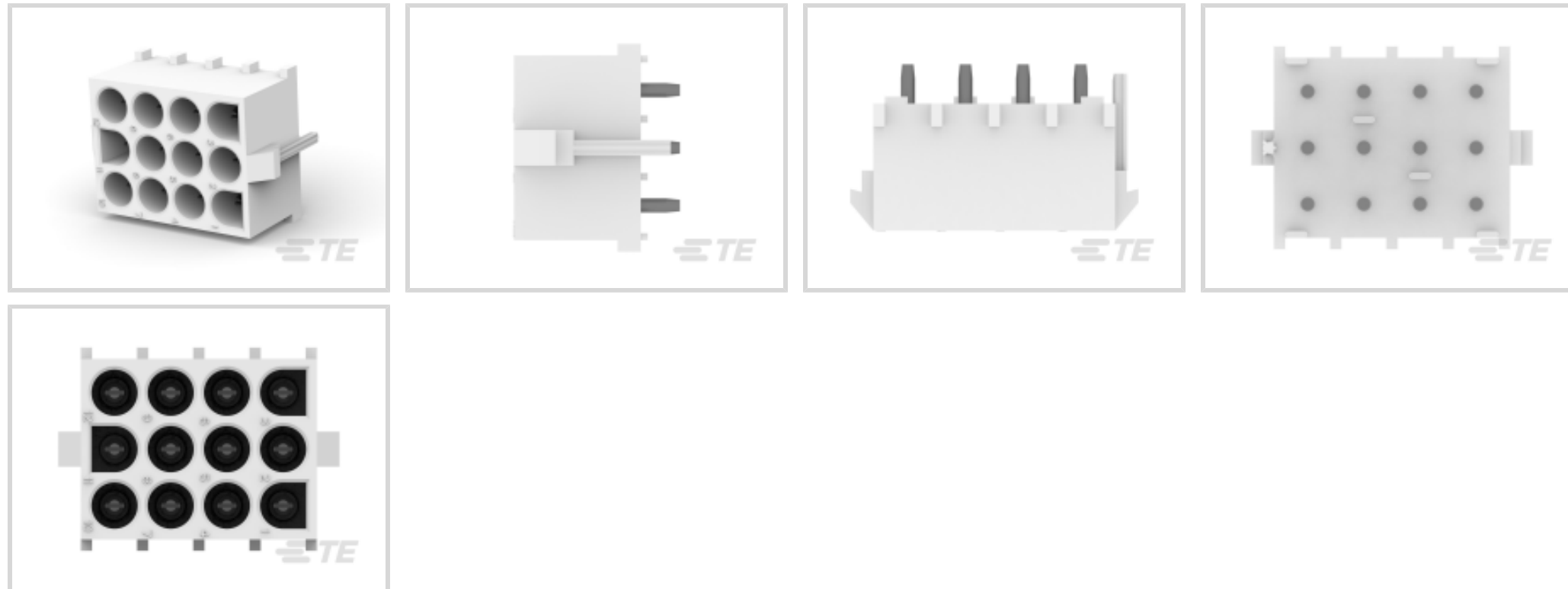
TE Internal #: 641974-1

Rectangular Power Connectors, Header, Receptacle, Wire-to-Board, 12 Position, 6.35 mm [.25 in] Centerline, Printed Circuit Board, Universal MATE-N-LOK

[View on TE.com >](#)



Connectors > Power Connectors > Rectangular Power > Rectangular Power Connectors



Rectangular Power Connector Type: **Header**

Connector & Housing Type: **Receptacle**

Connector System: **Wire-to-Board**

Number of Positions: **12**

Centerline (Pitch): **6.35 mm [.25 in]**

Features

Product Type Features

Rectangular Power Connector Type	Header
Connector & Housing Type	Receptacle
Connector System	Wire-to-Board
Sealable	No
Connector & Contact Terminates To	Printed Circuit Board

Configuration Features

Number of Positions	12
PCB Mount Orientation	Vertical
Number of Power Positions	12
Number of Signal Positions	0
Number of Rows	3

Electrical Characteristics

Operating Voltage	600 VAC
-------------------	---------

Contact Features



Multiple Contact Types	Without
Contact Layout	Matrix
Contact Mating Area Plating Material	Tin
Contact Current Rating (Max)	12 A
Contact Retention Within Housing	Without
Contact Type	Pin
PCB Contact Termination Area Plating Material	Pre-Tin
Contact Mating Area Plating Material Thickness	3.81 – 5.08 µm[150 – 200 µin]

Termination Features

Termination Post & Tail Length	3.7 mm[.146 in]
Termination Method to Printed Circuit Board	Through Hole - Solder

Mechanical Attachment

PCB Mount Alignment Type	Standard Polarized Tail
Strain Relief	Without
Mating Alignment Type	Polarization
Mating Retention	With
Mating Alignment	With
PCB Mount Alignment	With
Panel Mount Feature	Without
PCB Mount Retention	Without
Mating Retention Type	Positive Lock
Connector Mounting Type	Board Mount

Housing Features

Centerline (Pitch)	6.35 mm[.25 in]
Housing Color	White
Housing Material	Nylon

Dimensions

PCB Thickness (Recommended)	3.18 mm[.125 in]
Row-to-Row Spacing	6.35 mm[.25 in]

Usage Conditions

Operating Temperature Range	-40 – 105 °C[-40 – 221 °F]
-----------------------------	----------------------------

Operation/Application



Circuit Application	Power
---------------------	-------

Industry Standards

CSA Rating	Certified, LR 7189
UL Rating	Recognized
Agency/Standard	CSA, UL, VDE
Approved Standards	UL E28476
UL Flammability Rating	UL 94V-0
Glow Wire Rating	Standard Part - Not Glow Wire

Packaging Features

Packaging Quantity	75
Packaging Method	Bag

Product Compliance

[For compliance documentation, visit the product page on TE.com>](#)

EU RoHS Directive 2011/65/EU	Compliant
EU ELV Directive 2000/53/EC	Compliant
China RoHS 2 Directive MIIT Order No 32, 2016	No Restricted Materials Above Threshold
EU REACH Regulation (EC) No. 1907/2006	Current ECHA Candidate List: JUNE 2023 (235) Candidate List Declared Against: JUNE 2023 (235) Does not contain REACH SVHC
Halogen Content	Low Halogen - Br, Cl, F, I < 900 ppm per homogenous material. Also BFR/CFR/PVC Free
Solder Process Capability	Wave solder capable to 265°C

Product Compliance Disclaimer

This information is provided based on reasonable inquiry of our suppliers and represents our current actual knowledge based on the information they provided. This information is subject to change. The part numbers that TE has identified as EU RoHS compliant have a maximum concentration of 0.1% by weight in homogenous materials for lead, hexavalent chromium, mercury, PBB, PBDE, DBP, BBP, DEHP, DIBP, and 0.01% for cadmium, or qualify for an exemption to these limits as defined in the Annexes of Directive 2011/65/EU (RoHS2). Finished electrical and electronic equipment products will be CE marked as required by Directive 2011/65/EU. Components may not be CE marked. Additionally, the part numbers that TE has identified as EU ELV compliant have a maximum concentration of 0.1% by weight in homogenous materials for lead, hexavalent chromium, and mercury, and 0.01% for cadmium, or qualify for an exemption to these limits as defined in the Annexes of Directive 2000/53/EC (ELV). Regarding the REACH Regulation, the information TE provides on SVHC in articles for this part number is based on the latest European Chemicals Agency (ECHA) 'Guidance on requirements for substances in articles' posted at this URL: <https://echa.europa.eu/guidance-documents/guidance-on-reach>

Compatible Parts

 <p>TE Part # 350735-1 12P UMNL PLUG HSG</p>	 <p>TE Part # 770022-1 12P UMNLII IN-LNE PLUG HSG KIT</p>	 <p>TE Part # 350812-1 STR/REL CLAMP UMNL</p>	 <p>TE Part # 794279-1 12P UMNL INTERFACE SEAL</p>
 <p>TE Part # 926681-3 12P UNIV.CAP HSG.</p>	 <p>TE Part # 640717-1 12P UMNL STR/REL</p>	 <p>TE Part # 794280-1 12P UMNL WIRE SEAL</p>	 <p>TE Part # 1-350590-0 STR/REL CLAMP NATL</p>
 <p>TE Part # 641968-3 04P UMNL PIN HDR ASSY POL 94VO</p>	 <p>TE Part # 926681-1 UNIV.M-N-L.CAP HSG.</p>	 <p>TE Part # 643428-2 12P UMNL HDR ASSY POL</p>	 <p>TE Part # 643428-3 12P UMNL HDR ASSY POL 94VO</p>
 <p>TE Part # 1-640723-0 12P UMNL STR/REL & INSRT NATL</p>	 <p>TE Part # 1586854-1 12P UMNL CAP HSG, GW</p>	 <p>TE Part # 1863006-1 12P UMNL CAP HSG</p>	 <p>TE Part # 643255-1 12P UMNL ASSY MOD HSG VO</p>
 <p>TE Part # 794727-1 12P UMNL CAP HSG NATL, BLACK</p>	 <p>TE Part # 2178620-1 UMNL 12 WAY CAP HOUSING</p>	 <p>TE Part # 2178621-1 UMNL 12 WAY CAP HOUSING</p>	

Also in the Series | [Universal MATE-N-LOK](#)



Circular Power Connectors(2)



Connector Caps & Covers(34)



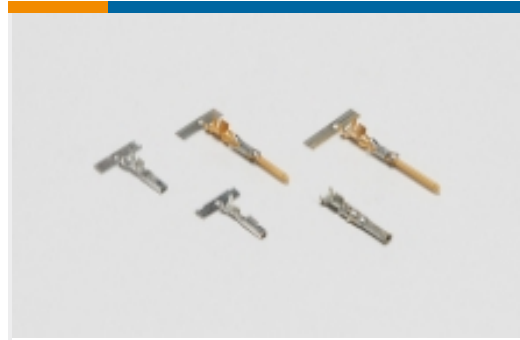
Connector Contacts(2)



Connector Seals & Cavity Plugs(27)



Insertion & Extraction Tools(4)



Power Contacts(207)



Rectangular Connector Adapters(7)



Rectangular Connector Hardware(1)



Rectangular Connector Housings(1)



Rectangular Connector Keying Plugs(3)



Rectangular Connector Locking(8)



Rectangular Power Connectors(672)

Customers Also Bought



TE Part #1-207532-0
SKT HDR ASSY,24P,MMATE LF



TE Part #2-34120-1
TERMINAL,SOLIS R 16-14 6



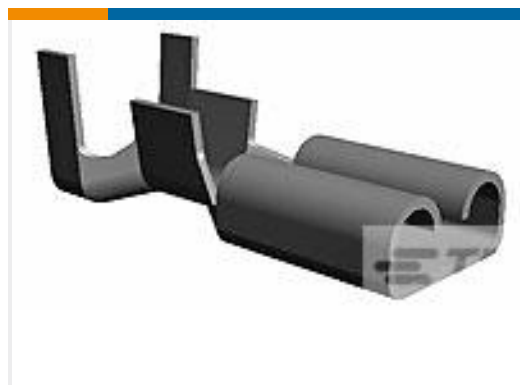
TE Part #4-1601140-1
053-001-000=LEADLOK2,SMZ



TE Part #350700-1
UMNL SPLIT PIN PTPBR



TE Part #1981560-1
ME M D1100 24P-R PLUG CASE ASSY



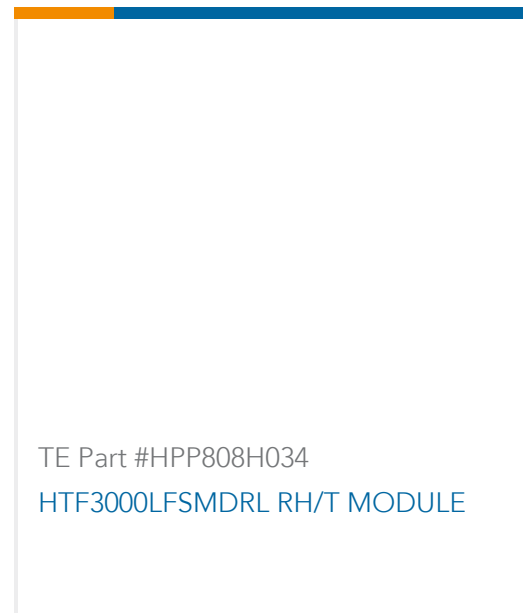
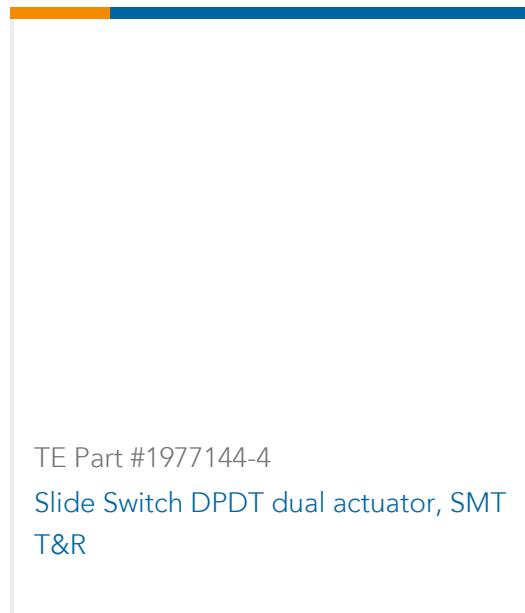
TE Part #60573-2
187 FASTON REC 24-20 BR



TE Part #4-406541-8
MJ,INV,1X1,0PNL G.,100"ST,SN



TE Part #124098-E
ERMF 88 FS EE * 3,70 A-H V-V * * 247 E-P



Documents

Product Drawings

[12P UMNL PIN HDR ASSY 94VO](#)

English

CAD Files

[3D PDF](#)

3D

Customer View Model

[ENG_CVM_CVM_641974-1_S.2d_dxf.zip](#)

English

Customer View Model

[ENG_CVM_CVM_641974-1_S.3d_igs.zip](#)

English

Customer View Model

[ENG_CVM_CVM_641974-1_S.3d_stp.zip](#)

English

Customer View Model

[ENG_CVM_641974-1_P.3d_igs.zip](#)

English

Customer View Model

[ENG_CVM_641974-1_P.3d_stp.zip](#)

English

Customer View Model

[ENG_CVM_641974-1_P.2d_dxf.zip](#)

English

[3D PDF](#)

English

By downloading the CAD file I accept and agree to the [Terms and Conditions](#) of use.

Datasheets & Catalog Pages

[SOFT_SHELL_PIN_SOCKET_CONNECTORS_STANDARD_DENSITY](#)

English

Product Specifications

[Application Specification](#)

English



Product Environmental Compliance

[MD_641974-1_11062017424_dmtec](#)

English

[MD_641974-1_11062017424_dmtec](#)

English

Instruction Sheets

[Instruction Sheet \(U.S.\)](#)

English