

641775-1 ✓ ACTIVE

MATE-N-LOK | Universal MATE-N-LOK

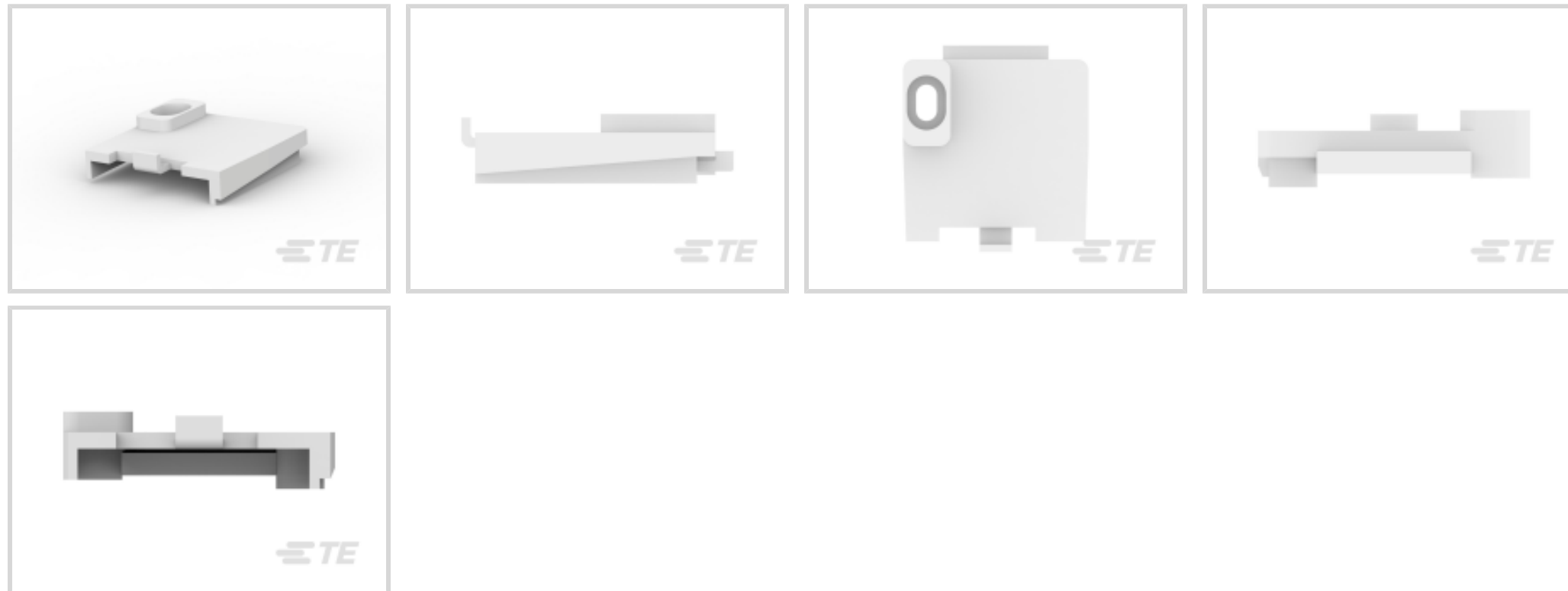
TE Internal #: 641775-1

Strain Relief Cover, Nylon, Natural, 4 Position, Universal MATE-N-LOK

[View on TE.com >](#)



Connectors > Connector Accessories > Connector Strain Relief



Strain Relief Accessory Type: **Strain Relief Cover**

Primary Product Material: **Nylon**

Primary Product Color: **Natural**

Number of Positions: **4**

Packaging Method: **Package**

Features

Product Type Features

Connector Accessory Options	Insert
Strain Relief Accessory Type	Strain Relief Cover

Configuration Features

Number of Positions	4
---------------------	---

Body Features

Primary Product Material	Nylon
Primary Product Color	Natural

Usage Conditions

Operating Temperature Range	-20 – 105 °C[-4 – 221 °F]
-----------------------------	---------------------------

Industry Standards

Agency/Standard	CSA, UL
-----------------	---------

Packaging Features

Packaging Method	Package
Packaging Quantity	1



Other

Connector Accessory Comment

Must use cap housing adapters when attaching strain reliefs to a cap housing. Two adapters required per housing., Strain relief part number represents one half of a strain relief. Two of a part number are required per connector.

Product Compliance

[For compliance documentation, visit the product page on TE.com>](#)

EU RoHS Directive 2011/65/EU

Compliant

EU ELV Directive 2000/53/EC

Compliant

China RoHS 2 Directive MIIT Order No 32, 2016

No Restricted Materials Above Threshold

EU REACH Regulation (EC) No. 1907/2006

Current ECHA Candidate List: JUNE 2023 (235)
Candidate List Declared Against: JUNE 2023 (235)
Does not contain REACH SVHC

Halogen Content

Low Halogen - Br, Cl, F, I < 900 ppm per homogenous material. Also BFR/CFR/PVC Free

Solder Process Capability

Not applicable for solder process capability

Product Compliance Disclaimer

This information is provided based on reasonable inquiry of our suppliers and represents our current actual knowledge based on the information they provided. This information is subject to change. The part numbers that TE has identified as EU RoHS compliant have a maximum concentration of 0.1% by weight in homogenous materials for lead, hexavalent chromium, mercury, PBB, PBDE, DBP, BBP, DEHP, DIBP, and 0.01% for cadmium, or qualify for an exemption to these limits as defined in the Annexes of Directive 2011/65/EU (RoHS2). Finished electrical and electronic equipment products will be CE marked as required by Directive 2011/65/EU. Components may not be CE marked. Additionally, the part numbers that TE has identified as EU ELV compliant have a maximum concentration of 0.1% by weight in homogenous materials for lead, hexavalent chromium, and mercury, and 0.01% for cadmium, or qualify for an exemption to these limits as defined in the Annexes of Directive 2000/53/EC (ELV). Regarding the REACH Regulation, the information TE provides on SVHC in articles for this part number is based on the latest European Chemicals Agency (ECHA) 'Guidance on requirements for substances in articles' posted at this URL: <https://echa.europa.eu/guidance-documents/guidance-on-reach>

Compatible Parts

 <p>TE Part # 350793-1 04P UMNL PIN HDR ASSY 94VO</p>	 <p>TE Part # 350430-4 04P UMNL PIN HDR ASSY NATL LF</p>	 <p>TE Part # 350826-4 04P UMNL HDR ASSY PC 94VO LF</p>	 <p>TE Part # 350761-5 04P UMNL HDR ASSY PC LF</p>
 <p>TE Part # 350793-3 04P UMNL PIN HDR ASSY 94VO LF</p>	 <p>TE Part # 350430-1 04P UMNL PIN HDR ASSY NATL</p>	 <p>TE Part # 1-350944-0 04P UMNL HDR ASSY R/A 94VO</p>	 <p>TE Part # 350792-1 04P UMNL PIN HDR ASSY 94VO</p>
 <p>TE Part # 641968-1 04P UMNL PIN HDR ASSY POL 94VO</p>	 <p>TE Part # 643415-1 04P UMNL HDR ASSY POL</p>	 <p>TE Part # 350826-1 04P UMNL HDR ASSY PC 94VO</p>	 <p>TE Part # 643230-1 04P UMNL HDR ASSY R/A 94VO</p>
 <p>TE Part # 350780-1 04P UMNL CAP HSG</p>	 <p>TE Part # 1-480703-0 04P UMNL CAP HSG NATL</p>	 <p>TE Part # 3-350944-0 04P UMNL HDR ASSY R/A 94VO</p>	 <p>TE Part # 350761-4 04P UMNL HDR ASSY PC</p>
 <p>TE Part # 1-480702-0 04P UMNL PLUG HSG NATL</p>	 <p>TE Part # 641967-1 04P UMNL PIN HDR ASSY POL NATL</p>	 <p>TE Part # 643416-1 04P UMNL HDR ASSY POL 94VO</p>	 <p>TE Part # 350584-1 04P UMNL PIN HDR ASSY V2 NATL</p>

Also in the Series | [Universal MATE-N-LOK](#)



Circular Power Connectors(2)



Connector Contacts(2)



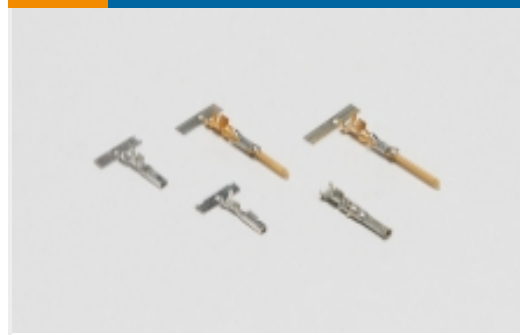
Connector Seals & Cavity Plugs(27)



Connector Strain Relief(34)



Insertion & Extraction Tools(4)



Power Contacts(207)



Rectangular Connector Adapters(7)



Rectangular Connector Hardware(1)



Rectangular Connector Housings(1)



Rectangular Connector Keying Plugs(3)



Rectangular Connector Locking(8)



Rectangular Power Connectors(672)

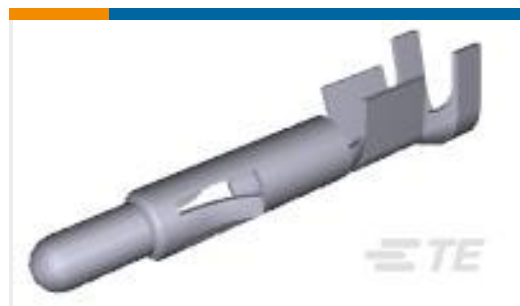
Customers Also Bought



TE Part #1-1630019-0
HSC200 1R0 5%



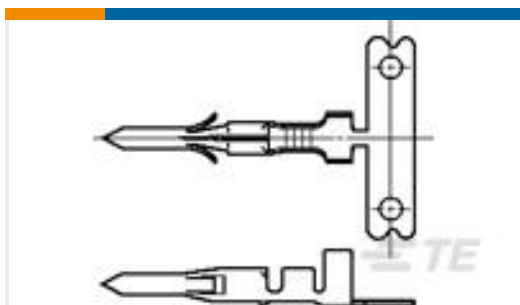
TE Part #5-1393252-6
W67-X2Q12-15=M6/M7/M9/W6/W7



TE Part #350547-2
UMNL PIN 20-14 AUBR L/P



TE Part #350550-2
UMNL SOK 20-14 AU/BR L/P



TE Part #350629-5
.062 COMM P&S PIN AUNI/BR



TE Part #4-1393144-1
K10P-11A15-24=K10/K20



TE Part #2-1393122-6
KHAU-17A11N-120=KH



TE Part #90391-3
DIES ULTRA-FAST FASTON 16-14 DIE SET



Documents

Product Drawings

[04P UMNL STR/REL & INSRT NATL](#)

English

CAD Files

3D PDF

3D

Customer View Model

[ENG_CVM_CVM_641775-1_U.2d_dxf.zip](#)

English

Customer View Model

[ENG_CVM_CVM_641775-1_U.3d_igs.zip](#)

English

Customer View Model

[ENG_CVM_CVM_641775-1_U.3d_stp.zip](#)

English

Customer View Model

[ENG_CVM_641775-1_D.3d_igs.zip](#)

English

Customer View Model

[ENG_CVM_641775-1_D.3d_stp.zip](#)

English

Customer View Model

[ENG_CVM_641775-1_D.2d_dxf.zip](#)

English

3D PDF

English

By downloading the CAD file I accept and agree to the [Terms and Conditions](#) of use.

Datasheets & Catalog Pages

[SOFT_SHELL_PIN_SOCKET_CONNECTORS_STANDARD_DENSITY](#)

English

Product Specifications

[Application Specification](#)

English



Product Environmental Compliance

[TE Material Declaration](#)

English

Instruction Sheets

[Instruction Sheet \(U.S.\)](#)

English