

641256-1 ✓ ACTIVE

FASTIN-FASTON | FASTIN-FASTON 250

TE Internal #: 641256-1

Quick Disconnects, Tab, 18 – 14 AWG Wire Size, .82 – 2.08 mm²

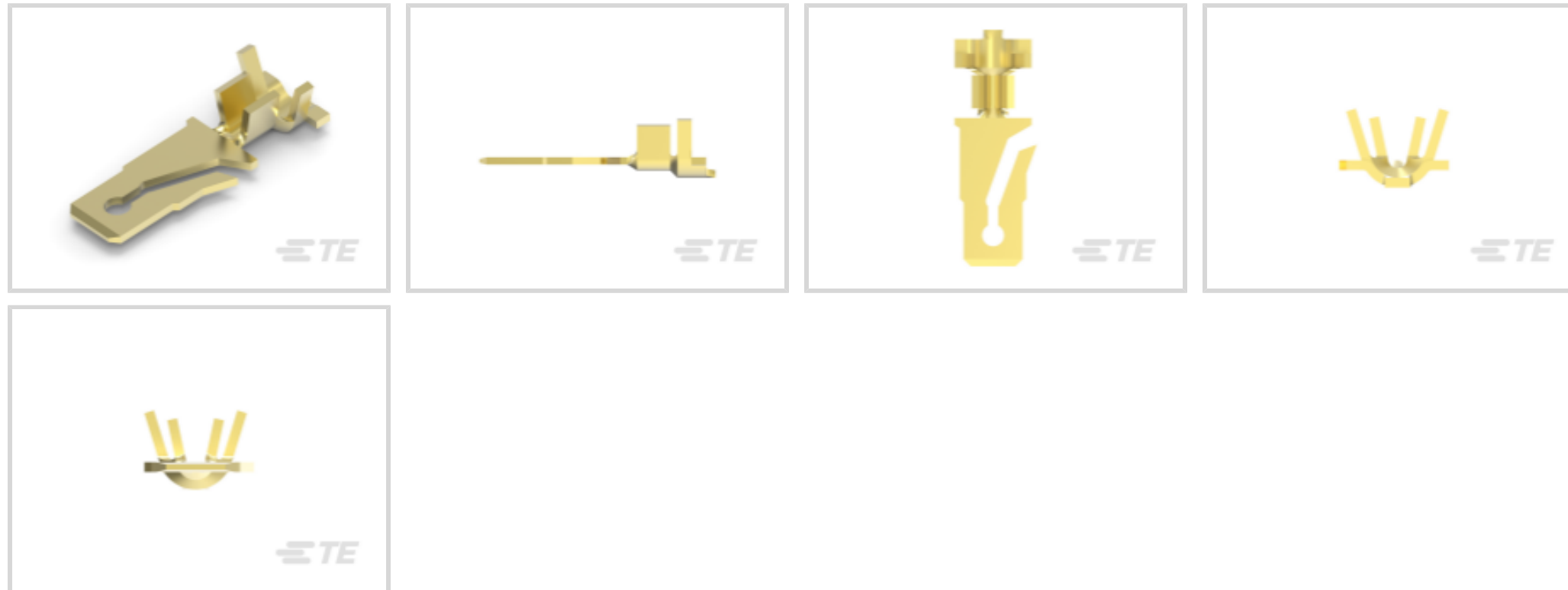
Wire Size, Mating Tab Width 6.35 mm [.25 in], Straight, Brass,

FASTIN-FASTON 250

[View on TE.com >](#)



Terminals & Splices > Quick Disconnects



Quick Disconnect Terminal Type: **Tab**

Wire Size: **.82 – 2.08 mm²**

Mating Tab Width: **6.35 mm [.25 in]**

Terminal Orientation: **Straight**

Features

Configuration Features

Connection Capacity	Single
Compatible With Wire & Cable Type	Discrete Wire

Contact Features

Quick Disconnect Terminal Type	Tab
Mating Tab Width	6.35 mm [.25 in]
Terminal Orientation	Straight
Contact Base Material	Brass
Terminal Plating Material	Unplated
Crimp Type	F-Crimp
Barrel Type	Open

Termination Features

Product Terminates To	Wire & Cable
-----------------------	--------------

Mechanical Attachment

Wire Insulation Support	With
-------------------------	------



Dimensions

Terminal Material Thickness	.79 mm[.031 in]
Product Length	25.78 mm[1.015 in]
Compatible Insulation Diameter Range	3.6 mm[.142 in]
Wire Size	.82 – 2.08 mm ²

Usage Conditions

Insulation Option	Uninsulated
Operating Temperature Range	-40 – 110 °C[-40 – 230 °F]

Packaging Features

Packaging Quantity	500
Packaging Method	Loose Piece/Carton

Product Compliance

[For compliance documentation, visit the product page on TE.com>](#)

EU RoHS Directive 2011/65/EU	Compliant
EU ELV Directive 2000/53/EC	Compliant
China RoHS 2 Directive MIIT Order No 32, 2016	No Restricted Materials Above Threshold
EU REACH Regulation (EC) No. 1907/2006	Current ECHA Candidate List: JUNE 2023 (235) Candidate List Declared Against: JUNE 2023 (235) Does not contain REACH SVHC
Halogen Content	Low Halogen - Br, Cl, F, I < 900 ppm per homogenous material. Also BFR/CFR/PVC Free
Solder Process Capability	Not applicable for solder process capability

Product Compliance Disclaimer

This information is provided based on reasonable inquiry of our suppliers and represents our current actual knowledge based on the information they provided. This information is subject to change. The part numbers that TE has identified as EU RoHS compliant have a maximum concentration of 0.1% by weight in homogenous materials for lead, hexavalent chromium, mercury, PBB, PBDE, DBP, BBP, DEHP, DIBP, and 0.01% for cadmium, or qualify for an exemption to these limits as defined in the Annexes of Directive 2011/65/EU (RoHS2). Finished electrical and electronic equipment products will be CE marked as required by Directive 2011/65/EU. Components may not be CE marked. Additionally, the part numbers that TE has identified as EU ELV compliant have a maximum concentration of 0.1% by weight in homogenous materials for lead, hexavalent chromium, and mercury, and 0.01% for cadmium, or qualify for an exemption to these limits as defined in the Annexes of Directive 2000/53/EC (ELV). Regarding the REACH Regulation, the information TE provides on SVHC in articles for this part number is based on the latest European Chemicals Agency (ECHA) 'Guidance on requirements for substances in articles' posted at this URL: <https://echa.europa.eu/guidance-documents/guidance-on-reach>



Compatible Parts



TE Part # 180409-2
 FF 250 TAB 4-6MM2 PTBR LP



TE Part # 160451-2
 FF 250 TAB 18-14AWG TPPB LP



TE Part # 42241-2
 FF 250 TAB 18-14 AWG .032 TPBR



TE Part # 42241-1
 FF 250 TAB 18-16AWG BR



TE Part # 42282-1
 FF 250 REC 18-14AWG BR LP



TE Part # 42238-1
 FF 250 REC 18-14AWG BR PRE CRIMPD



TE Part # 170051-1
 FF 250 TAB 20-14AWG BR LP

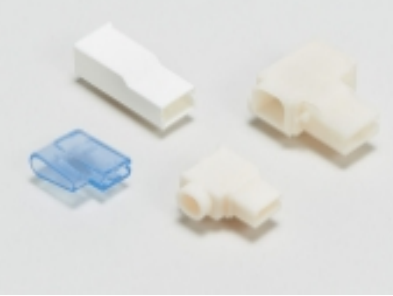


TE Part # 180409-1
 FF 250 TAB 4-6MM2 BR LP




TE Part # 880654-1
 .250 SERIES FASTIN-


Also in the Series | FASTIN-FASTON 250




Crimp Terminal Housings(211)



Insertion & Extraction Tools(2)



PCB Terminals(2)



Quick Disconnects(254)

Customers Also Bought



TE Part #HDP26-24-23SE
DEUTSCH HDP20 Housings



TE Part #HD10-9-1939PE
SQ FG REC ASM



TE Part #DT04-3P
DEUTSCH DT Receptacle Connectors



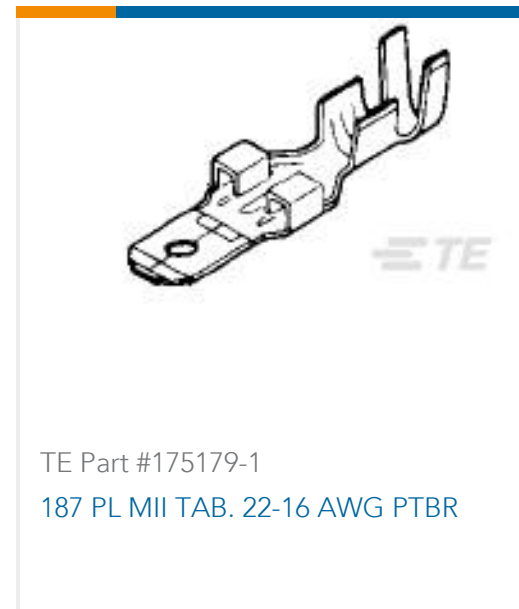
TE Part #DT06-6S-CE05
PLG, 6P, BLK, E, SEAL RET, CAP



TE Part #1393030-7
SSR-240D25= PANEL MOUNT, 25A,
240VAC-DC i/p



TE Part #880642-2
RING TONGUE 1.0-2.5 MM2 0.61X14.
60 TPBR



TE Part #175179-1
187 PL MII TAB. 22-16 AWG TPBR



TE Part #1217580-1
PL 187 TERMINAL REC 20-16 AWG
TPBR

Documents

Product Drawings

BLADE TAB 250 18-14AWG BR LP

English

CAD Files

3D PDF

3D

Customer View Model

[ENG_CVM_CVM_641256-1_D.2d_dxf.zip](#)

English

Customer View Model

[ENG_CVM_CVM_641256-1_D.3d_igs.zip](#)

English

Customer View Model

[ENG_CVM_CVM_641256-1_D.3d_stp.zip](#)

English

By downloading the CAD file I accept and agree to the [Terms and Conditions](#) of use.

Product Specifications

Application Specification

English

Special 250 Blade Terminal

English

Product Environmental Compliance

[MD_641256-1_031120162225_dmtec](#)

English

641256-1

Quick Disconnects, Tab, 18 – 14 AWG Wire Size, .82 – 2.08 mm² Wire Size, Mating
Tab Width 6.35 mm [.25 in], Straight, Brass, FASTIN-FASTON 250



[MD_641256-1_031120162225_dmtec](#)

English