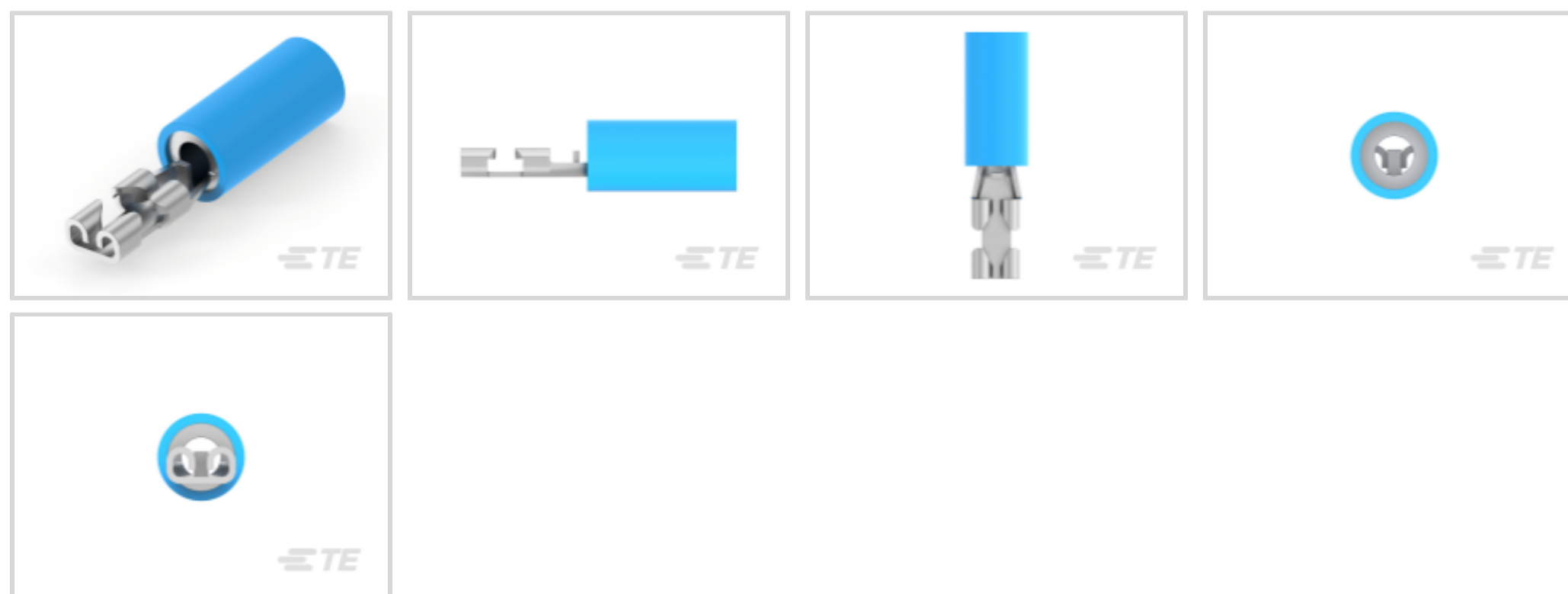




Terminals & Splices > Quick Disconnects



Quick Disconnect Terminal Type: **Receptacle**

Wire Size: **2050 – 5180 CMA**

Mating Tab Width: **2.79 mm [ .11 in ]**

## Features

### Product Type Features

Terminal Features	Wire Stop
Insertion Force	Low

### Electrical Characteristics

Voltage Rating	300 V
----------------	-------

### Body Features

Insulation Material	Nylon
---------------------	-------

### Contact Features

Quick Disconnect Terminal Type	Receptacle
Mating Tab Width	2.79 mm [.11 in]
Mating Tab Thickness	.51 mm [.02 in]
Terminal Orientation	Straight
Contact Base Material	Brass
Terminal Plating Material	Pre-Tin
Crimp Type	Compression
Barrel Type	Closed

### Termination Features



Product Terminates To	Wire & Cable
-----------------------	--------------

### Mechanical Attachment

Wire Insulation Support	With
-------------------------	------

### Dimensions

Terminal Material Thickness	.41 mm[.016 in]
Product Length	20.36 mm[.8 in]
Compatible Insulation Diameter Range	4.32 mm[.17 in]
Wire Size	2050 – 5180 CMA

### Usage Conditions

Insulation Option	Partially Insulated
Operating Temperature Range	105 °C[221 °F]

### Industry Standards

Agency/Standard	CSA, RU (UL Component Program)
-----------------	--------------------------------

### Packaging Features

Packaging Quantity	4000
Packaging Method	Package

### Other

Barrel Color	Blue
--------------	------

## Product Compliance

[For compliance documentation, visit the product page on TE.com>](#)

EU RoHS Directive 2011/65/EU	Compliant
EU ELV Directive 2000/53/EC	Compliant
China RoHS 2 Directive MIIT Order No 32, 2016	No Restricted Materials Above Threshold
EU REACH Regulation (EC) No. 1907/2006	Current ECHA Candidate List: JUNE 2023 (235) Candidate List Declared Against: JUNE 2023 (235) Does not contain REACH SVHC
Halogen Content	Low Halogen - Br, Cl, F, I < 900 ppm per homogenous material. Also BFR/CFR/PVC Free
Solder Process Capability	Not applicable for solder process capability

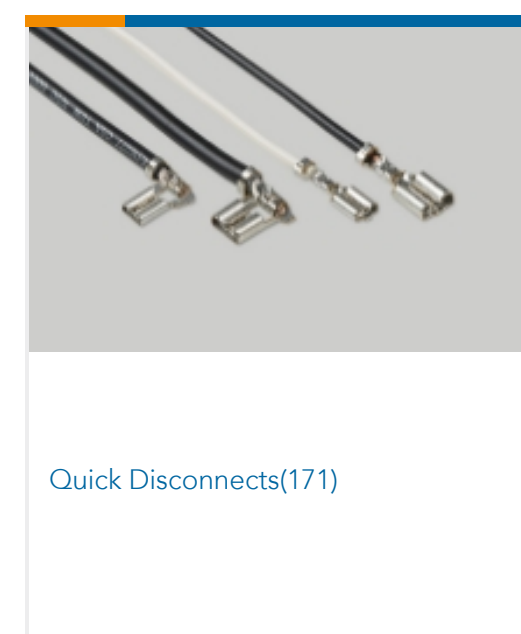
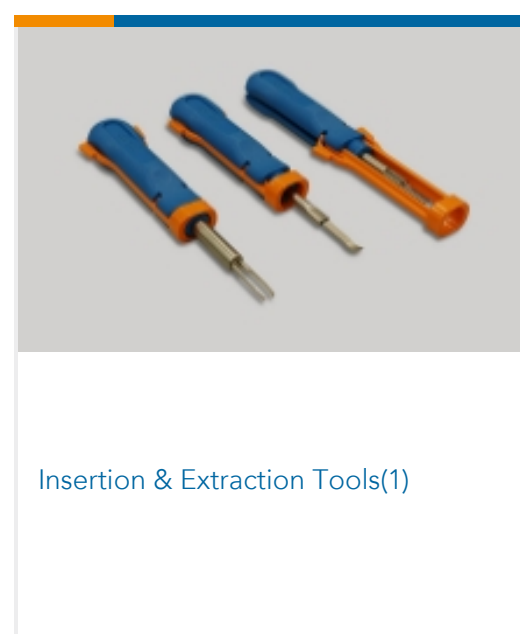
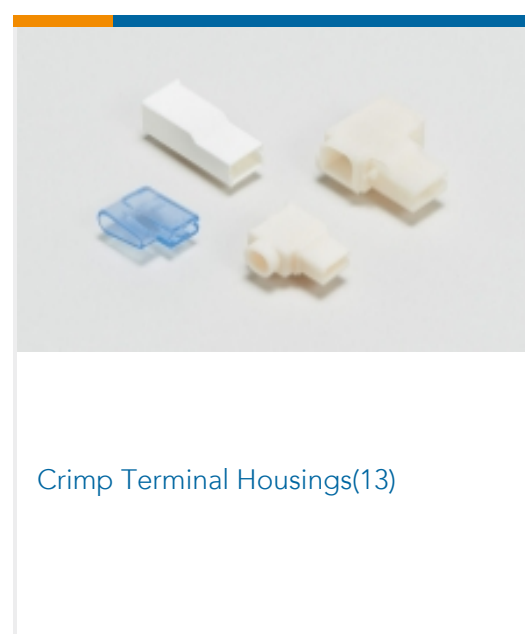
## Product Compliance Disclaimer

This information is provided based on reasonable inquiry of our suppliers and represents our current actual knowledge based on the information they provided. This information is subject to change. The part numbers that TE has identified as EU RoHS compliant have a maximum concentration of 0.1% by weight in homogenous materials for lead, hexavalent chromium, mercury, PBB, PBDE, DBP, BBP, DEHP, DIBP, and 0.01% for cadmium, or qualify for an exemption to these limits as defined in the Annexes of Directive 2011/65/EU (RoHS2). Finished electrical and electronic equipment products will be CE marked as required by Directive 2011/65/EU. Components may not be CE marked. Additionally, the part numbers that TE has identified as EU ELV compliant have a maximum concentration of 0.1% by weight in homogenous materials for lead, hexavalent chromium, and mercury, and 0.01% for cadmium, or qualify for an exemption to these limits as defined in the Annexes of Directive 2000/53/EC (ELV). Regarding the REACH Regulation, the information TE provides on SVHC in articles for this part number is based on the latest European Chemicals Agency (ECHA) 'Guidance on requirements for substances in articles' posted at this URL: <https://echa.europa.eu/guidance-documents/guidance-on-reach>

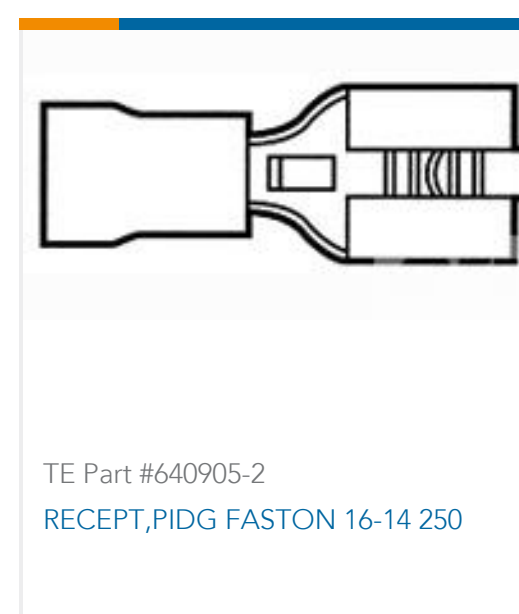
## Compatible Parts



## Also in the Series | FASTON 110



## Customers Also Bought





TE Part #1-963449-2  
JPT GEH KOMPL 29P



TE Part #2-36153-2  
PIDG R 22-16 COMM 22-18 MIL 10



TE Part #1473793-1  
025 IDC 8POS CAP ASSY W TO W



TE Part #327962  
PIDG RECT 22-16COMM 22-18MIL 4



TE Part #640907-2  
RECEPT,PIDG FASTON 12-10 250



TE Part #2151032-2  
OCEAN\_2.0\_APPLICATOR-S-205D

## Documents

### Product Drawings

[RECEPT,PIDG FASTON 16-14 110](#)

English

### CAD Files

[3D PDF](#)

English

**Customer View Model**

[ENG\\_CVM\\_640929-2\\_G.2d\\_dxf.zip](#)

English

**Customer View Model**

[ENG\\_CVM\\_640929-2\\_G.3d\\_igs.zip](#)

English

**Customer View Model**

[ENG\\_CVM\\_640929-2\\_G.3d\\_stp.zip](#)

English

[3D PDF](#)

3D

**Customer View Model**

[ENG\\_CVM\\_CVM\\_640929-2\\_F.2d\\_dxf.zip](#)

English

**Customer View Model**

[ENG\\_CVM\\_CVM\\_640929-2\\_F.3d\\_igs.zip](#)

English

**Customer View Model**

[ENG\\_CVM\\_CVM\\_640929-2\\_F.3d\\_stp.zip](#)

English



By downloading the CAD file I accept and agree to the [Terms and Conditions](#) of use.

---

## Datasheets & Catalog Pages

### PIDG\_FASTON

English

### Ultra-Fast and Ultra Fast Plus

English

---

## Product Specifications

### Application Specification

English

---

## Product Environmental Compliance

### Product Compliance

English

### Product Compliance

English

---

## Agency Approvals

### UL Report

English