

640929-1 ✓ ACTIVE



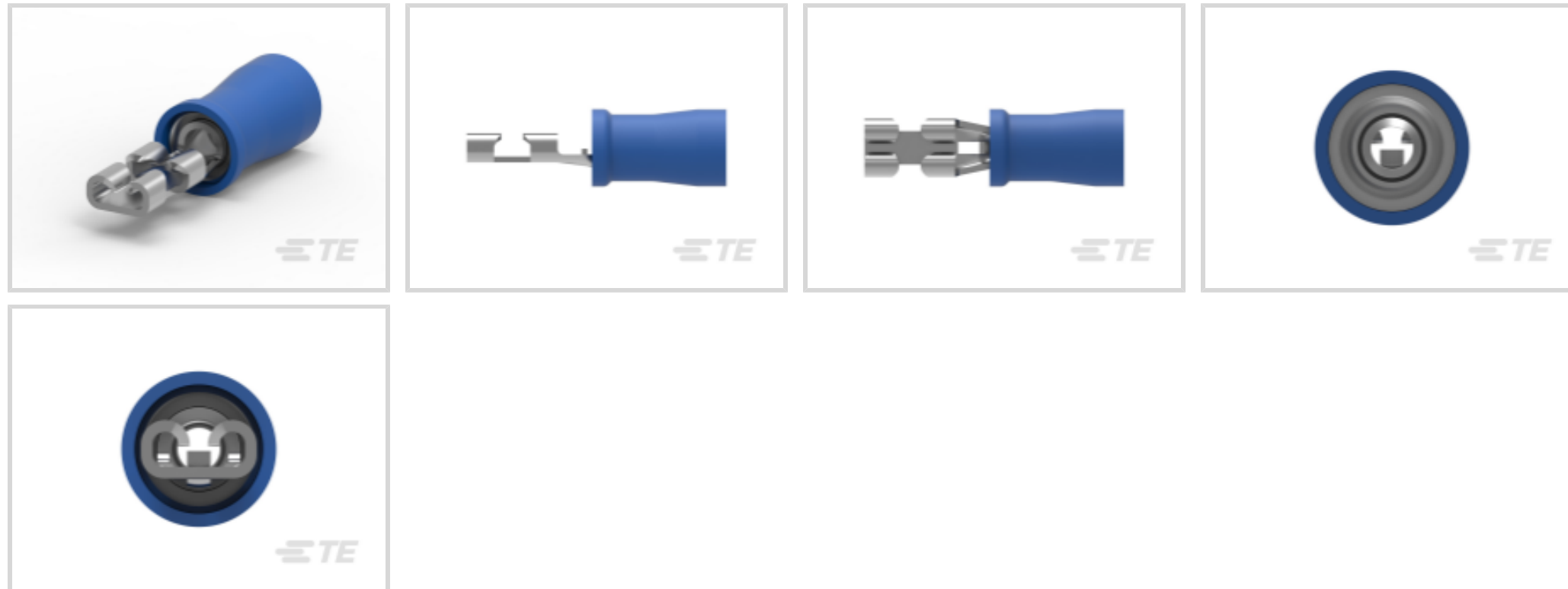
PIDG

TE Internal #: 640929-1

Quick Disconnects, Receptacle, 16 – 14 AWG Wire Size, 1.04 – 2.62 mm² Wire Size, 2050 – 5180 CMA Wire Size, Mating Tab Width 2.79 mm [.11 in], PIDG

[View on TE.com >](#)

Terminals & Splices > Quick Disconnects > PIDG LOW INSERTION FORCE FASTON RECPT



Quick Disconnect Terminal Type: **Receptacle**

Wire Size: **2050 – 5180 CMA**

Mating Tab Width: **2.79 mm [.11 in]**

[All PIDG LOW INSERTION FORCE FASTON RECPT \(6\)](#)

Features

Product Type Features

Terminal Features	Wire Stop
Insertion Force	Low

Electrical Characteristics

Voltage Rating	300 V
----------------	-------

Body Features

Insulation Material	Nylon
---------------------	-------

Contact Features

Quick Disconnect Terminal Type	Receptacle
Mating Tab Width	2.79 mm [.11 in]
Mating Tab Thickness	.51 mm [.02 in]
Terminal Orientation	Straight
Contact Base Material	Brass
Terminal Plating Material	Pre-Tin
Crimp Type	Compression



Barrel Type	Closed
-------------	--------

Termination Features

Product Terminates To	Wire & Cable
-----------------------	--------------

Mechanical Attachment

Wire Insulation Support	With
-------------------------	------

Dimensions

Terminal Material Thickness	.41 mm[.016 in]
-----------------------------	-----------------

Product Length	20.36 mm[.8 in]
----------------	-----------------

Compatible Insulation Diameter Range	4.32 mm[.17 in]
--------------------------------------	-----------------

Wire Size	2050 – 5180 CMA
-----------	-----------------

Usage Conditions

Insulation Option	Partially Insulated
-------------------	---------------------

Operating Temperature Range	105 °C[221 °F]
-----------------------------	----------------

Industry Standards

Agency/Standard	CSA, RU (UL Component Program)
-----------------	--------------------------------

Packaging Features

Packaging Quantity	1000
--------------------	------

Packaging Method	Loose Piece
------------------	-------------

Other

Barrel Color	Blue
--------------	------

Product Compliance

[For compliance documentation, visit the product page on TE.com>](#)

EU RoHS Directive 2011/65/EU	Compliant
------------------------------	-----------

EU ELV Directive 2000/53/EC	Compliant
-----------------------------	-----------

China RoHS 2 Directive MIIT Order No 32, 2016	No Restricted Materials Above Threshold
---	---

EU REACH Regulation (EC) No. 1907/2006	Current ECHA Candidate List: JUNE 2023 (235) Candidate List Declared Against: JUNE 2023 (235) Does not contain REACH SVHC
--	---

Halogen Content	Low Halogen - Br, Cl, F, I < 900 ppm per homogenous material. Also BFR/CFR/PVC Free
-----------------	---



Solder Process Capability

Not applicable for solder process capability

Product Compliance Disclaimer

This information is provided based on reasonable inquiry of our suppliers and represents our current actual knowledge based on the information they provided. This information is subject to change. The part numbers that TE has identified as EU RoHS compliant have a maximum concentration of 0.1% by weight in homogenous materials for lead, hexavalent chromium, mercury, PBB, PBDE, DBP, BBP, DEHP, DIBP, and 0.01% for cadmium, or qualify for an exemption to these limits as defined in the Annexes of Directive 2011/65/EU (RoHS2). Finished electrical and electronic equipment products will be CE marked as required by Directive 2011/65/EU. Components may not be CE marked. Additionally, the part numbers that TE has identified as EU ELV compliant have a maximum concentration of 0.1% by weight in homogenous materials for lead, hexavalent chromium, and mercury, and 0.01% for cadmium, or qualify for an exemption to these limits as defined in the Annexes of Directive 2000/53/EC (ELV). Regarding the REACH Regulation, the information TE provides on SVHC in articles for this part number is based on the latest European Chemicals Agency (ECHA) 'Guidance on requirements for substances in articles' posted at this URL: <https://echa.europa.eu/guidance-documents/guidance-on-reach>

Compatible Parts



TE Part # 59824-1
TETRA-CRIMP PIDG PG FASTON 22-10 ASSY



TE Part # 8-640929-1
RECEPT,PIDG FASTON 16-14 110



TE Part # 58433-3
PRO CR ASSY, RBY IS9252




TE Part # 1SET191001R0000
CRIMP-HT

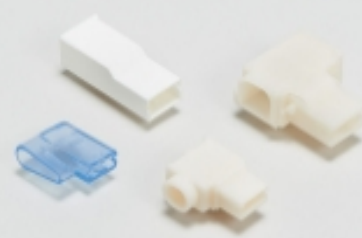


TE Part # 1SET191002R0000
TET CRIMP-HT

Also in the Series | PIDG




Compression Connectors(17)



Crimp Terminal Housings(1)



Crimp Wire Pins, Tabs & Ferrules(41)



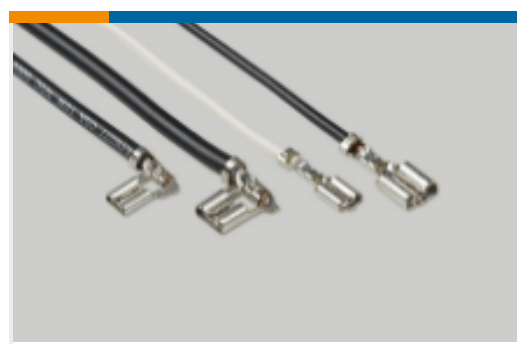
Hand Crimping Tools(2)



Knife Disconnects(11)



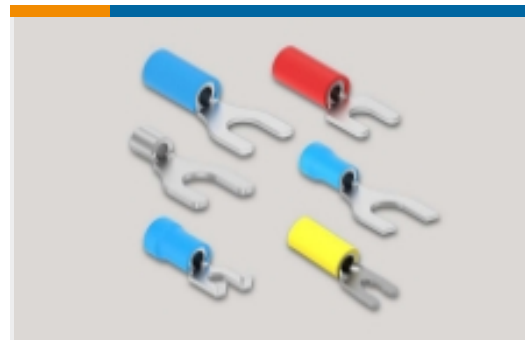
PCB Terminals(7)



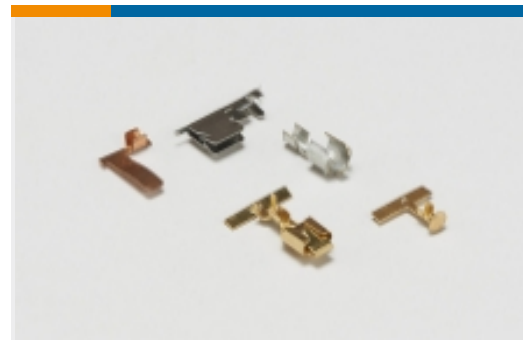
Quick Disconnects(49)



Ring Terminals(607)



Spade Terminals(231)



Special Purpose Terminals(1)

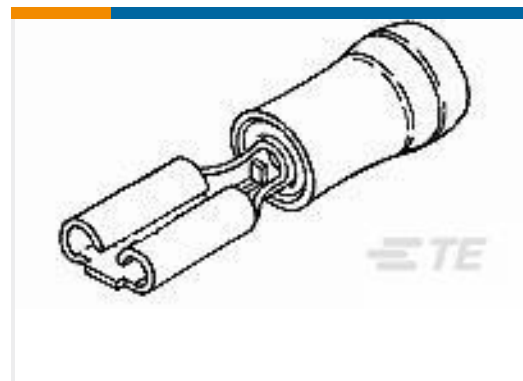


Splices(45)

Customers Also Bought



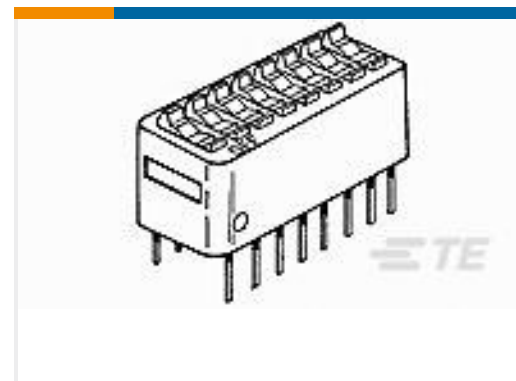
TE Part #2-320861-1
PIDG Flanged Spade Tongue Terminals



TE Part #60894-1
RECEPT, PIDG FASTON 22-18 110



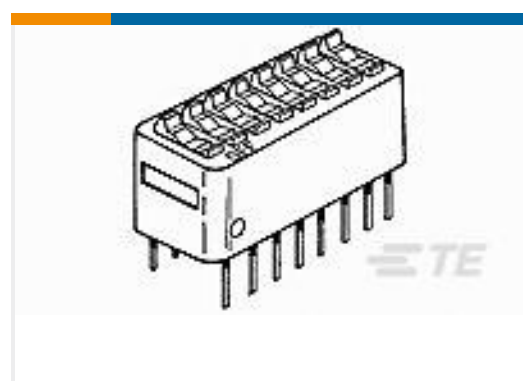
TE Part #322454
TERMINAL, SOLIS R 12-10 8



TE Part #5435640-5
DIP SW 8 POSN AU



TE Part #5557785-1
MJ, 8 POS, R/A, LPF



TE Part #5435640-2
DIP SW 4 POSN AU



TE Part #9-1423364-6
W57-XB1A7A10-5=CKTBKR, THERM, PB, SCW/QC



TE Part #34125
TERMINAL, SOLIS R 16-14 5/16



TE Part #5053144386
RNF-100-3/8-BK-SP

Documents



Product Drawings

RECEPT,PIDG FASTON 16-14 110

English

CAD Files

3D PDF

English

Customer View Model

[ENG_CVM_640929-1_G.2d_dxf.zip](#)

English

Customer View Model

[ENG_CVM_640929-1_G.3d_igs.zip](#)

English

Customer View Model

[ENG_CVM_640929-1_G.3d_stp.zip](#)

English

3D PDF

3D

Customer View Model

[ENG_CVM_CVM_640929-1_F.2d_dxf.zip](#)

English

Customer View Model

[ENG_CVM_CVM_640929-1_F.3d_igs.zip](#)

English

Customer View Model

[ENG_CVM_CVM_640929-1_F.3d_stp.zip](#)

English

By downloading the CAD file I accept and agree to the [Terms and Conditions](#) of use.

Datasheets & Catalog Pages

PIDG_FASTON

English

Ultra-Fast and Ultra Fast Plus

English

PIDG TERMINALS & SPLICES Quick Reference Guide

English

Product Specifications

Application Specification

English

Product Environmental Compliance

[MD_640929-1_021920182252_dmtec](#)

English

[MD_640929-1_021920182252_dmtec](#)

English



[Agency Approvals](#)

[UL Report](#)

English