



Terminals &amp; Splices &gt; Quick Disconnects

Quick Disconnect Terminal Type: **Receptacle**Wire Size: **509 – 1900 CMA**Mating Tab Width: **4.75 mm [ .187 in ]**

## Features

### Product Type Features

Terminal Features	Wire Stop
Insertion Force	Normal

### Electrical Characteristics

Voltage Rating	300 V
----------------	-------

### Body Features

Insulation Material	Nylon
---------------------	-------

### Contact Features

Quick Disconnect Terminal Type	Receptacle
Mating Tab Width	4.75 mm [.187 in]
Mating Tab Thickness	.51 mm [.02 in]
Terminal Orientation	Straight
Contact Base Material	Brass
Terminal Plating Material	Tin
Crimp Type	Compression
Barrel Type	Closed

### Termination Features

Product Terminates To	Wire & Cable
-----------------------	--------------

### Mechanical Attachment

Wire Insulation Support	With
Mating Retention Type	Dimple



### Dimensions

Terminal Material Thickness	.41 mm[.016 in]
Product Length	20.36 mm[.8 in]
Compatible Insulation Diameter Range	3.43 mm[.135 in]
Wire Size	509 – 1900 CMA

### Usage Conditions

Insulation Option	Partially Insulated
Operating Temperature Range	105 °C[221 °F]

### Industry Standards

Agency/Standard	CSA, RU (UL Component Program)
-----------------	--------------------------------

### Packaging Features

Packaging Quantity	4000
Packaging Method	Reel

### Other

Barrel Color	Red
--------------	-----

## Product Compliance

[For compliance documentation, visit the product page on TE.com>](#)

EU RoHS Directive 2011/65/EU	Compliant
EU ELV Directive 2000/53/EC	Compliant
China RoHS 2 Directive MIIT Order No 32, 2016	No Restricted Materials Above Threshold
EU REACH Regulation (EC) No. 1907/2006	Current ECHA Candidate List: JUNE 2023 (235) Candidate List Declared Against: JUNE 2023 (235) Does not contain REACH SVHC
Halogen Content	Low Halogen - Br, Cl, F, I < 900 ppm per homogenous material. Also BFR/CFR/PVC Free
Solder Process Capability	Not applicable for solder process capability

#### Product Compliance Disclaimer

This information is provided based on reasonable inquiry of our suppliers and represents our current actual knowledge based on the information they provided. This information is subject to change. The part numbers that TE has identified as EU RoHS compliant have a maximum concentration of 0.1% by weight in homogenous materials for lead, hexavalent chromium, mercury, PBB, PBDE, DBP, BBP, DEHP, DIBP, and 0.01% for cadmium, or qualify for an exemption to these limits as defined in the Annexes of Directive 2011/65/EU (RoHS2). Finished electrical and electronic equipment products



will be CE marked as required by Directive 2011/65/EU. Components may not be CE marked. Additionally, the part numbers that TE has identified as EU ELV compliant have a maximum concentration of 0.1% by weight in homogenous materials for lead, hexavalent chromium, and mercury, and 0.01% for cadmium, or qualify for an exemption to these limits as defined in the Annexes of Directive 2000/53/EC (ELV). Regarding the REACH Regulation, the information TE provides on SVHC in articles for this part number is based on the latest European Chemicals Agency (ECHA) 'Guidance on requirements for substances in articles' posted at this URL: <https://echa.europa.eu/guidance-documents/guidance-on-reach>

## Compatible Parts



TE Part # 567200-3  
APPL,HDM,TAPE 9CB W/O DIES G

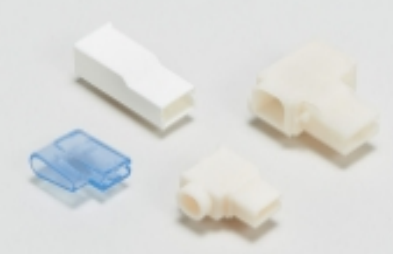


TE Part # 567200-2  
APPL,HDM,TAPE 9 CB W/O DIES K




TE Part # 687658-1  
APPL,HDM,TAPE 9 CB W/O DIES T


## Also in the Series | FASTON 187




Crimp Terminal Housings(42)



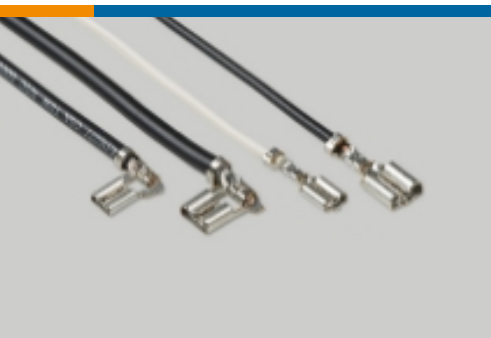
Insertion & Extraction Tools(1)



Joints & Splices(1)



PCB Terminals(42)

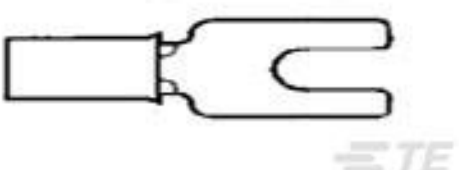


Quick Disconnects(209)



Splices(1)

## Customers Also Bought



TE Part #41473  
SPADE TERMINAL 18-14 AWG TPBR



TE Part #2-34156-1  
PG SPD 22-16 COMM 22-18 MIL 10



TE Part #YDTS20F23-53PNV001  
RECP ASSY



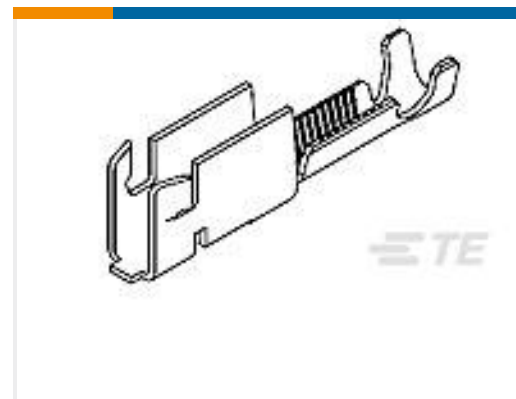
TE Part #YDTS26W17-35PCV001  
PLUG ASSY



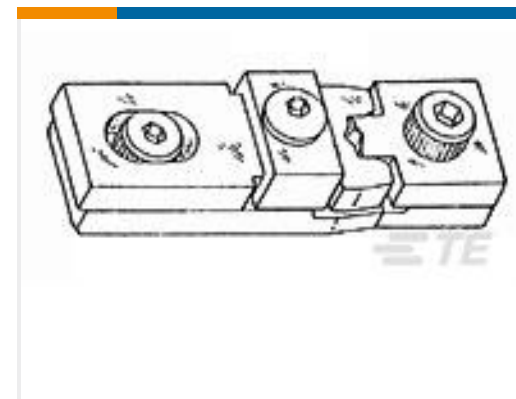
TE Part #2-1532180-0  
M83513/03-B04C, MCKS-C2-B-15P6G9-36.0



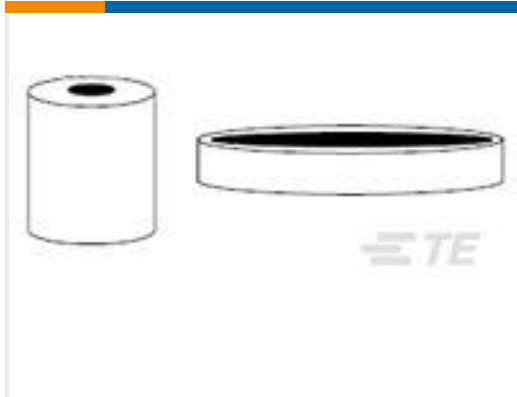
TE Part #3-644465-8  
08P MTA156 CONN ASSY 18AWG ORA



TE Part #1742657-1  
CLUSTER BLOCK RECP 22-18 020TP



TE Part #59827-1  
TETRA-CRIMP DIE 16-14



TE Part #769576-000  
URHR-1



TE Part #520194K050  
RT-3-NO.3-0-0.5IN

## Documents

### Product Drawings

[RECEPT,PIDG FASTON 22-18 187](#)

English

### CAD Files

[3D PDF](#)

English

**Customer View Model**

[ENG\\_CVM\\_640917-2\\_L1.2d\\_dxf.zip](#)

English

**Customer View Model**

[ENG\\_CVM\\_640917-2\\_L1.3d\\_igs.zip](#)

English

**Customer View Model**

[ENG\\_CVM\\_640917-2\\_L1.3d\\_stp.zip](#)

English

[3D PDF](#)

3D

**Customer View Model**

[ENG\\_CVM\\_CVM\\_640917-2\\_K.2d\\_dxf.zip](#)

English

**Customer View Model**

[ENG\\_CVM\\_CVM\\_640917-2\\_K.3d\\_igs.zip](#)

English

**Customer View Model**

[ENG\\_CVM\\_CVM\\_640917-2\\_K.3d\\_stp.zip](#)

English



By downloading the CAD file I accept and agree to the [Terms and Conditions](#) of use.

## Datasheets & Catalog Pages

[PIDG\\_FASTON](#)

English

[Ultra-Fast and Ultra Fast Plus](#)

English

## Product Specifications

[Application Specification](#)

English

## Product Environmental Compliance

[MD\\_640917-2\\_05042018653\\_dmtec](#)

English

[MD\\_640917-2\\_05042018653\\_dmtec](#)

English

## Agency Approvals

[UL Report](#)

English