



Appliance Connectors

TE Internal #: 640750-1

Special Purpose Terminals, Unplated Plating, Reel, -40 – 356 °F [-40 – 200 °C], Appliance Connectors

[View on TE.com >](#)

Terminals & Splices > Special Purpose Terminals



Terminal Material Thickness: .51 mm [.02 in]

Terminal Plating Material: **Unplated**

Packaging Method: **Reel**

Wire Insulation Support: **Without**

Sealable: **No**

Features

Product Type Features

Terminal Features	Heavy Duty
Sealable	No

Contact Features

Terminal Plating Material	Unplated
---------------------------	----------

Mechanical Attachment

Wire Insulation Support	Without
-------------------------	---------

Dimensions

Terminal Material Thickness	.51 mm [.02 in]
-----------------------------	-----------------

Usage Conditions

Insulation Option	Uninsulated
Operating Temperature Range	-40 – 200 °C [-40 – 356 °F]

Packaging Features

Packaging Quantity	1000
Packaging Method	Reel

Product Compliance

For compliance documentation, visit the product page on [TE.com](#)>

EU RoHS Directive 2011/65/EU	Compliant
EU ELV Directive 2000/53/EC	Compliant
China RoHS 2 Directive MIIT Order No 32, 2016	No Restricted Materials Above Threshold
EU REACH Regulation (EC) No. 1907/2006	Current ECHA Candidate List: JUNE 2023 (235) Candidate List Declared Against: JUNE 2023 (235) Does not contain REACH SVHC
Halogen Content	Low Halogen - Br, Cl, F, I < 900 ppm per homogenous material. Also BFR/CFR/PVC Free
Solder Process Capability	Not applicable for solder process capability

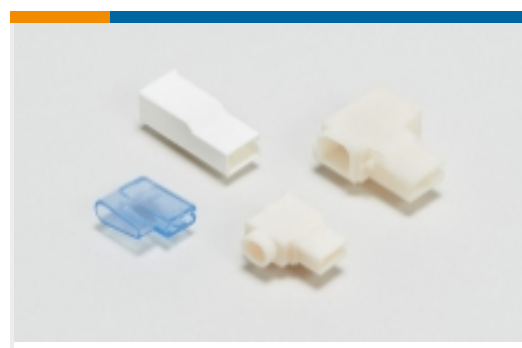
Product Compliance Disclaimer

This information is provided based on reasonable inquiry of our suppliers and represents our current actual knowledge based on the information they provided. This information is subject to change. The part numbers that TE has identified as EU RoHS compliant have a maximum concentration of 0.1% by weight in homogenous materials for lead, hexavalent chromium, mercury, PBB, PBDE, DBP, BBP, DEHP, DIBP, and 0.01% for cadmium, or qualify for an exemption to these limits as defined in the Annexes of Directive 2011/65/EU (RoHS2). Finished electrical and electronic equipment products will be CE marked as required by Directive 2011/65/EU. Components may not be CE marked. Additionally, the part numbers that TE has identified as EU ELV compliant have a maximum concentration of 0.1% by weight in homogenous materials for lead, hexavalent chromium, and mercury, and 0.01% for cadmium, or qualify for an exemption to these limits as defined in the Annexes of Directive 2000/53/EC (ELV). Regarding the REACH Regulation, the information TE provides on SVHC in articles for this part number is based on the latest European Chemicals Agency (ECHA) 'Guidance on requirements for substances in articles' posted at this URL: <https://echa.europa.eu/guidance-documents/guidance-on-reach>

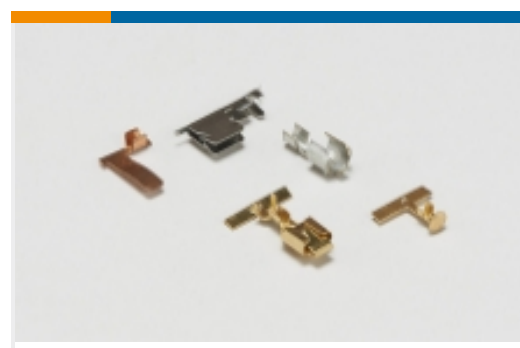
Compatible Parts



Also in the Series | [Appliance Connectors](#)

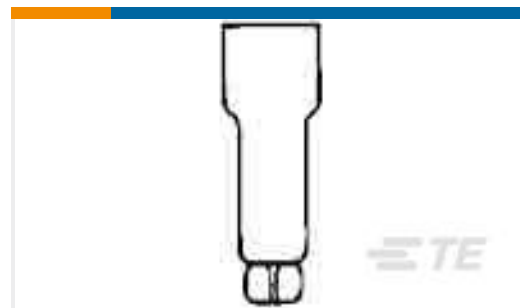
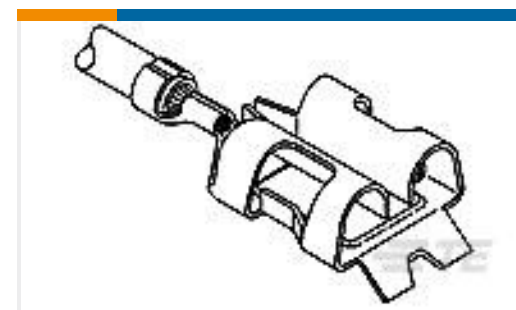


Crimp Terminal Housings(1)



Special Purpose Terminals(10)

Customers Also Bought

TE Part #1-1971772-4
PTL 1X4 CAP PANEL MT STD TEMP
KEY A NATTE Part #329251
SPLICE, CE, 22-12TE Part #2132781-6
06P EP-II HOUSING, NATURALTE Part #60196-2
187 FASTON REC 20-16 AWG TPBRTE Part #63482-1
RING 18-14 AWG TPSTLTE Part #1744144-1
EP-II CONTACT LANCELESS, 22-18TE Part #42722-1
RING TONGUE 12-10 AWG BRTE Part #640748-7
HEAVY DUTY BURNER REC 18-14
AWG PHBRZTE Part #1376476-1
2.5 SIGNAL MATE REC CONTACTTE Part #62011-1
250 FASTON FLAG REC 12-10 AWG
BR

Documents

Product Drawings

[HEAVY DUTY BURNER CLIP ST](#)

English

CAD Files

[3D PDF](#)

3D

[Customer View Model](#)

[ENG_CVM_CVM_640750-1_AP.2d_dxf.zip](#)



English

Customer View Model

[ENG_CVM_CVM_640750-1_AP.3d_igs.zip](#)

English

Customer View Model

[ENG_CVM_CVM_640750-1_AP.3d_stp.zip](#)

English

By downloading the CAD file I accept and agree to the [Terms and Conditions](#) of use.

Product Specifications

Application Specification

English

Product Environmental Compliance

[MD_640750-1_09122017927_dmtec](#)

English

[MD_640750-1_09122017927_dmtec](#)

English

Agency Approvals

UL Report

English