



Appliance Connectors

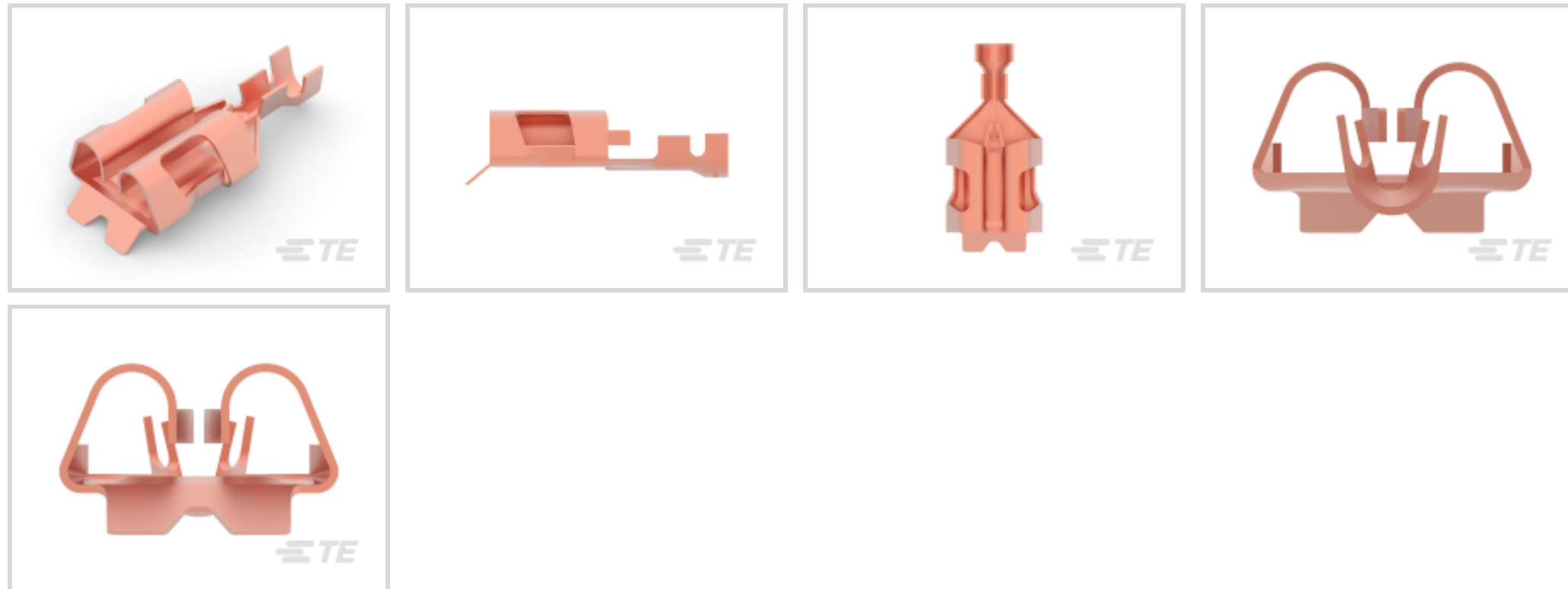
TE Internal #: 640748-7

Special Purpose Terminals, Receptacle, 18 – 14 AWG Wire Size, .8 – 2 mm² Wire Size, Unplated Plating, Length 1.03 in [26.16 mm],

Appliance Connectors

[View on TE.com >](#)

Terminals & Splices > Special Purpose Terminals



Special Purpose Terminal Type: **Receptacle**

Wire Size: **.8 – 2 mm²**

Terminal Material Thickness: **.4 mm [.015 in]**

Terminal Plating Material: **Unplated**

Features

Product Type Features

Terminal Features	Heavy Duty
Wire Insulation Support Retention Type	Insulation Support
Sealable	No

Configuration Features

Compatible With Wire & Cable Type	Discrete Wire
-----------------------------------	---------------

Contact Features

Barrel Type	Open
Special Purpose Terminal Type	Receptacle
Terminal Plating Material	Unplated
Terminal Orientation	Straight

Mechanical Attachment

Wire Insulation Support	With
-------------------------	------

Dimensions

Wire Size	.8 – 2 mm ²
-----------	------------------------



Terminal Material Thickness	.4 mm[.015 in]
-----------------------------	----------------

Product Length	26.16 mm[1.03 in]
----------------	-------------------

Compatible Insulation Diameter (Max)	3.91 mm[.156 in]
--------------------------------------	------------------

Compatible Insulation Diameter Range	3.91 mm[.156 in]
--------------------------------------	------------------

Usage Conditions

Insulation Option	Uninsulated
-------------------	-------------

Operating Temperature Range	-40 – 200 °C[-40 – 392 °F]
-----------------------------	----------------------------

Packaging Features

Packaging Quantity	1500
--------------------	------

Packaging Method	Reel
------------------	------

Product Compliance

[For compliance documentation, visit the product page on TE.com>](#)

EU RoHS Directive 2011/65/EU	Compliant
------------------------------	-----------

EU ELV Directive 2000/53/EC	Compliant
-----------------------------	-----------

China RoHS 2 Directive MIIT Order No 32, 2016	No Restricted Materials Above Threshold
---	---

EU REACH Regulation (EC) No. 1907/2006	Current ECHA Candidate List: JUNE 2023 (235) Candidate List Declared Against: JUNE 2023 (235) Does not contain REACH SVHC
--	---

Halogen Content	Low Halogen - Br, Cl, F, I < 900 ppm per homogenous material. Also BFR/CFR/PVC Free
-----------------	---

Solder Process Capability	Not applicable for solder process capability
---------------------------	--

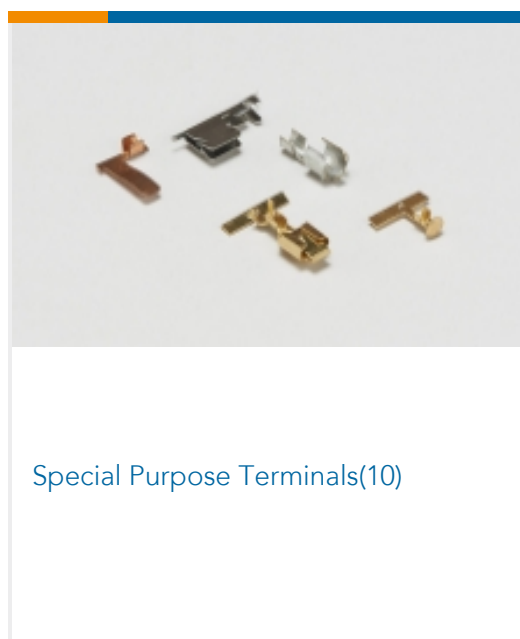
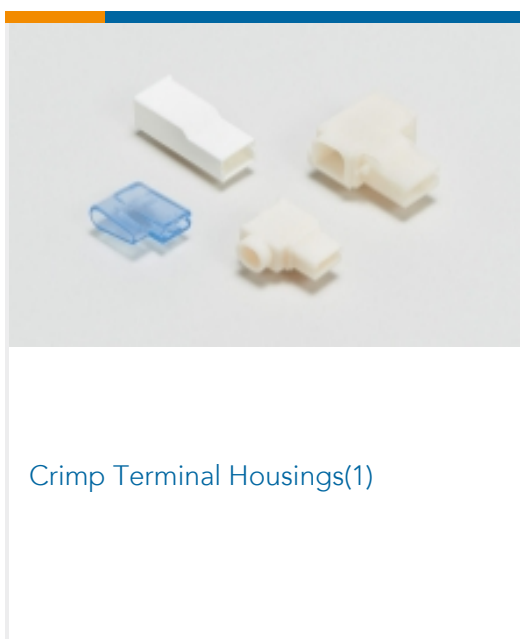
Product Compliance Disclaimer

This information is provided based on reasonable inquiry of our suppliers and represents our current actual knowledge based on the information they provided. This information is subject to change. The part numbers that TE has identified as EU RoHS compliant have a maximum concentration of 0.1% by weight in homogenous materials for lead, hexavalent chromium, mercury, PBB, PBDE, DBP, BBP, DEHP, DIBP, and 0.01% for cadmium, or qualify for an exemption to these limits as defined in the Annexes of Directive 2011/65/EU (RoHS2). Finished electrical and electronic equipment products will be CE marked as required by Directive 2011/65/EU. Components may not be CE marked. Additionally, the part numbers that TE has identified as EU ELV compliant have a maximum concentration of 0.1% by weight in homogenous materials for lead, hexavalent chromium, and mercury, and 0.01% for cadmium, or qualify for an exemption to these limits as defined in the Annexes of Directive 2000/53/EC (ELV). Regarding the REACH Regulation, the information TE provides on SVHC in articles for this part number is based on the latest European Chemicals Agency (ECHA) 'Guidance on requirements for substances in articles' posted at this URL: <https://echa.europa.eu/guidance-documents/guidance-on-reach>

Compatible Parts

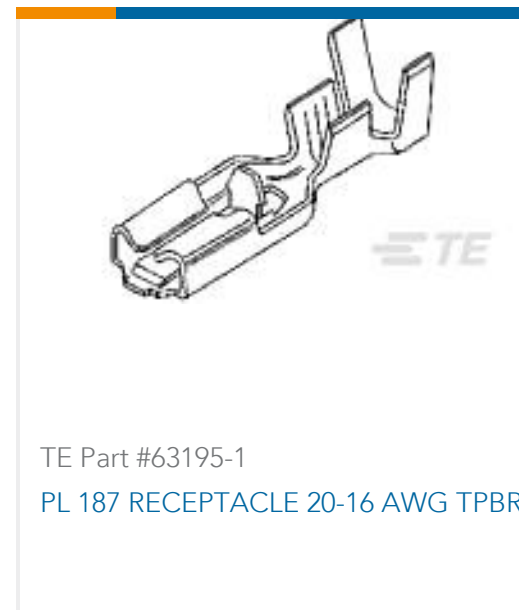
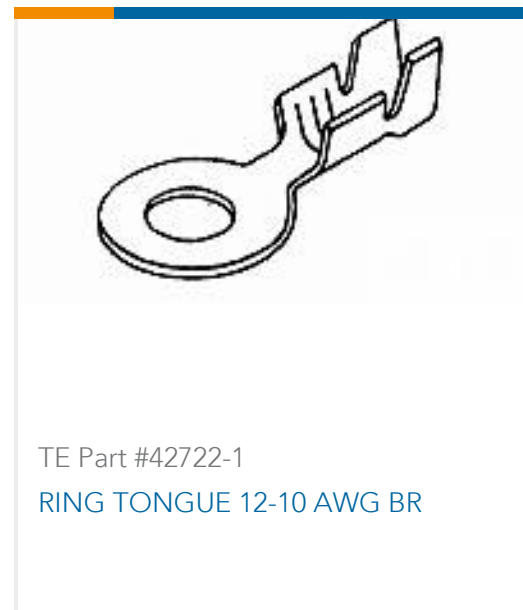


Also in the Series | Appliance Connectors



Customers Also Bought





Documents

Product Drawings

HEAVY DUTY BURNER REC 18-14 AWG PHBRZ

English

CAD Files

Customer View Model

[ENG_CVM_CVM_640748-7_AC.2d_dxf.zip](#)

English

3D PDF

3D

Customer View Model

[ENG_CVM_CVM_640748-7_AC.3d_igs.zip](#)

English

Customer View Model

[ENG_CVM_CVM_640748-7_AC.3d_stp.zip](#)

English

By downloading the CAD file I accept and agree to the [Terms and Conditions](#) of use.

Product Specifications

Application Specification

English

Product Environmental Compliance

[MD_640748-7_06122018531_dmtec](#)

English

[MD_640748-7_06122018531_dmtec](#)

English

640748-7

Special Purpose Terminals, Receptacle, 18 – 14 AWG Wire Size, .8 – 2 mm² Wire Size,
Unplated Plating, Length 1.03 in [26.16 mm], Appliance Connectors

