

640418-1 ✓ ACTIVE

FASTIN-FASTON | FASTIN-FASTON 250

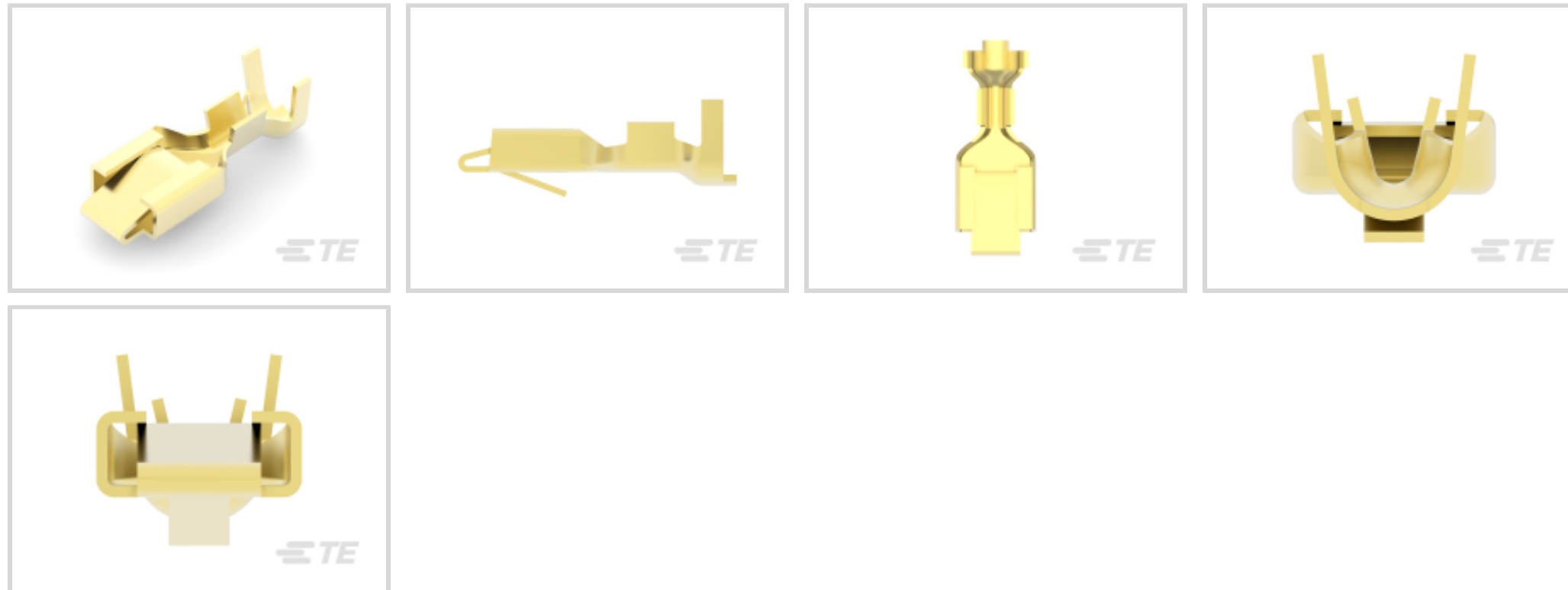
TE Internal #: 640418-1

Quick Disconnects, Receptacle, 18 – 14 AWG Wire Size, .82 – 2.08 mm² Wire Size, Mating Tab Width 6.35 mm [.25 in], Straight, Brass, FASTIN-FASTON 250

[View on TE.com >](#)



Terminals & Splices > Quick Disconnects



Quick Disconnect Terminal Type: **Receptacle**

Wire Size: **.82 – 2.08 mm²**

Mating Tab Width: **6.35 mm [.25 in]**

Terminal Orientation: **Straight**

Features

Product Type Features

Insertion Force	High
-----------------	------

Configuration Features

Connection Capacity	Single
---------------------	--------

Compatible With Wire & Cable Type	Discrete Wire
-----------------------------------	---------------

Contact Features

Quick Disconnect Terminal Type	Receptacle
--------------------------------	------------

Mating Tab Width	6.35 mm [.25 in]
------------------	------------------

Terminal Orientation	Straight
----------------------	----------

Contact Base Material	Brass
-----------------------	-------

Terminal Plating Material	Unplated
---------------------------	----------

Crimp Type	F-Crimp
------------	---------

Barrel Type	Open
-------------	------

Termination Features

Product Terminates To	Wire & Cable
-----------------------	--------------



Mechanical Attachment

Wire Insulation Support	With
Mating Retention Type	Locking Lance

Dimensions

Terminal Material Thickness	.46 mm[.018 in]
Product Length	20.39 mm[.803 in]
Compatible Insulation Diameter Range	3.9 mm[.154 in]
Wire Size	.82 – 2.08 mm ²

Usage Conditions

Insulation Option	Uninsulated
Operating Temperature Range	-40 – 110 °C[-40 – 230 °F]

Packaging Features

Packaging Quantity	2400
Packaging Method	Strip/Reel

Product Compliance

[For compliance documentation, visit the product page on TE.com>](#)

EU RoHS Directive 2011/65/EU	Compliant
EU ELV Directive 2000/53/EC	Compliant
China RoHS 2 Directive MIIT Order No 32, 2016	No Restricted Materials Above Threshold
EU REACH Regulation (EC) No. 1907/2006	Current ECHA Candidate List: JUNE 2023 (235) Candidate List Declared Against: JUNE 2023 (235) Does not contain REACH SVHC
Halogen Content	Low Halogen - Br, Cl, F, I < 900 ppm per homogenous material. Also BFR/CFR/PVC Free
Solder Process Capability	Not applicable for solder process capability

Product Compliance Disclaimer

This information is provided based on reasonable inquiry of our suppliers and represents our current actual knowledge based on the information they provided. This information is subject to change. The part numbers that TE has identified as EU RoHS compliant have a maximum concentration of 0.1% by weight in homogenous materials for lead, hexavalent chromium, mercury, PBB, PBDE, DBP, BBP, DEHP, DIBP, and 0.01% for cadmium, or qualify for an exemption to these limits as defined in the Annexes of Directive 2011/65/EU (RoHS2). Finished electrical and electronic equipment products will be CE marked as required by Directive 2011/65/EU. Components may not be CE marked. Additionally, the part numbers that TE has identified as EU ELV compliant have a maximum concentration of 0.1% by weight in homogenous materials for lead, hexavalent chromium, and mercury, and 0.01% for cadmium, or qualify for an exemption to these limits

as defined in the Annexes of Directive 2000/53/EC (ELV). Regarding the REACH Regulation, the information TE provides on SVHC in articles for this part number is based on the latest European Chemicals Agency (ECHA) 'Guidance on requirements for substances in articles' posted at this URL: <https://echa.europa.eu/guidance-documents/guidance-on-reach>

Compatible Parts

TE Part # 640417-1
BLADE REC 250 18-14AWG BR

TE Part # 2305570-1
Strip Terminal Cutter-Side Feed-No Crimp

TE Part # 2-2266591-1
OCEAN-2.0-APPLICATOR-S-110F220F

TE Part # 2-2266591-2
OCEAN-2.0-APPLICATOR-S-110F220F

TE Part # 2266591-1
OCEAN-2.0-APPLICATOR-S-110F220F

TE Part # 2266591-2
OCEAN-2.0-APPLICATOR-S-110F220F

TE Part # 5-2266591-1
OCEAN-2.0-APPLICATOR-S-110F220F

TE Part # 5-2266591-2
OCEAN-2.0-APPLICATOR-S-110F220FA

TE Part # 7-2266591-1
OCEAN-2.0-APPLICATOR-S-110F220F

TE Part # 7-2266591-2
OCEAN-2.0-APPLICATOR-S-110F220F

TE Part # 7-2266591-7
OCEAN_2.0_SPARE_PART_KIT-110F220F

Also in the Series | FASTIN-FASTON 250

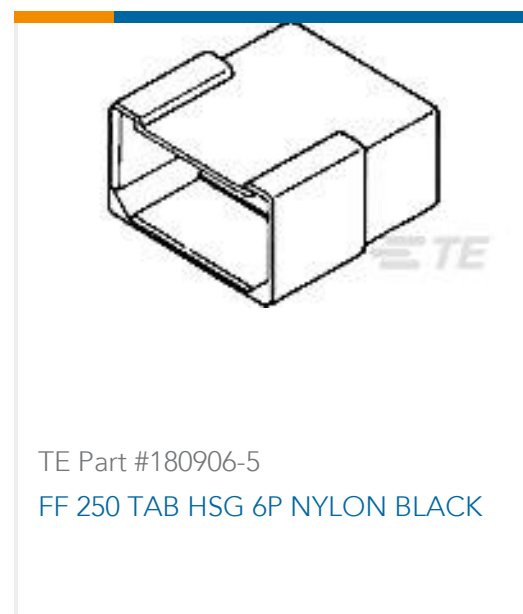
Crimp Terminal Housings(211)

Insertion & Extraction Tools(2)

PCB Terminals(2)

Quick Disconnects(254)

Customers Also Bought



Documents

Product Drawings

[BLADE REC 250 18-14AWG BR](#)

English

CAD Files

[3D PDF](#)

3D

Customer View Model

[ENG_CVM_CVM_640418-1_AF_c-640418-1-af.2d_dxf.zip](#)

English

Customer View Model

[ENG_CVM_CVM_640418-1_AF_c-640418-1-af.3d_igs.zip](#)

English

Customer View Model

[ENG_CVM_CVM_640418-1_AF_c-640418-1-af.3d_stp.zip](#)

English

By downloading the CAD file I accept and agree to the [Terms and Conditions](#) of use.

Datasheets & Catalog Pages

[FASTIN_FASTON_Product_Line](#)

English

Product Specifications

[Application Specification](#)

English

[Special 250 Blade Receptacle Terminal](#)

English

640418-1

Quick Disconnects, Receptacle, 18 – 14 AWG Wire Size, .82 – 2.08 mm² Wire Size,
Mating Tab Width 6.35 mm [.25 in], Straight, Brass, FASTIN-FASTON 250

