

640212-1 ✓ ACTIVE

AMPLIVAR

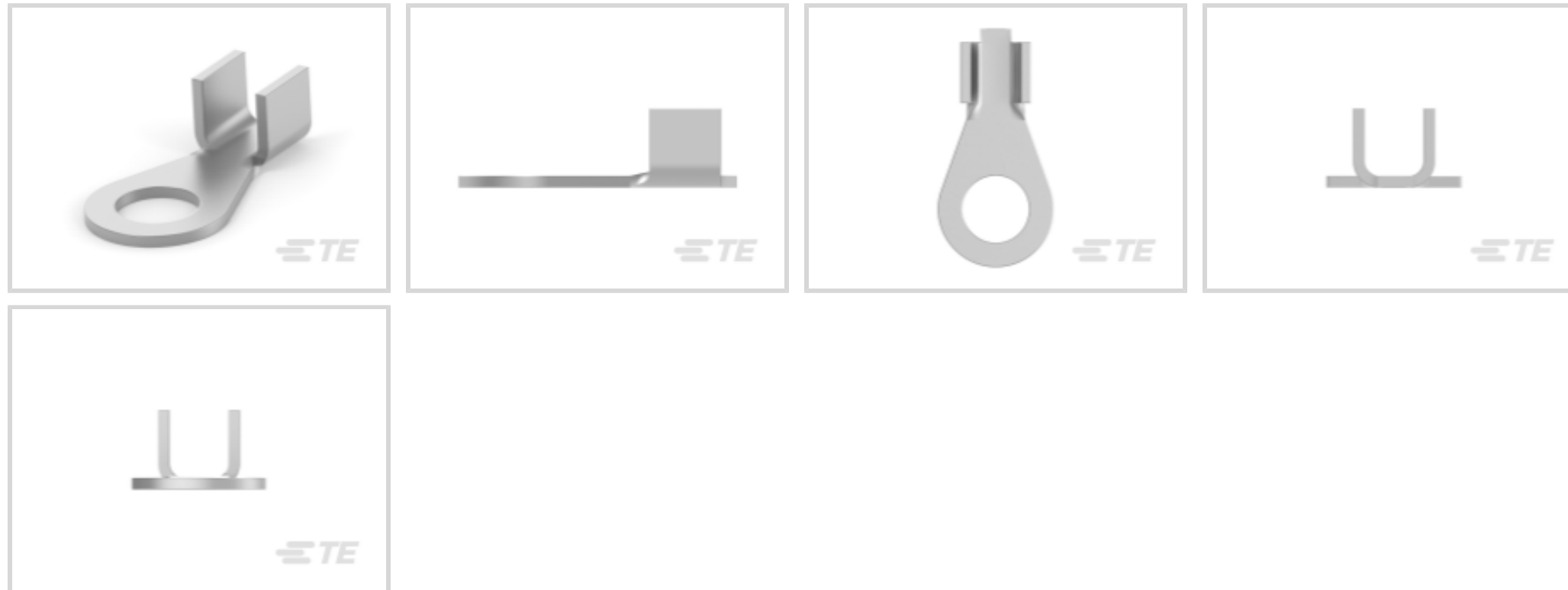
TE Internal #: 640212-1

Closed Ring Tongue Terminal, 13 – 11 AWG, #10 Stud Size, 5 mm [.197 in] Stud Diameter, Open Barrel, Straight, Tin, Uninsulated, AMPLIVAR

[View on TE.com >](#)



Terminals & Splices > Ring Terminals



Ring Terminal Product Type: Closed Ring Tongue Terminal

Wire Size: 5184 – 8227 CMA

Stud Size: #10

Features

Product Type Features

Terminal Features	Sheared
Shape Description	RING-112
Ring Terminal Product Type	Closed Ring Tongue Terminal
Stud Size	#10
Sealable	No
Compatible With Discrete Wire Type	Magnet Wire
Wire Insulation Support Retention Type	Non-Insulation Support

Configuration Features

Number of Holes	1
-----------------	---

Body Features

Product Weight	.651 g
----------------	--------

Contact Features

Barrel Type	Open
Terminal Orientation	Straight
Terminal Plating Material	Tin



Contact Underplating Material	Brass
-------------------------------	-------

Mechanical Attachment

Wire Insulation Support	Without
-------------------------	---------

Dimensions

Wire Size	5184 – 8227 CMA
-----------	-----------------

Stud Diameter	5 mm [.197 in]
---------------	----------------

Tongue Thickness	.64 mm [.025 in]
------------------	------------------

Product Length	22.94 mm [.903 in]
----------------	--------------------

Barrel Inside Diameter	3.76 mm [.148 in]
------------------------	-------------------

Usage Conditions

Insulation Option	Uninsulated
-------------------	-------------

Operating Temperature Range	-40 – 105 °C [-40 – 221 °F]
-----------------------------	-----------------------------

Operation/Application

Compatible With Wire Base Material	Aluminum, Copper
------------------------------------	------------------

Industry Standards

Government Qualified Terminal	No
-------------------------------	----

Packaging Features

Packaging Quantity	10000
--------------------	-------

Packaging Method	Strip
------------------	-------

Product Compliance

[For compliance documentation, visit the product page on TE.com>](#)

EU RoHS Directive 2011/65/EU	Compliant
------------------------------	-----------

EU ELV Directive 2000/53/EC	Compliant
-----------------------------	-----------

China RoHS 2 Directive MIIT Order No 32, 2016	No Restricted Materials Above Threshold
---	---

EU REACH Regulation (EC) No. 1907/2006	Current ECHA Candidate List: JUNE 2023 (235) Candidate List Declared Against: JUNE 2023 (235) Does not contain REACH SVHC
--	---

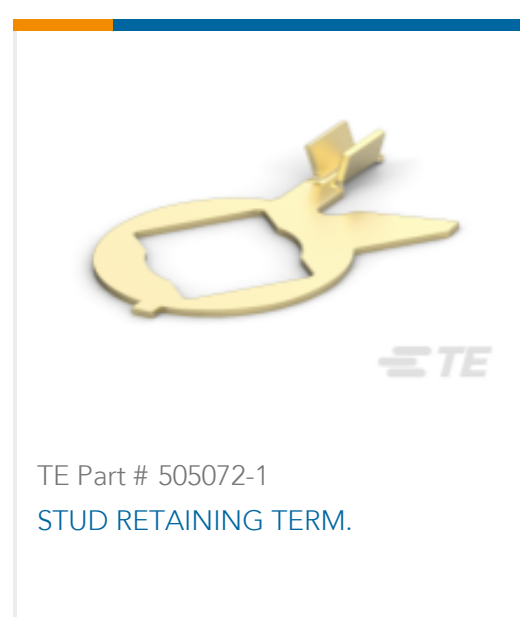
Halogen Content	Low Halogen - Br, Cl, F, I < 900 ppm per homogenous material. Also BFR/CFR/PVC Free
-----------------	---

Solder Process Capability	Not applicable for solder process capability
---------------------------	--

Product Compliance Disclaimer

This information is provided based on reasonable inquiry of our suppliers and represents our current actual knowledge based on the information they provided. This information is subject to change. The part numbers that TE has identified as EU RoHS compliant have a maximum concentration of 0.1% by weight in homogenous materials for lead, hexavalent chromium, mercury, PBB, PBDE, DBP, BBP, DEHP, DIBP, and 0.01% for cadmium, or qualify for an exemption to these limits as defined in the Annexes of Directive 2011/65/EU (RoHS2). Finished electrical and electronic equipment products will be CE marked as required by Directive 2011/65/EU. Components may not be CE marked. Additionally, the part numbers that TE has identified as EU ELV compliant have a maximum concentration of 0.1% by weight in homogenous materials for lead, hexavalent chromium, and mercury, and 0.01% for cadmium, or qualify for an exemption to these limits as defined in the Annexes of Directive 2000/53/EC (ELV). Regarding the REACH Regulation, the information TE provides on SVHC in articles for this part number is based on the latest European Chemicals Agency (ECHA) 'Guidance on requirements for substances in articles' posted at this URL: <https://echa.europa.eu/guidance-documents/guidance-on-reach>

Compatible Parts



Also in the Series | **AMPLIVAR**



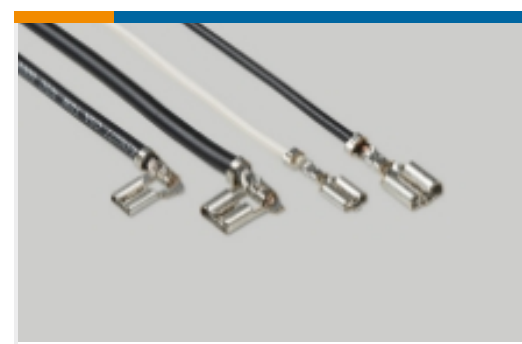
Crimp Wire Pins, Tabs & Ferrules(5)



Magnet Wire Terminals(4)



PCB Terminals(1)



Quick Disconnects(41)



Ring Terminals(28)



Splices(77)

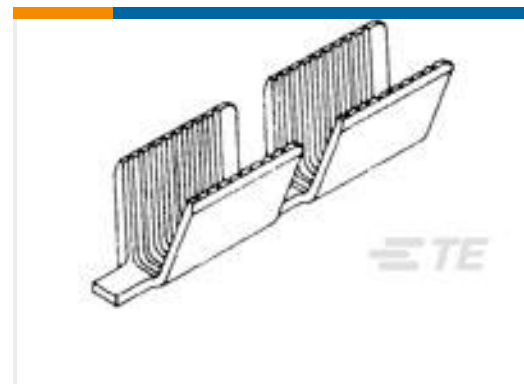
Customers Also Bought



TE Part #1-6609101-2
CORCOM P SERIES MULTI-FUNCTION INLET FIL



TE Part #63864-1
RING AMVAR IS 2(13) 025TPBR



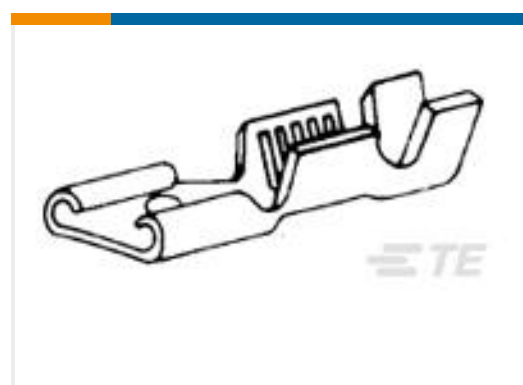
TE Part #62306-2
AMVAR SPLC 1500-5000 020TPBR



TE Part #9-1393113-3
KUPE-3AA5-120=KU



TE Part #50719
TERMINAL,COPALUM 6 10



TE Part #60385-2
.250 FAST REC IS 18-2/17 TPBR



TE Part #6-146128-3
15 MODII HDR SR SFMNT B/A .100



TE Part #60318-1
AMPLIVAR RG 18-14 10 BR

Documents

Product Drawings

[AMVAR R 13-11 #10 025TPBR](#)

English

CAD Files

[3D PDF](#)

[3D](#)

[Customer View Model](#)

[ENG_CVM_CVM_640212-1_B.2d_dxf.zip](#)



English

Customer View Model

[ENG_CVM_CVM_640212-1_B.3d_igs.zip](#)

English

Customer View Model

[ENG_CVM_CVM_640212-1_B.3d_stp.zip](#)

English

By downloading the CAD file I accept and agree to the [Terms and Conditions](#) of use.

Product Specifications

[Application Specification](#)

English

Product Environmental Compliance

[Product Compliance](#)

English

[Product Compliance](#)

English