



AMP-IN

TE Internal #: 640024-1

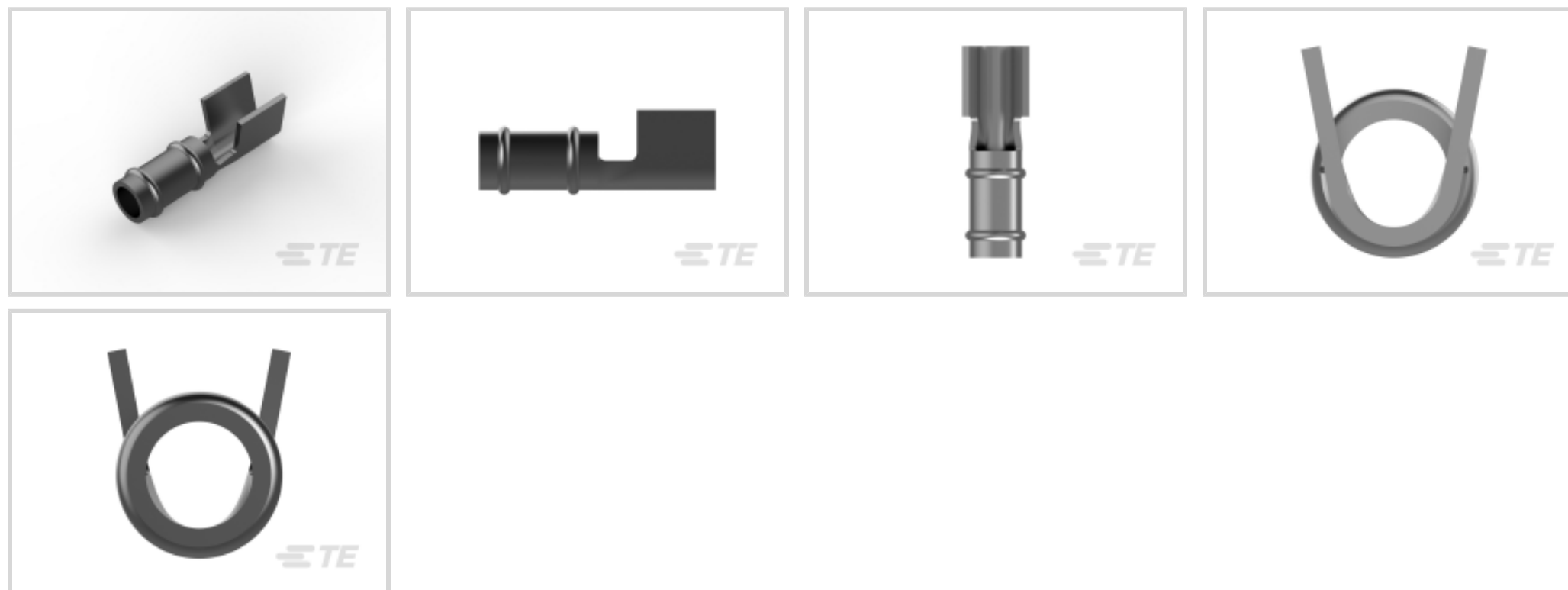
PCB Terminals, Receptacle, 22 – 17 AWG Wire Size, .3 – 1 mm<sup>2</sup>

Wire Size, Through Hole - Solder, Tin Plating, Copper, Bag,

Terminates To Wire & Cable

[View on TE.com >](#)

Terminals & Splices > PCB Terminals



PCB Terminal Type: **Receptacle**

Mating Pin Diameter: **1.47 mm [ .058 in ]**

Wire Size: **.3 – 1 mm<sup>2</sup>**

Termination Method to Printed Circuit Board: **Through Hole - Solder**

**Features**

**Product Type Features**

Terminal Features	Stud Hole
-------------------	-----------

**Contact Features**

PCB Terminal Type	Receptacle
Mating Pin Diameter	1.47 mm [.058 in]
Terminal Plating Material	Tin
Contact Underplating Material	Copper
Terminal Size	Miniature
Terminal Orientation	Straight

**Termination Features**

Termination Method to Printed Circuit Board	Through Hole - Solder
Product Terminates To	Wire & Cable

**Mechanical Attachment**

Wire Insulation Support	Without
-------------------------	---------

**Dimensions**

--	--



Terminal Material Thickness	.25 mm[.01 in]
-----------------------------	----------------

Wire Size	.3 – 1 mm <sup>2</sup>
-----------	------------------------

### Usage Conditions

Insulation Option	Uninsulated
-------------------	-------------

Operating Temperature Range	-55 – 105 °C[-67 – 221 °F]
-----------------------------	----------------------------

### Packaging Features

Packaging Quantity	1000
--------------------	------

Packaging Method	Bag
------------------	-----

### Product Compliance

[For compliance documentation, visit the product page on TE.com>](#)

EU RoHS Directive 2011/65/EU	Compliant
------------------------------	-----------

EU ELV Directive 2000/53/EC	Compliant
-----------------------------	-----------

China RoHS 2 Directive MIIT Order No 32, 2016	No Restricted Materials Above Threshold
---	---

EU REACH Regulation (EC) No. 1907/2006	Current ECHA Candidate List: JUNE 2023 (235) Candidate List Declared Against: JUNE 2023 (235) Does not contain REACH SVHC
--	---

Halogen Content	Low Halogen - Br, Cl, F, I < 900 ppm per homogenous material. Also BFR/CFR/PVC Free
-----------------	---

Solder Process Capability	Not applicable for solder process capability
---------------------------	--

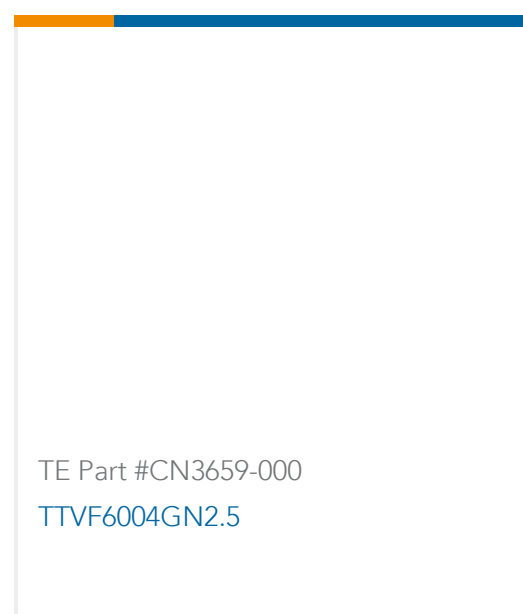
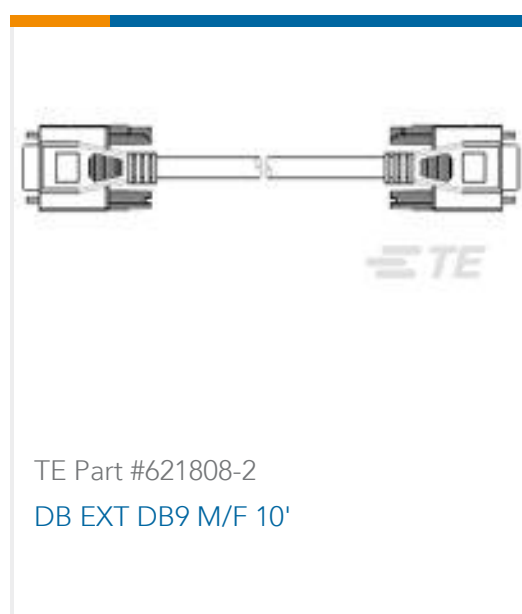
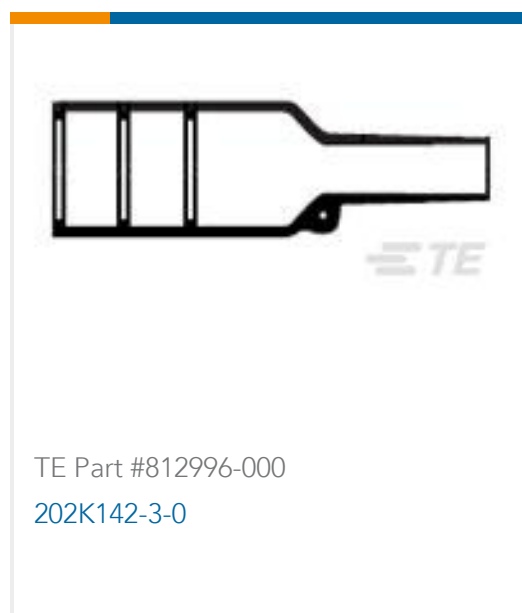
#### Product Compliance Disclaimer

This information is provided based on reasonable inquiry of our suppliers and represents our current actual knowledge based on the information they provided. This information is subject to change. The part numbers that TE has identified as EU RoHS compliant have a maximum concentration of 0.1% by weight in homogenous materials for lead, hexavalent chromium, mercury, PBB, PBDE, DBP, BBP, DEHP, DIBP, and 0.01% for cadmium, or qualify for an exemption to these limits as defined in the Annexes of Directive 2011/65/EU (RoHS2). Finished electrical and electronic equipment products will be CE marked as required by Directive 2011/65/EU. Components may not be CE marked. Additionally, the part numbers that TE has identified as EU ELV compliant have a maximum concentration of 0.1% by weight in homogenous materials for lead, hexavalent chromium, and mercury, and 0.01% for cadmium, or qualify for an exemption to these limits as defined in the Annexes of Directive 2000/53/EC (ELV). Regarding the REACH Regulation, the information TE provides on SVHC in articles for this part number is based on the latest European Chemicals Agency (ECHA) 'Guidance on requirements for substances in articles' posted at this URL: <https://echa.europa.eu/guidance-documents/guidance-on-reach>

### Compatible Parts



## Customers Also Bought



## Documents

### Product Drawings

058 PIN REC 010TPBECU

English

### CAD Files

3D PDF

3D

Customer View Model

ENG\_CVM\_CVM\_640024-1\_D.2d\_dxf.zip



English

**Customer View Model**

[ENG\\_CVM\\_CVM\\_640024-1\\_D.3d\\_igs.zip](#)

English

**Customer View Model**

[ENG\\_CVM\\_CVM\\_640024-1\\_D.3d\\_stp.zip](#)

English

**3D PDF**

English

**Customer View Model**

[ENG\\_CVM\\_640024-1\\_E.3d\\_igs.zip](#)

English

**Customer View Model**

[ENG\\_CVM\\_640024-1\\_E.3d\\_stp.zip](#)

English

**Customer View Model**

[ENG\\_CVM\\_640024-1\\_E.2d\\_dxf.zip](#)

English

By downloading the CAD file I accept and agree to the [Terms and Conditions](#) of use.

---

### Datasheets & Catalog Pages

**PRINTED CIRCUIT BOARD TERMINALS AND DISCONNECTS**

English

---

### Product Specifications

**Application Specification**

English

---

### Instruction Sheets

**Instruction Sheet (U.S.)**

English

**Instruction Sheet (U.S.)**

Japanese

**Instruction Sheet (U.S.)**

English

**Insertion/Extraction Tool**

English