

638245-1 ✓ ACTIVE

Junior Power Timer

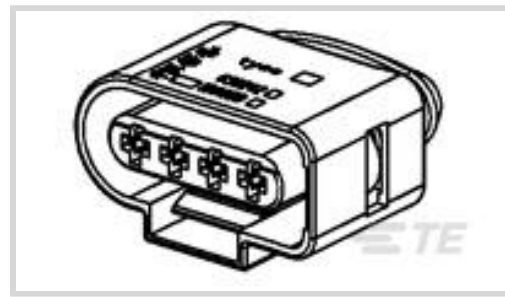
TE Internal #: 638245-1

Housing for Female Terminals, Wire-to-Wire, 4 Position, .236 in [6 mm] Centerline, Sealable, Black, Wire & Cable, Junior Power Timer

[View on TE.com >](#)



Connectors > Automotive Connectors > Automotive Housings > Timer Connector Housing



Connector System: **Wire-to-Wire**

Number of Positions: **4**

Connector & Housing Type: **Housing for Female Terminals**

Centerline (Pitch): **6 mm [.236 in]**

Sealable: **Yes**

[All Timer Connector Housing \(585\)](#)

Features

Product Type Features

Mixed & Hybrid Connector	No
Connector Shape	Rectangular
Connector System	Wire-to-Wire
Connector & Housing Type	Housing for Female Terminals
Sealable	Yes
Connector & Contact Terminates To	Wire & Cable
Primary Locking Feature	On the Terminal

Configuration Features

Number of Positions	4
Number of Rows	1

Body Features

Cable Exit Angle	180°
Primary Product Color	Black

Contact Features

Contact Size	2.8mm
Contact Type	Receptacle
Mating Tab Width	2.8 mm[.11 in]



Mechanical Attachment

Terminal Position Assurance	Yes
Strain Relief	Without
Mating Alignment Type	Polarized
Mating Alignment	With
Connector Mounting Type	Cable Mount (Free-Hanging)

Housing Features

Housing Material	PBT GF
Centerline (Pitch)	6 mm [.236 in]

Dimensions

Connector Height	33 mm [1.299 in]
Product Width	22.7 mm [.893 in]
Product Length	13.7 mm [.539 in]

Industry Standards

UL Flammability Rating	UL 94HB
------------------------	---------

Packaging Features

Packaging Method	Package
------------------	---------

Other

Serviceable	Yes
Connector Position Assurance Capable	No

Product Compliance

[For compliance documentation, visit the product page on TE.com>](#)

EU RoHS Directive 2011/65/EU	Compliant
EU ELV Directive 2000/53/EC	Compliant
China RoHS 2 Directive MIIT Order No 32, 2016	No Restricted Materials Above Threshold
EU REACH Regulation (EC) No. 1907/2006	Current ECHA Candidate List: JUNE 2023 (235) Candidate List Declared Against: JUNE 2023 (235) SVHC > Threshold: Octamethylcyclotetrasiloxane (D4) (.5% in Component Part) Dodecamethylcyclohexasiloxane (D6) (.5% in Component Part)



Decamethylcyclopentasiloxane (D5) (.5% in Component Part)

Article Safe Usage Statements:
Wash thoroughly after handling. Recycle if possible and dispose of the article by following all applicable governmental regulations relevant to your geographic location.

Halogen Content

BFR/CFR/PVC Free, but Br/Cl >900 ppm in other sources.

Solder Process Capability

Not reviewed for solder process capability

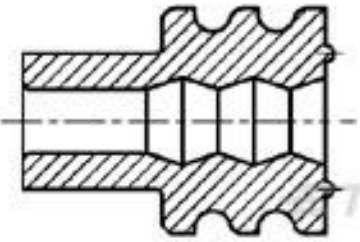
Product Compliance Disclaimer

This information is provided based on reasonable inquiry of our suppliers and represents our current actual knowledge based on the information they provided. This information is subject to change. The part numbers that TE has identified as EU RoHS compliant have a maximum concentration of 0.1% by weight in homogenous materials for lead, hexavalent chromium, mercury, PBB, PBDE, DBP, BBP, DEHP, DIBP, and 0.01% for cadmium, or qualify for an exemption to these limits as defined in the Annexes of Directive 2011/65/EU (RoHS2). Finished electrical and electronic equipment products will be CE marked as required by Directive 2011/65/EU. Components may not be CE marked. Additionally, the part numbers that TE has identified as EU ELV compliant have a maximum concentration of 0.1% by weight in homogenous materials for lead, hexavalent chromium, and mercury, and 0.01% for cadmium, or qualify for an exemption to these limits as defined in the Annexes of Directive 2000/53/EC (ELV). Regarding the REACH Regulation, the information TE provides on SVHC in articles for this part number is based on the latest European Chemicals Agency (ECHA) 'Guidance on requirements for substances in articles' posted at this URL: <https://echa.europa.eu/guidance-documents/guidance-on-reach>

Compatible Parts



TE Part # 963293-1
SEALING F JPT+2,8




TE Part # 963292-1
WIRE SEALING 2,2



TE Part # 963294-1
SINGLE WIRE SEAL INSULATION DI



TE Part # CAT-T4827-T273
TIMER, RECEPTACLE AND TAB



TE Part # 1534159-1
TAB HOUSING 2.8 4P,RD



TE Part # 2-964300-2
TAB A 2.8x0.8 CONTACT CF SWS Ag



TE Part # 4-964300-1
TAB A 2.8x0.8 CONTACT SWS

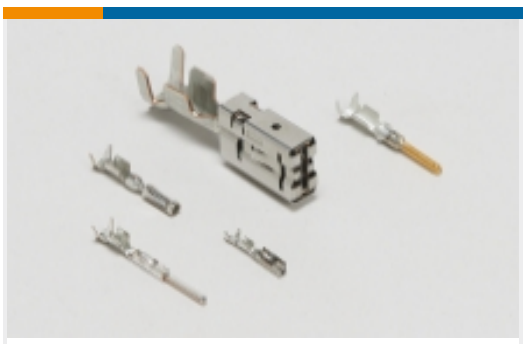
Also in the Series | [Junior Power Timer](#)



Automotive Connector Caps & Covers (5)



Automotive Housings(252)



Automotive Terminals(86)



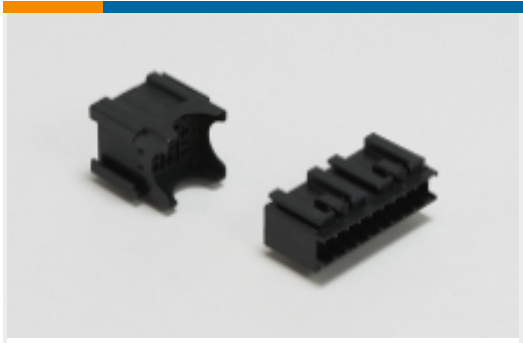
Busbars & Terminals(1)



Connector Seals & Cavity Plugs(10)



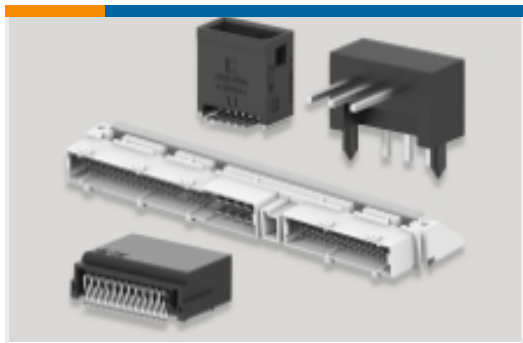
Insertion & Extraction Tools(8)



Module Components(6)

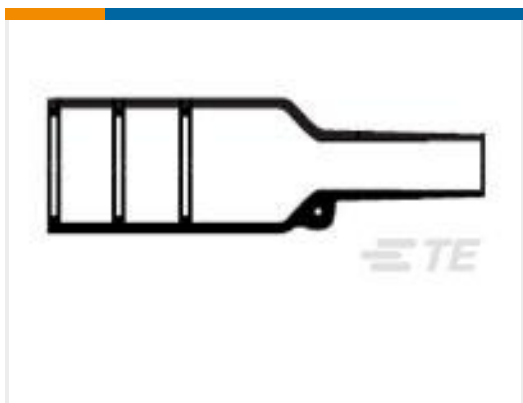


Other Automotive Connector Accessories(1)



PCB Headers & Receptacles(1)

Customers Also Bought



TE Part #879241-000
202K163-25/86-0



TE Part #282190-1
Timer Connector Housing



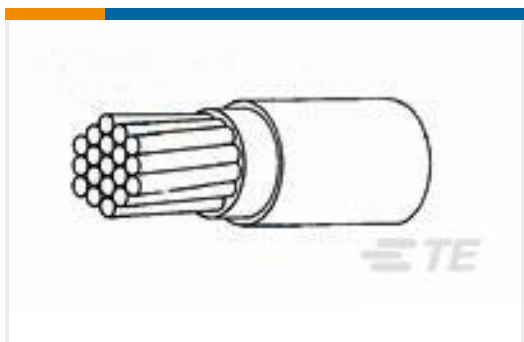
TE Part #1420000-1
32POS MQS REC



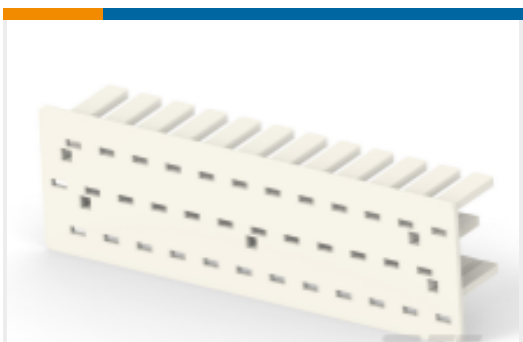
TE Part #963294-1
SINGLE WIRE SEAL INSULATION DI



TE Part #927775-1
JPT REC 2.8 Contact SRC Sn



TE Part #282004-000
44A0111-16-4



TE Part #344112-1
36W EMS.REC.ANTI-BACKOUT



TE Part #CJ6401-000
202K163-25/225-CS-2065-0



Documents

Product Drawings

[RECEPTACLE ASSY,4P SEALED,JPT](#)

English

CAD Files

Customer View Model

[ENG_CVM_638245-1_E.3d_igs.zip](#)

English

Customer View Model

[ENG_CVM_638245-1_E.3d_stp.zip](#)

English

Customer View Model

[ENG_CVM_638245-1_E.2d_dxf.zip](#)

English

3D PDF

English

By downloading the CAD file I accept and agree to the [Terms and Conditions](#) of use.

Datasheets & Catalog Pages

[Timer Interconnection System](#)

English

Product Environmental Compliance

[Product Compliance](#)

English

[Product Compliance](#)

English

Instruction Sheets

[Instruction Sheet \(U.S.\)](#)

English