

63771-1 ✓ ACTIVE

FASTON | FASTON 187

TE Internal #: 63771-1

Quick Disconnects, Tab, Mating Tab Width 4.75 mm [.187 in],
Straight, Steel, Nickel Plating, Strip/Reel, Open, Uninsulated,
FASTON 187

[View on TE.com >](#)



Terminals & Splices > Quick Disconnects



Quick Disconnect Terminal Type: **Tab**

Mating Tab Width: **4.75 mm [.187 in]**

Mating Tab Thickness: **.81 mm [.032 in]**

Terminal Orientation: **Straight**

Contact Base Material: **Steel**

Features

Configuration Features

Connection Capacity	Single
Compatible With Wire & Cable Type	Discrete Wire

Contact Features

Quick Disconnect Terminal Type	Tab
Mating Tab Width	4.75 mm [.187 in]
Mating Tab Thickness	.81 mm [.032 in]
Terminal Orientation	Straight
Contact Base Material	Steel
Terminal Plating Material	Nickel
Barrel Type	Open

Termination Features

Product Terminates To	Wire & Cable
-----------------------	--------------

Mechanical Attachment

Wire Insulation Support	Without
-------------------------	---------



Mating Retention Type	Dimple
-----------------------	--------

Dimensions

Terminal Material Thickness	.81 mm[.032 in]
Product Length	11.43 mm[.45 in]

Usage Conditions

Insulation Option	Uninsulated
Operating Temperature Range	-40 – 250 °C[-40 – 482 °F]

Industry Standards

Agency/Standard	UL
-----------------	----

Packaging Features

Packaging Quantity	1000
Packaging Method	Strip/Reel

Product Compliance

[For compliance documentation, visit the product page on TE.com>](#)

EU RoHS Directive 2011/65/EU	Compliant
EU ELV Directive 2000/53/EC	Compliant
China RoHS 2 Directive MIIT Order No 32, 2016	No Restricted Materials Above Threshold
EU REACH Regulation (EC) No. 1907/2006	Current ECHA Candidate List: JUNE 2023 (235) Candidate List Declared Against: JUNE 2023 (235) Does not contain REACH SVHC
Halogen Content	Low Halogen - Br, Cl, F, I < 900 ppm per homogenous material. Also BFR/CFR/PVC Free
Solder Process Capability	Not applicable for solder process capability

Product Compliance Disclaimer

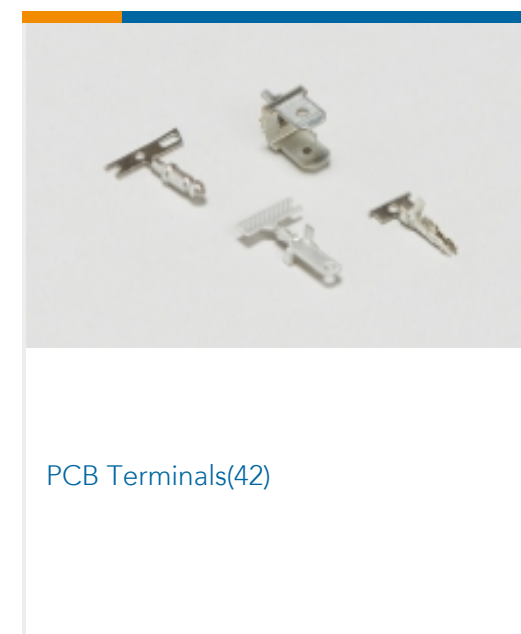
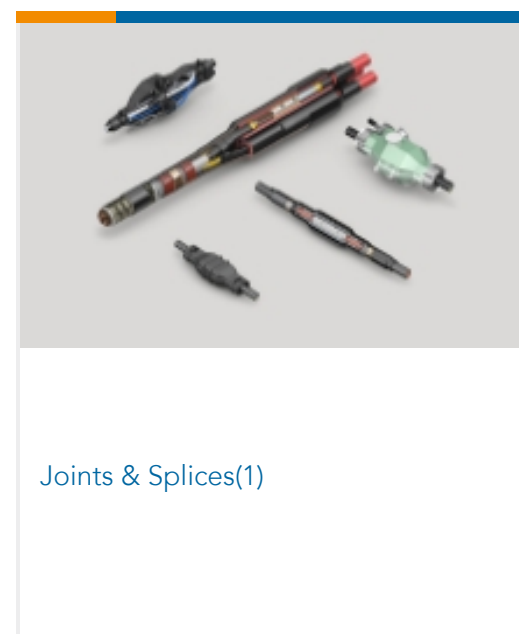
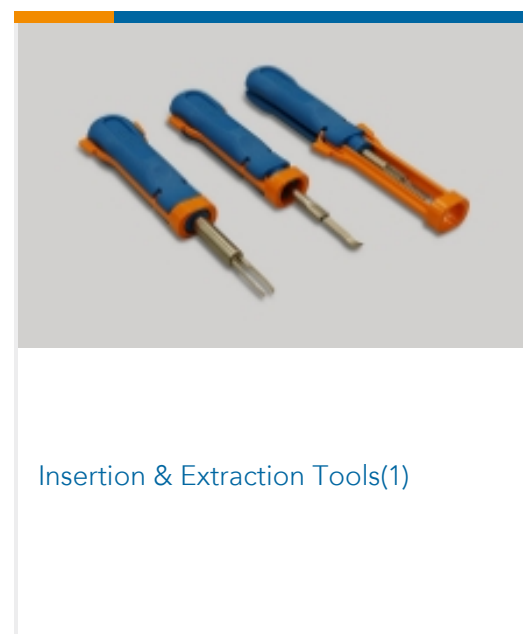
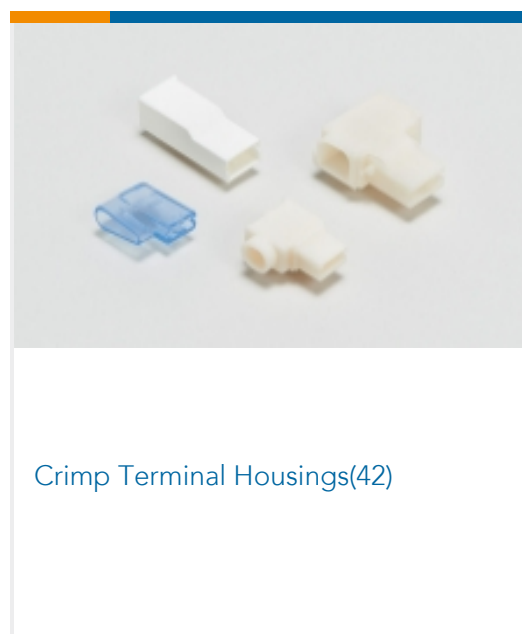
This information is provided based on reasonable inquiry of our suppliers and represents our current actual knowledge based on the information they provided. This information is subject to change. The part numbers that TE has identified as EU RoHS compliant have a maximum concentration of 0.1% by weight in homogenous materials for lead, hexavalent chromium, mercury, PBB, PBDE, DBP, BBP, DEHP, DIBP, and 0.01% for cadmium, or qualify for an exemption to these limits as defined in the Annexes of Directive 2011/65/EU (RoHS2). Finished electrical and electronic equipment products will be CE marked as required by Directive 2011/65/EU. Components may not be CE marked. Additionally, the part numbers that TE has identified as EU ELV compliant have a maximum concentration of 0.1% by weight in homogenous materials for lead, hexavalent chromium, and mercury, and 0.01% for cadmium, or qualify for an exemption to these limits as defined in the Annexes of Directive 2000/53/EC (ELV). Regarding the REACH Regulation, the information TE provides

on SVHC in articles for this part number is based on the latest European Chemicals Agency (ECHA) 'Guidance on requirements for substances in articles' posted at this URL: <https://echa.europa.eu/guidance-documents/guidance-on-reach>

Compatible Parts



Also in the Series | FASTON 187



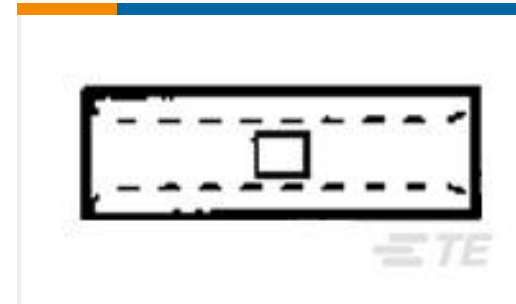
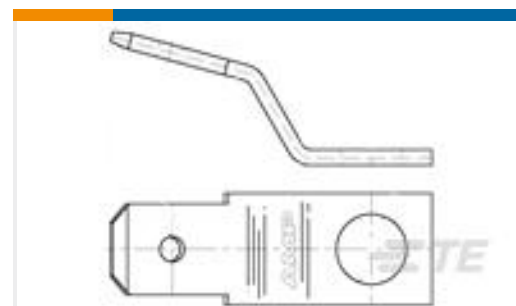
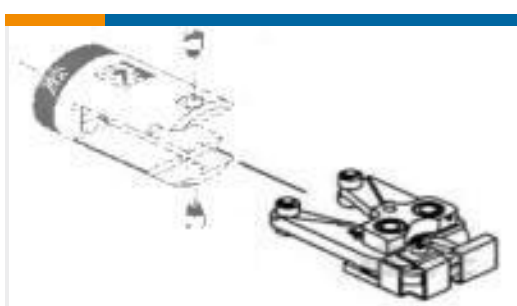


Quick Disconnects(209)



Splices(1)

Customers Also Bought

TE Part #321884
TERM, STRAT,SOLIS, HT, 22-16, #4TE Part #60617-1
CMNL SOK SNBR L/PTE Part #350550-1
UMNL SOK 20-14 PTPBR L/PTE Part #322326
SPLICE,SOLIS PARA HT 22-16TE Part #2-34107-2
SOLIS R 22-16 COMM 22-18 MIL 6TE Part #8-1437565-1
FSMCTATR=TACTILE SWITCH T&RTE Part #62162-1
187 FASTON TAB TPBRTE Part #356302-1
LARGE TOOL HOLDER W/RATCHETTE Part #679301-1
22-10 SOLISTRAND CRIMP HEAD

Documents

Product Drawings

187 FASTON TAB NPST

English

CAD Files

3D PDF

3D

Customer View Model

ENG_CVM_CVM_63771-1_D.2d_dxf.zip



English

Customer View Model

[ENG_CVM_CVM_63771-1_D.3d_igs.zip](#)

English

Customer View Model

[ENG_CVM_CVM_63771-1_D.3d_stp.zip](#)

English

By downloading the CAD file I accept and agree to the [Terms and Conditions](#) of use.

Datasheets & Catalog Pages

FASTON Tabs

English

Product Specifications

Application Specification

English