

63701-1 ✓ ACTIVE

TE Internal #: 63701-1

Quick Disconnects, Tab, 20 – 16 AWG Wire Size, .51 – 1.31 mm²

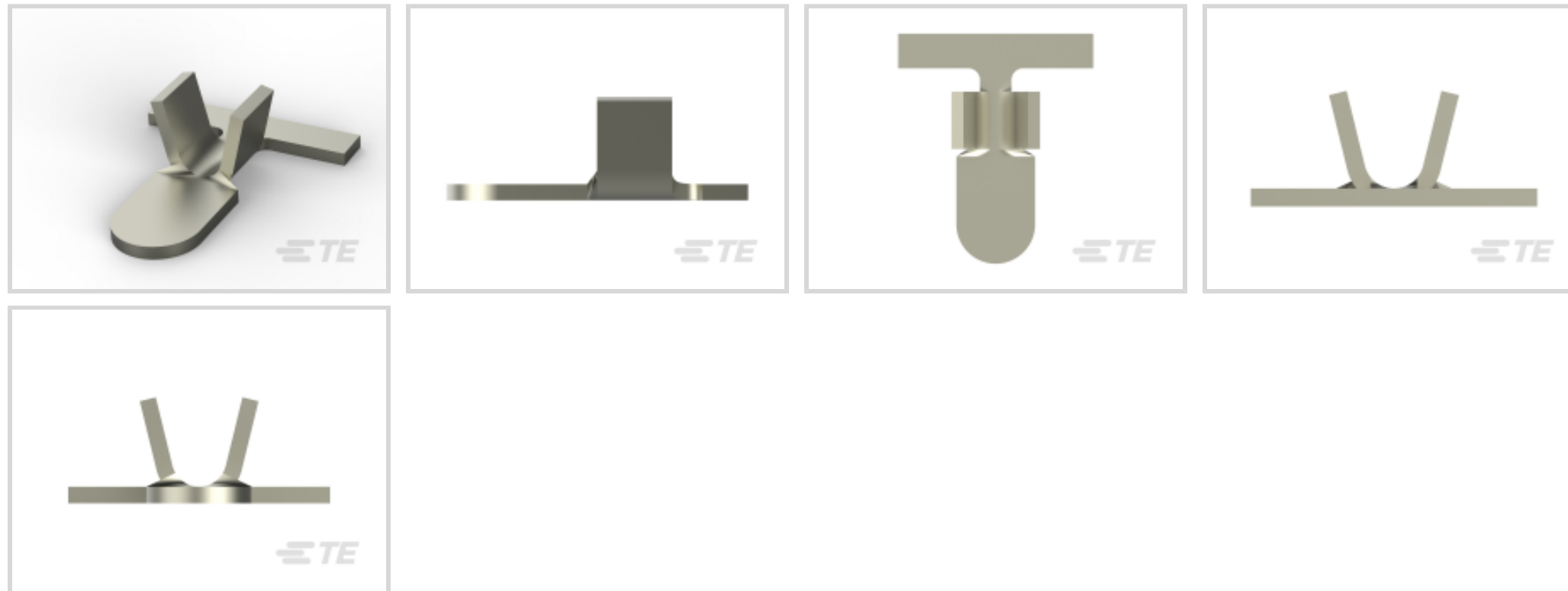
Wire Size, Straight, Steel, Nickel Plating, Strip/Reel, C-Crimp,

Open, Uninsulated

[View on TE.com >](#)



Terminals & Splices > Quick Disconnects



Quick Disconnect Terminal Type: **Tab**

Wire Size: **.51 – 1.31 mm²**

Terminal Orientation: **Straight**

Contact Base Material: **Steel**

Features

Configuration Features

Compatible With Wire & Cable Type

Discrete Wire

Contact Features

Quick Disconnect Terminal Type

Tab

Terminal Orientation

Straight

Contact Base Material

Steel

Terminal Plating Material

Nickel

Crimp Type

C-Crimp

Barrel Type

Open

Termination Features

Product Terminates To

Wire & Cable

Mechanical Attachment

Wire Insulation Support

Without

Mating Retention Type

Dimple

Dimensions

Terminal Material Thickness

.51 mm[.02 in]



Product Length	6.86 mm[.27 in]
----------------	-----------------

Wire Size	.51 – 1.31 mm ²
-----------	----------------------------

Usage Conditions

Insulation Option	Uninsulated
-------------------	-------------

Operating Temperature Range	-40 – 250 °C[-40 – 482 °F]
-----------------------------	----------------------------

Industry Standards

Agency/Standard	UL
-----------------	----

Packaging Features

Packaging Quantity	20000
--------------------	-------

Packaging Method	Strip/Reel
------------------	------------

Other

Terminals & Splices Comment	Dimple up.
-----------------------------	------------

Product Compliance

[For compliance documentation, visit the product page on TE.com>](#)

EU RoHS Directive 2011/65/EU	Compliant
------------------------------	-----------

EU ELV Directive 2000/53/EC	Compliant
-----------------------------	-----------

China RoHS 2 Directive MIIT Order No 32, 2016	No Restricted Materials Above Threshold
---	---

EU REACH Regulation (EC) No. 1907/2006	Current ECHA Candidate List: JUNE 2023 (235) Candidate List Declared Against: JUNE 2023 (235) Does not contain REACH SVHC
--	---

Halogen Content	Low Halogen - Br, Cl, F, I < 900 ppm per homogenous material. Also BFR/CFR/PVC Free
-----------------	---

Solder Process Capability	Not applicable for solder process capability
---------------------------	--

Product Compliance Disclaimer

This information is provided based on reasonable inquiry of our suppliers and represents our current actual knowledge based on the information they provided. This information is subject to change. The part numbers that TE has identified as EU RoHS compliant have a maximum concentration of 0.1% by weight in homogenous materials for lead, hexavalent chromium, mercury, PBB, PBDE, DBP, BBP, DEHP, DIBP, and 0.01% for cadmium, or qualify for an exemption to these limits as defined in the Annexes of Directive 2011/65/EU (RoHS2). Finished electrical and electronic equipment products will be CE marked as required by Directive 2011/65/EU. Components may not be CE marked. Additionally, the part numbers that TE has identified as EU ELV compliant have a maximum concentration of 0.1% by weight in homogenous materials for lead, hexavalent chromium, and mercury, and 0.01% for cadmium, or qualify for an exemption to these limits as defined in the Annexes of Directive 2000/53/EC (ELV). Regarding the REACH Regulation, the information TE provides on SVHC in articles for this part number is based on the latest European Chemicals Agency (ECHA) 'Guidance on requirements for substances in articles' posted at this URL: <https://echa.europa.eu/guidance-documents/guidance-on-reach>

Compatible Parts



TE Part # 61148-1
BRUSH HOLDER AMPLIVAR 22-17 AWG PHBZ



TE Part # 62827-1
WELD TAB 24-22 AWG SST



TE Part # 40990-1
WELD TAB TAB 20-16 AWG TPSTL



TE Part # 62008-1
BRUSH CONTACT TAB 20-14 AWG PHBZ



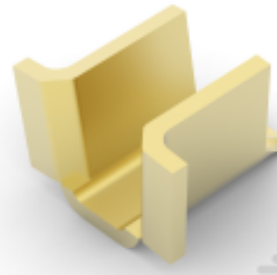
TE Part # 62009-1
BRUSH CONTACT TAB 20-14 AWG PHBZ



TE Part # 63257-1
CONTACT TERMINAL 22-18 AWG TPBR



TE Part # 63257-2
CONTACT TERMINAL 22-18 AWG TPBR



TE Part # 40662
BUTT CONT 20-16 .020BR



TE Part # 40990
WELD TAB IS 22-18 020STST



TE Part # 60581-1
WELD TAB 20-16 020 TPSTL



TE Part # 62134-2
CONTACT 18-14 AWG NPSTL



TE Part # 62153-1
WELD TAB 20-16 AWG TPSTL

Customers Also Bought



TE Part #5227726-3
ISOLATED BNC SOLDER JACK ASSY



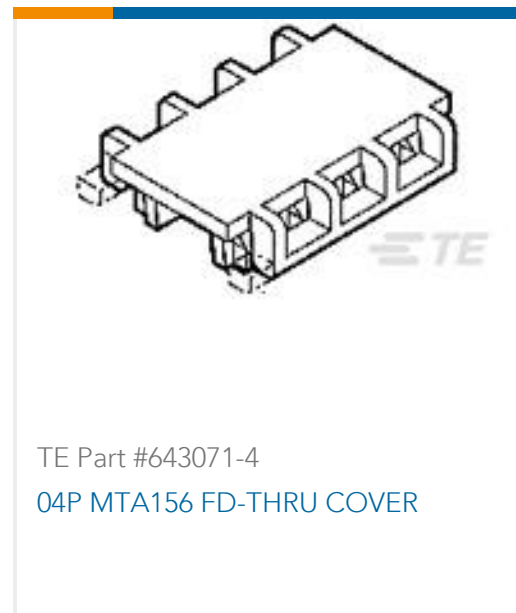
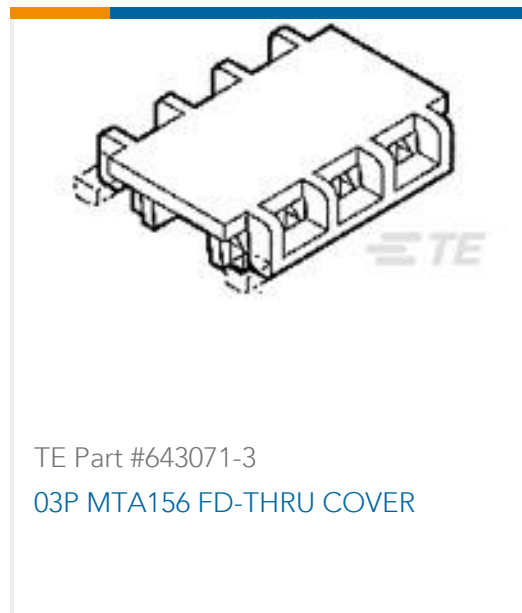
TE Part #3-644540-2
Nylon Tin Plated Receptacle: 2.54 mm, with Mating Alignment, MTA 100



TE Part #643077-2
Nylon PCB Connector Covers: 2.54 mm, MTA 100



TE Part #3-640599-3
03P MTA156 CONN ASSY 18AWG ORA



Documents

Product Drawings

[WELD TAB 20-16 AWG NPSTL](#)

English

CAD Files

[3D PDF](#)

3D

Customer View Model

[ENG_CVM_CVM_63701-1_C.2d_dxf.zip](#)

English

Customer View Model

[ENG_CVM_CVM_63701-1_C.3d_igs.zip](#)

English

Customer View Model

[ENG_CVM_CVM_63701-1_C.3d_stp.zip](#)

English

By downloading the CAD file I accept and agree to the [Terms and Conditions](#) of use.

Product Environmental Compliance

[Product Compliance Document](#)

English

[Product Compliance Document](#)

English