

63483-1 ✓ ACTIVE

FASTON | FASTON 250

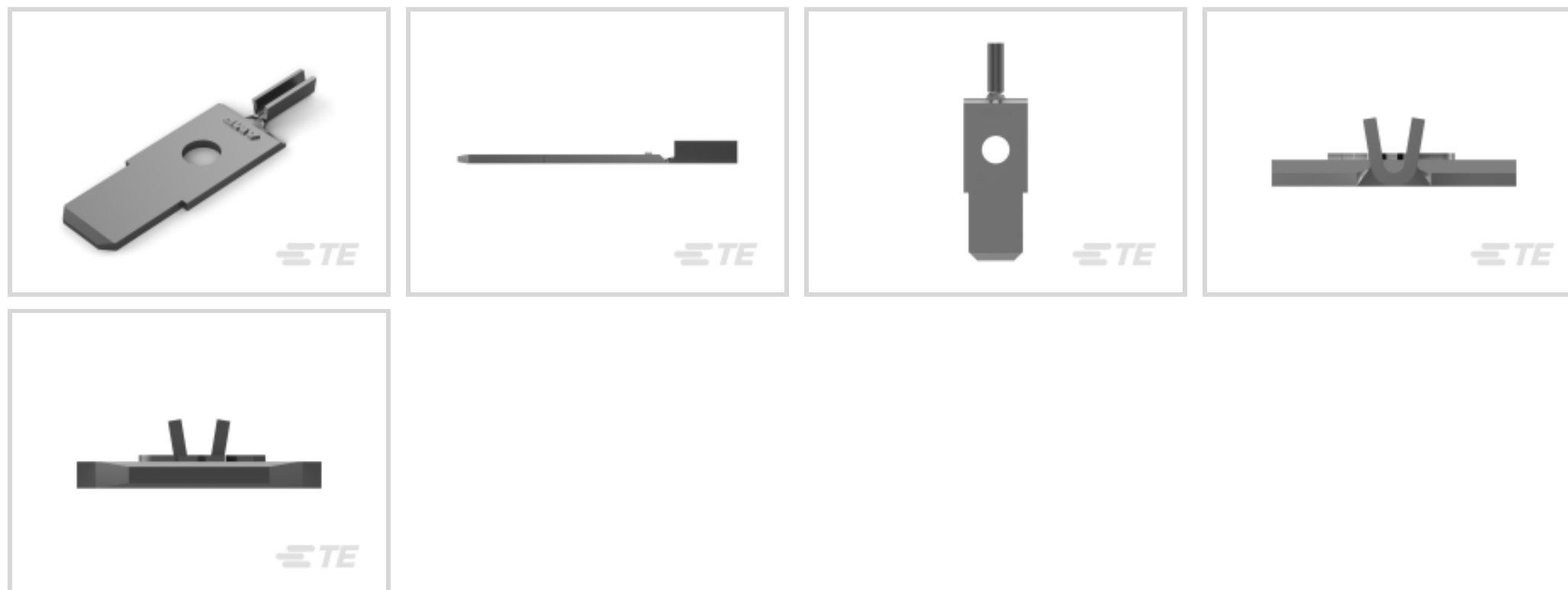
TE Internal #: 63483-1

PCB Terminals, Tab, Mating Tab Width .25 in [6.35 mm], 28 – 23
AWG Wire Size, .35 – .57 mm² Wire Size, Tin Plating, Brass, Reel,
FASTON 250

[View on TE.com >](#)



Terminals & Splices > PCB Terminals



PCB Terminal Type: **Tab**

Mating Tab Width: **6.35 mm [.25 in]**

Mating Tab Thickness: **.81 mm [.032 in]**

Wire Size: **.35 – .57 mm²**

Features

Product Type Features

Terminal Features	Stud Hole
Wire Insulation Support Retention Type	Open Barrel

Configuration Features

Connection Capacity	Single
---------------------	--------

Contact Features

Contact Mating Area Plating Material Thickness	2.03 – 6.35 μm[80 – 250 μin]
PCB Terminal Type	Tab
Mating Tab Width	6.35 mm[.25 in]
Mating Tab Thickness	.81 mm[.032 in]
Terminal Plating Material	Tin
Contact Underplating Material	Brass
Terminal Size	6.35
Terminal Orientation	Straight

Termination Features

--	--



Product Terminates To	Printed Circuit Board, Wire & Cable
-----------------------	-------------------------------------

Mechanical Attachment

Wire Insulation Support	Without
-------------------------	---------

Dimensions

Terminal Material Thickness	.81 mm [.032 in]
-----------------------------	------------------

Stud Diameter	3.18 mm [.125 in]
---------------	-------------------

Wire Size	.35 – .57 mm ²
-----------	---------------------------

Usage Conditions

Insulation Option	Uninsulated
-------------------	-------------

Operating Temperature Range	-30 – 110 °C [-22 – 230 °F]
-----------------------------	-----------------------------

Packaging Features

Packaging Quantity	5000
--------------------	------

Packaging Method	Reel
------------------	------

Product Compliance

[For compliance documentation, visit the product page on TE.com>](#)

EU RoHS Directive 2011/65/EU	Compliant
------------------------------	-----------

EU ELV Directive 2000/53/EC	Compliant
-----------------------------	-----------

China RoHS 2 Directive MIIT Order No 32, 2016	No Restricted Materials Above Threshold
---	---

EU REACH Regulation (EC) No. 1907/2006	Current ECHA Candidate List: JUNE 2023 (235) Candidate List Declared Against: JUNE 2023 (235) Does not contain REACH SVHC
--	---

Halogen Content	Low Halogen - Br, Cl, F, I < 900 ppm per homogenous material. Also BFR/CFR/PVC Free
-----------------	---

Solder Process Capability	Not applicable for solder process capability
---------------------------	--

Product Compliance Disclaimer

This information is provided based on reasonable inquiry of our suppliers and represents our current actual knowledge based on the information they provided. This information is subject to change. The part numbers that TE has identified as EU RoHS compliant have a maximum concentration of 0.1% by weight in homogenous materials for lead, hexavalent chromium, mercury, PBB, PBDE, DBP, BBP, DEHP, DIBP, and 0.01% for cadmium, or qualify for an exemption to these limits as defined in the Annexes of Directive 2011/65/EU (RoHS2). Finished electrical and electronic equipment products will be CE marked as required by Directive 2011/65/EU. Components may not be CE marked. Additionally, the part numbers that TE has identified as EU ELV compliant have a maximum concentration of 0.1% by weight in homogenous materials for lead, hexavalent chromium, and mercury, and 0.01% for cadmium, or qualify for an exemption to these limits as defined in the Annexes of Directive 2000/53/EC (ELV). Regarding the REACH Regulation, the information TE provides on SVHC in articles for this part number is based on the latest European Chemicals Agency (ECHA) 'Guidance on

requirements for substances in articles' posted at this URL: <https://echa.europa.eu/guidance-documents/guidance-on-reach>

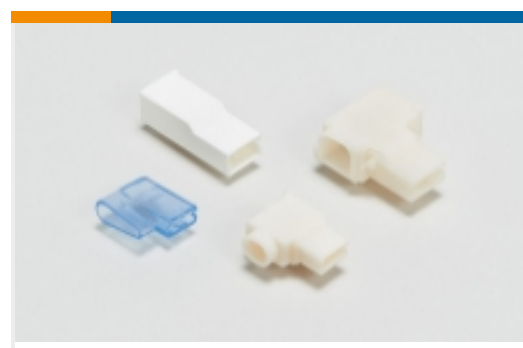
Compatible Parts



Also in the Series | **FASTON 250**



Compression Connectors(4)



Crimp Terminal Housings(142)



Insertion & Extraction Tools(6)



Magnet Wire Terminals(1)



PCB Terminals(135)

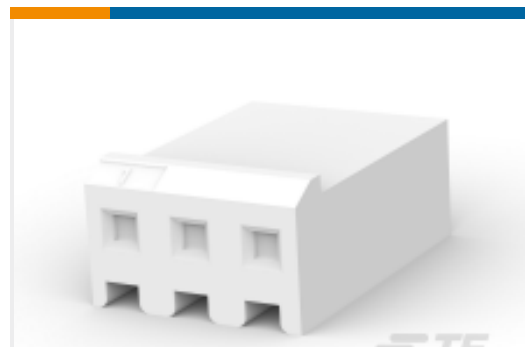


Quick Disconnects(445)

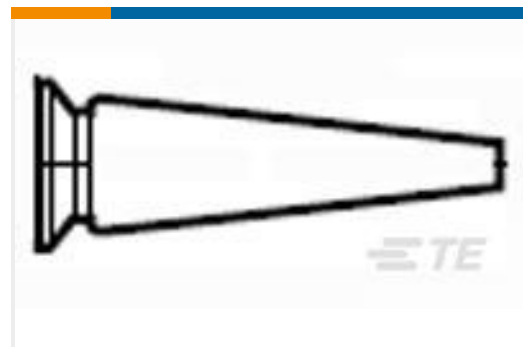


Splices(4)

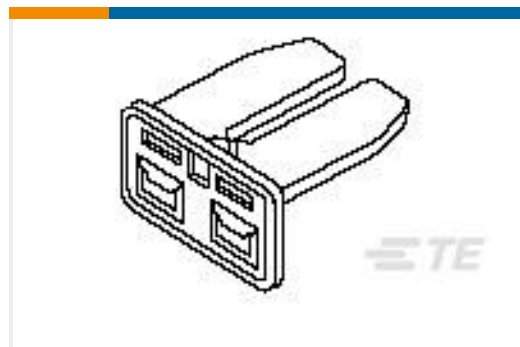
Customers Also Bought



TE Part #770849-6
Receptacle Housing: Wire-to-Board, with Mating Alignment, SL156



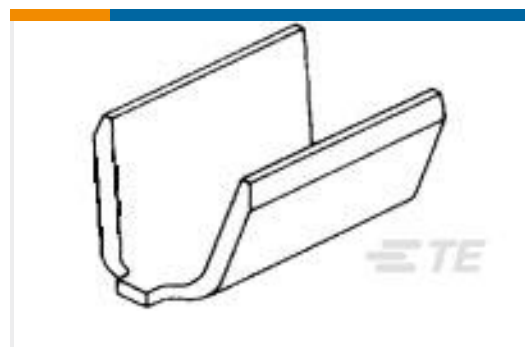
TE Part #640254-1
KEYING PLUG .045 SQ PST CONN



TE Part #174353-7
070 ECONOSEAL MARK-2 PLATE 2P



TE Part #42511-2
250 FASTON FLAG REC 18-12 AWG TPBR



TE Part #42329-1
SPLICE 1200-2600 .012 NPST



TE Part #6-1971793-5
NEW GI CONN2.5 PLUG HSG 6P BLK



TE Part #2217000-2
MODEL G II CE TERMINATOR, W /COM



TE Part #2329914-1
Power Versa-Lock SEAL RECPT, 18-20 AWG



TE Part #2334614-2
Power Versa-Lock BACK COVER 2P

Documents



Product Drawings

[FAST,AMPLIVAR .250 TAB 200-566 CMA TPBR](#)

English

CAD Files

[3D PDF](#)

3D

Customer View Model

[ENG_CVM_CVM_63483-1_L.2d_dxf.zip](#)

English

Customer View Model

[ENG_CVM_CVM_63483-1_L.3d_igs.zip](#)

English

Customer View Model

[ENG_CVM_CVM_63483-1_L.3d_stp.zip](#)

English

By downloading the CAD file I accept and agree to the [Terms and Conditions](#) of use.