

63481-1 ✓ ACTIVE

FASTON | FASTON 250

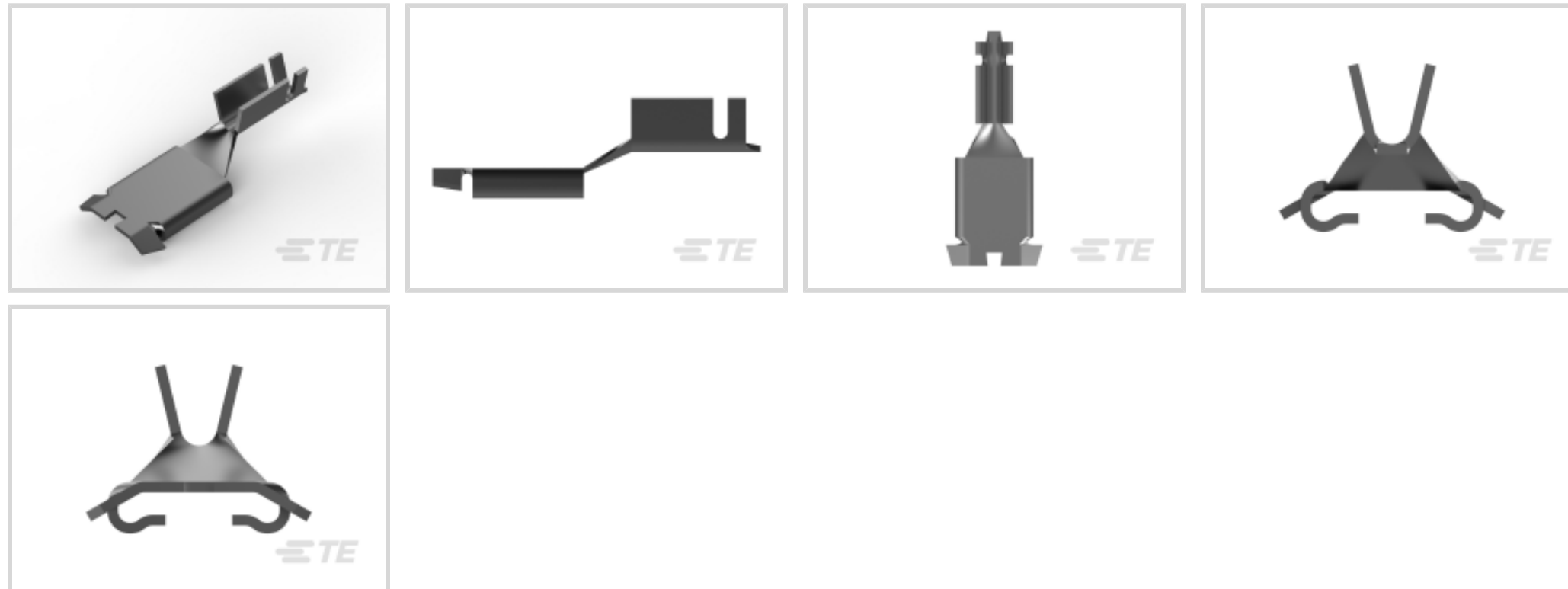
TE Internal #: 63481-1

Quick Disconnects, Receptacle, 21 – 15 AWG Wire Size, .41 – 1.65 mm² Wire Size, Straight, Brass, Tin Plating, Reel, F-Crimp, Open, FASTON 250

[View on TE.com >](#)



Terminals & Splices > Quick Disconnects



Quick Disconnect Terminal Type: **Receptacle**

Wire Size: **.41 – 1.65 mm²**

Terminal Orientation: **Straight**

Contact Base Material: **Brass**

Features

Product Type Features

Compatible With Discrete Wire Type	Magnet Wire
Insertion Force	Normal

Configuration Features

Connection Capacity	Single
---------------------	--------

Contact Features

Quick Disconnect Terminal Type	Receptacle
Terminal Orientation	Straight
Contact Base Material	Brass
Terminal Plating Material	Tin
Crimp Type	F-Crimp
Barrel Type	Open

Termination Features

Product Terminates To	Wire & Cable
-----------------------	--------------

Mechanical Attachment



Wire Insulation Support	With
-------------------------	------

Dimensions

Terminal Material Thickness	.46 mm[.018 in]
Product Length	26.16 mm[1.03 in]
Compatible Insulation Diameter Range	1.52 mm[.06 in]
Wire Size	.41 – 1.65 mm ²

Usage Conditions

Insulation Option	Uninsulated
-------------------	-------------

Packaging Features

Packaging Quantity	3000
Packaging Method	Reel

Product Compliance

[For compliance documentation, visit the product page on TE.com>](#)

EU RoHS Directive 2011/65/EU	Compliant
EU ELV Directive 2000/53/EC	Compliant
China RoHS 2 Directive MIIT Order No 32, 2016	No Restricted Materials Above Threshold
EU REACH Regulation (EC) No. 1907/2006	Current ECHA Candidate List: JUNE 2023 (235) Candidate List Declared Against: JUNE 2023 (235) Does not contain REACH SVHC
Halogen Content	Low Halogen - Br, Cl, F, I < 900 ppm per homogenous material. Also BFR/CFR/PVC Free
Solder Process Capability	Pin-in-Paste capable to 260°C

Product Compliance Disclaimer

This information is provided based on reasonable inquiry of our suppliers and represents our current actual knowledge based on the information they provided. This information is subject to change. The part numbers that TE has identified as EU RoHS compliant have a maximum concentration of 0.1% by weight in homogenous materials for lead, hexavalent chromium, mercury, PBB, PBDE, DBP, BBP, DEHP, DIBP, and 0.01% for cadmium, or qualify for an exemption to these limits as defined in the Annexes of Directive 2011/65/EU (RoHS2). Finished electrical and electronic equipment products will be CE marked as required by Directive 2011/65/EU. Components may not be CE marked. Additionally, the part numbers that TE has identified as EU ELV compliant have a maximum concentration of 0.1% by weight in homogenous materials for lead, hexavalent chromium, and mercury, and 0.01% for cadmium, or qualify for an exemption to these limits as defined in the Annexes of Directive 2000/53/EC (ELV). Regarding the REACH Regulation, the information TE provides on SVHC in articles for this part number is based on the latest European Chemicals Agency (ECHA) 'Guidance on requirements for substances in articles' posted at this URL: <https://echa.europa.eu/guidance-documents/guidance-on-reach>

Compatible Parts



TE Part # 62447-1
187 AMVAR FFTABFLT 020TPBR



TE Part # 60384-2
.250 FAST REC IS 1000 TPBR



TE Part # 1217955-1
.187 FAST FL AMVAR 0157 TPBR



TE Part # 1742944-1
RCPT 250 FLG FAST AMVAR TPPHBZ



TE Part # 1742979-1
250FAST FLG RCPT AMVAR TPBR
CMA4000-8500



TE Part # 1217417-1
RCPT.187 FL/FAST AMVR .157TPB



TE Part # 63480-1
RCPT STATOR 27-22 0173PTPBR



TE Part # 63623-2
RCPT AMVAR 250FAST LIF 016TPBR




TE Part # 63944-1
RCPT 250 FLG FAST AMVAR TPPHBZ

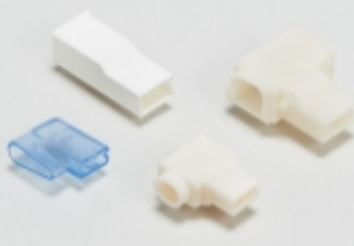


TE Part # 63964-1
REC STATOR 2800/7400 PTPBR


Also in the Series | FASTON 250



Compression Connectors(4)




Crimp Terminal Housings(142)




Insertion & Extraction Tools(6)



Magnet Wire Terminals(1)



PCB Terminals(135)

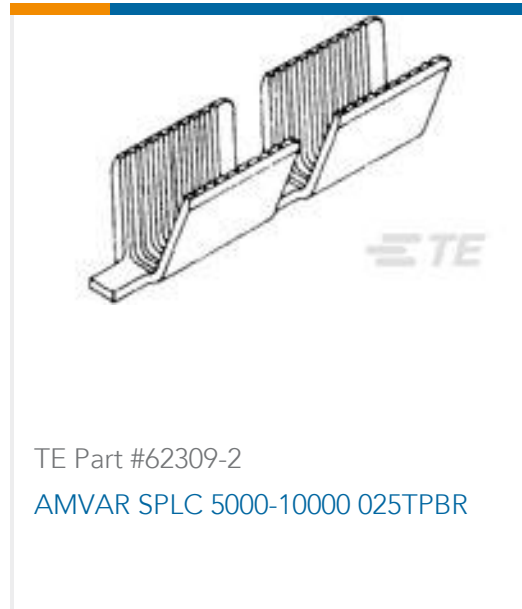


Quick Disconnects(445)



Splices(4)

Customers Also Bought



Documents

Product Drawings

[RCPT STATOR 21-15 0173PTPBR](#)

English

[RCPT STATOR 21-15 0173PTPBR](#)

English

CAD Files

[3D PDF](#)

3D

Customer View Model

[ENG_CVM_CVM_63481-1_L.2d_dxf.zip](#)

English

Customer View Model

[ENG_CVM_CVM_63481-1_L.3d_igs.zip](#)

English

Customer View Model

[ENG_CVM_CVM_63481-1_L.3d_stp.zip](#)

English

By downloading the CAD file I accept and agree to the [Terms and Conditions](#) of use.

Product Specifications

[Application Specification](#)

English

[AMPLIVAR Stator Receptacles with FASTON Mating End](#)

English

Product Environmental Compliance

[Product Compliance](#)

English

[Product Compliance](#)

English